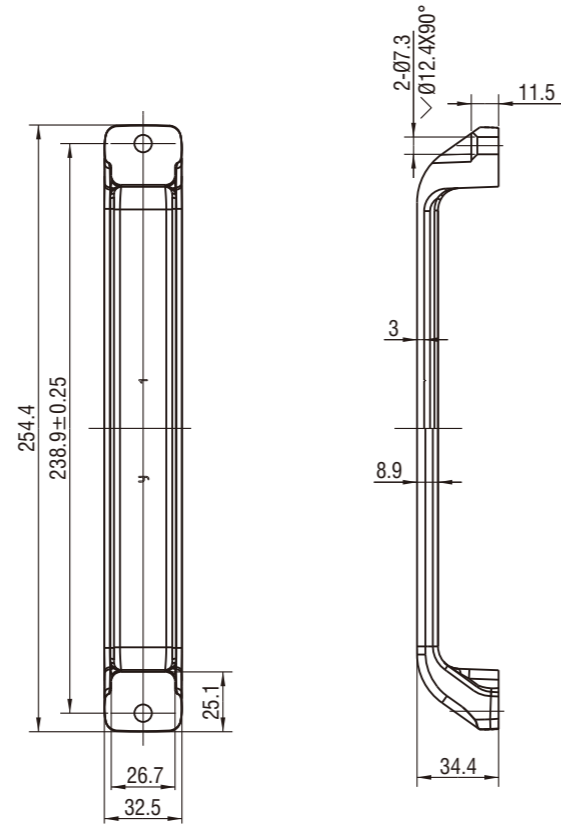


# U shape Handle

6412, 6424

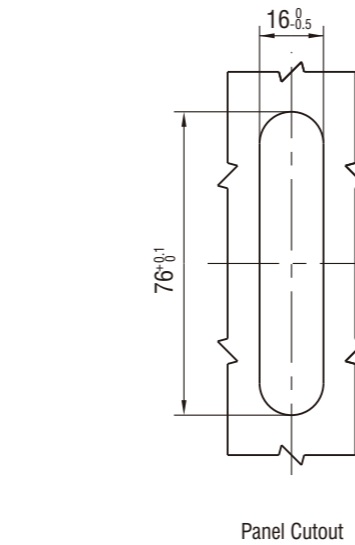
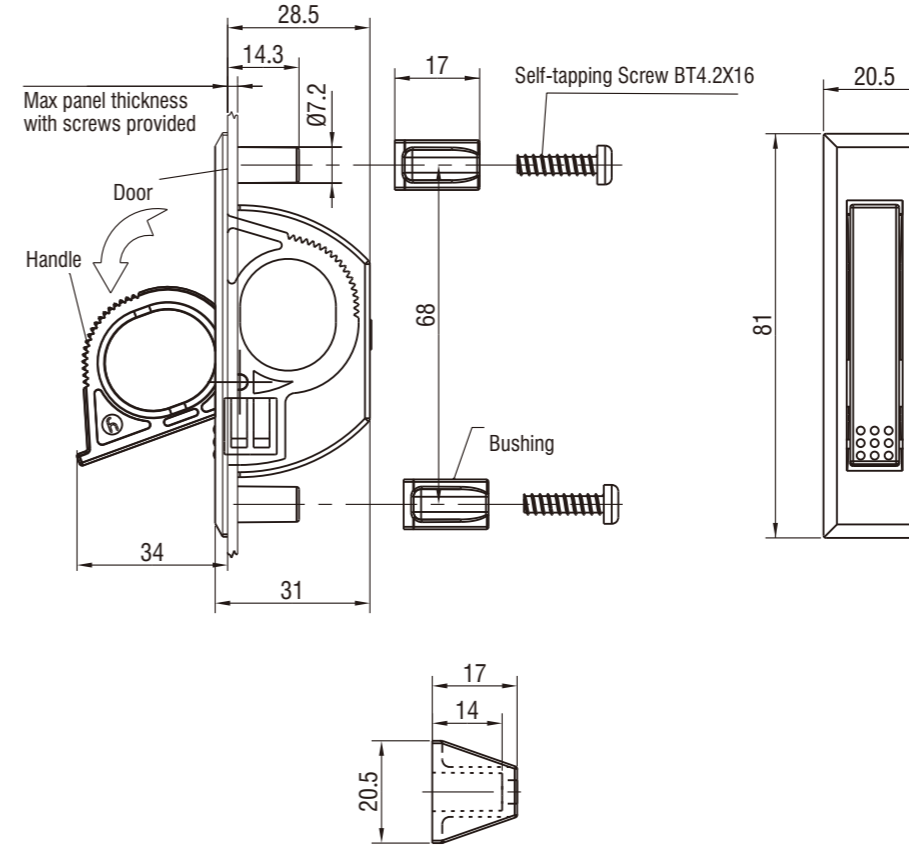


Zinc die, black smooth powder coated

Center Distance	Part Number
L=238.85	6412-478-20

# Concealed Pull Assembly

6414



Pa6 handle and housing, POM bushing, SUS304 self-tapping screw and pin, black finish

Middle Size	Part Number
	6414-136-180