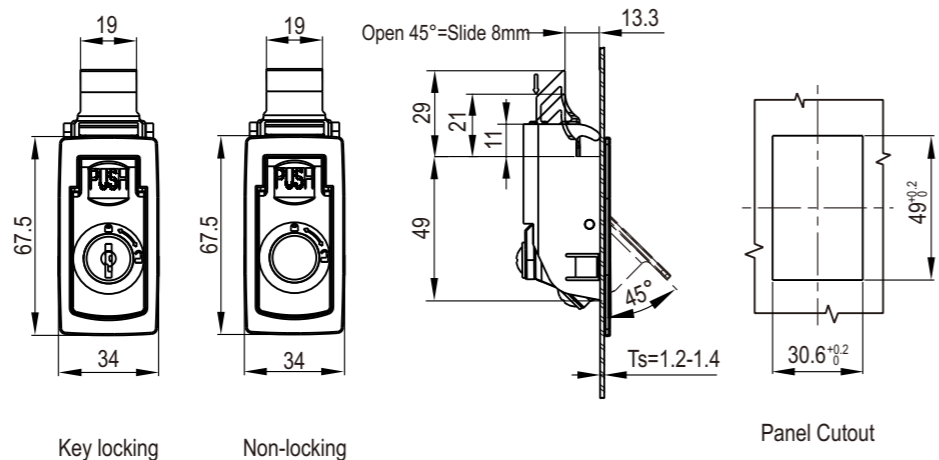


Snap-in Slide Latch

2504、2508

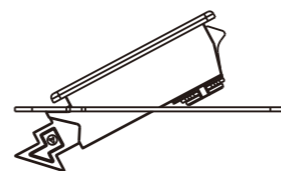
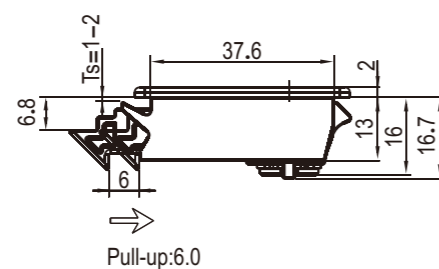
Index

Locks

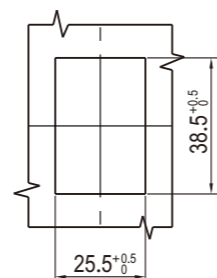
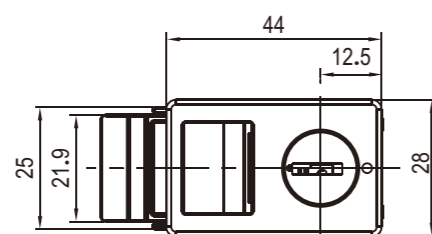


Black PA+GF

Key locking (YK333)	2504-20
Non-locking	2504-00



Installation diagram



Panel Cutout

black PA housing, cam, insert; YK333 key

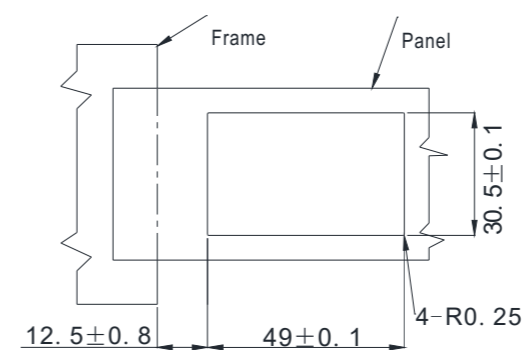
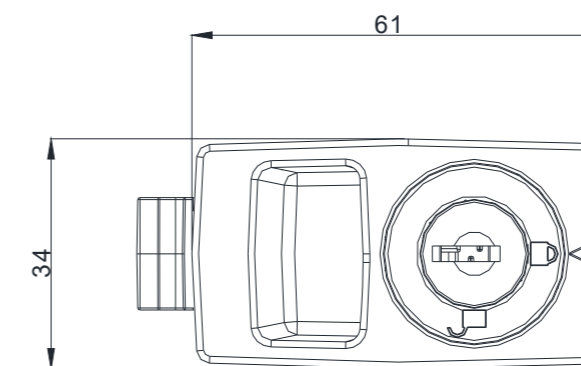
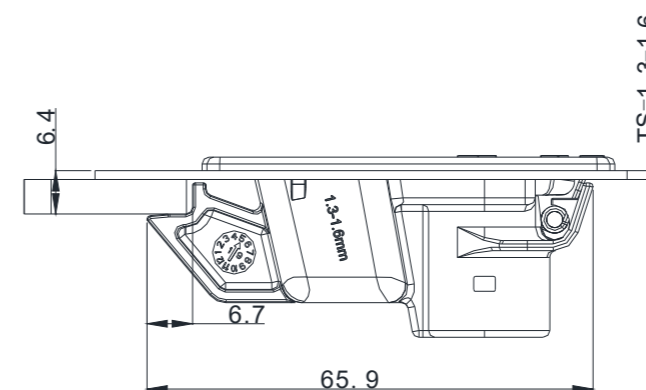
Black PA	2508-40
----------	---------

Slam Latch

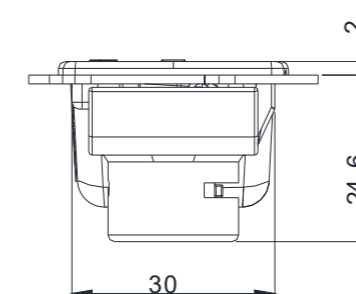
2510

Index

Locks



Panel Cutout



NEW



Plastic body, CH751 key

Black	2510-20-26-180
-------	----------------