

# Screw-on Hinge

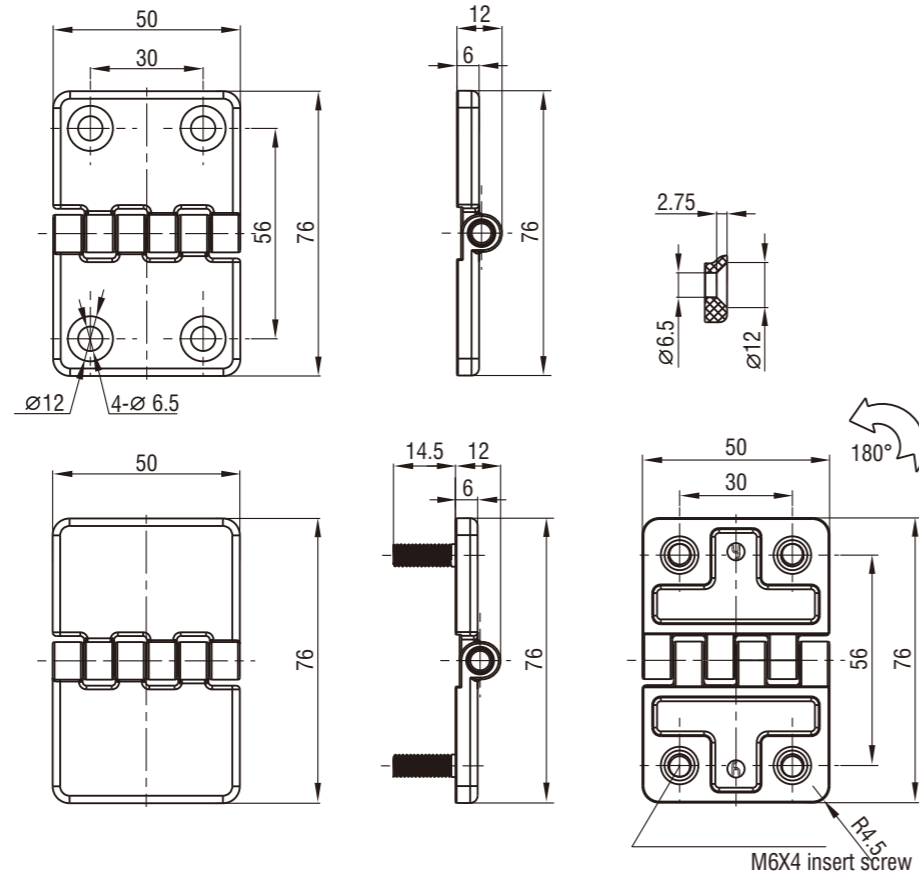
4204, 4208

# Screw-on Hinge

4210, 4212

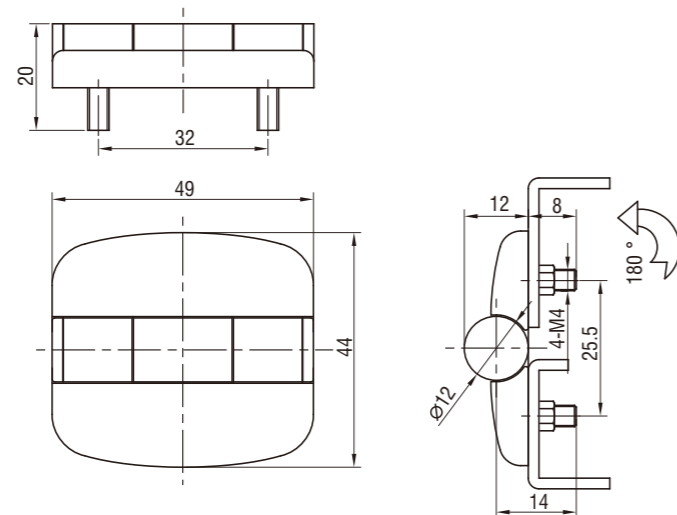


Countersunk Screw M6



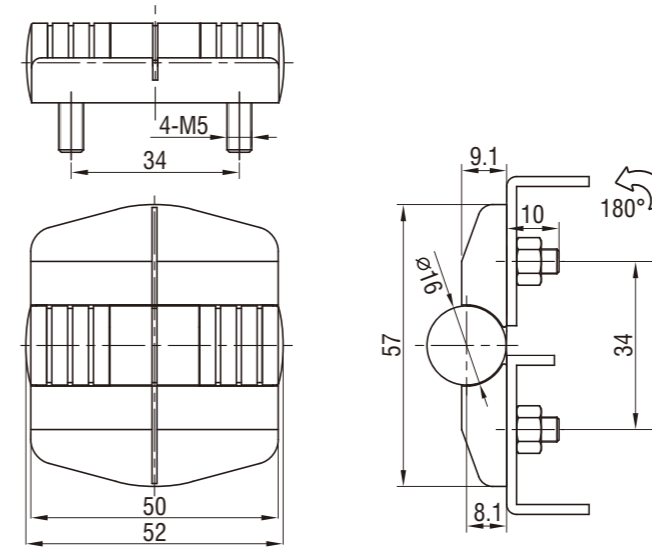
Zinc die, m.s. zinc plated or SUS pin and threaded studs, black powder coated or bright chrome, textured chrome plated

| Finish                 | Countersunk Screw M6 | With Threaded Studs M6 |
|------------------------|----------------------|------------------------|
| Black Powder Coated    | 4204-1520-20         | 4204-1522-40           |
| Bright Chrome          | 4204-1520-60         |                        |
| Textured Chrome Plated |                      | 4204-1522-158          |



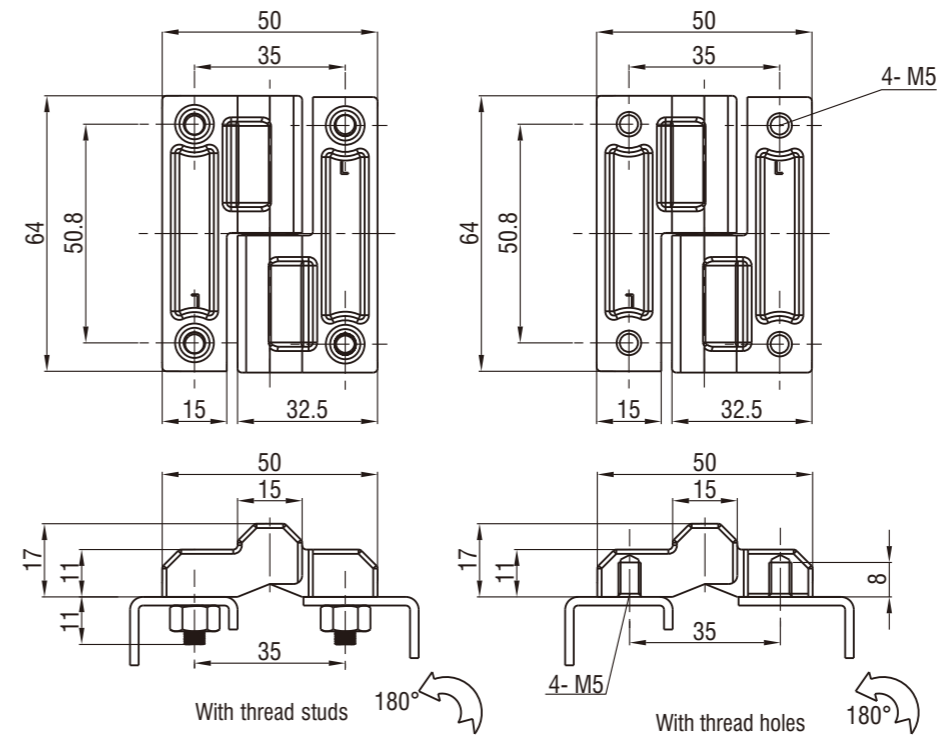
POM and PA black

| Free-Swinging | 120, 170 Detented open angle |
|---------------|------------------------------|
| 4208-0-180    | 4208-10-180                  |



POM and PA black

| Free-Swinging          | 2105-0-90                 |                            |                            |
|------------------------|---------------------------|----------------------------|----------------------------|
| Positioning Torque N.M | Detented open angle : 80° | Detented open angle : 115° | Detented open angle : 150° |
| 0.7                    | 4210-16014-180            | 4210-203014-180            | 4210-30014-180             |
| 1.1                    | 4210-16022-180            | 4210-23022-180             | 4210-30022-180             |
| 1.7                    | 4210-16034-180            | 4210-23034-180             | 4210-30034-180             |



Zinc die, m.s. zinc plated or SUS pin and threaded studs, black powder coated or bright chrome

|                   | With thread studs | With thread hole |
|-------------------|-------------------|------------------|
| Version A (Left)  | 4212-1002-L40     | 4212-1000-L20    |
| Version B (Right) | 4212-1002-R40     | 4212-1000-R20    |

