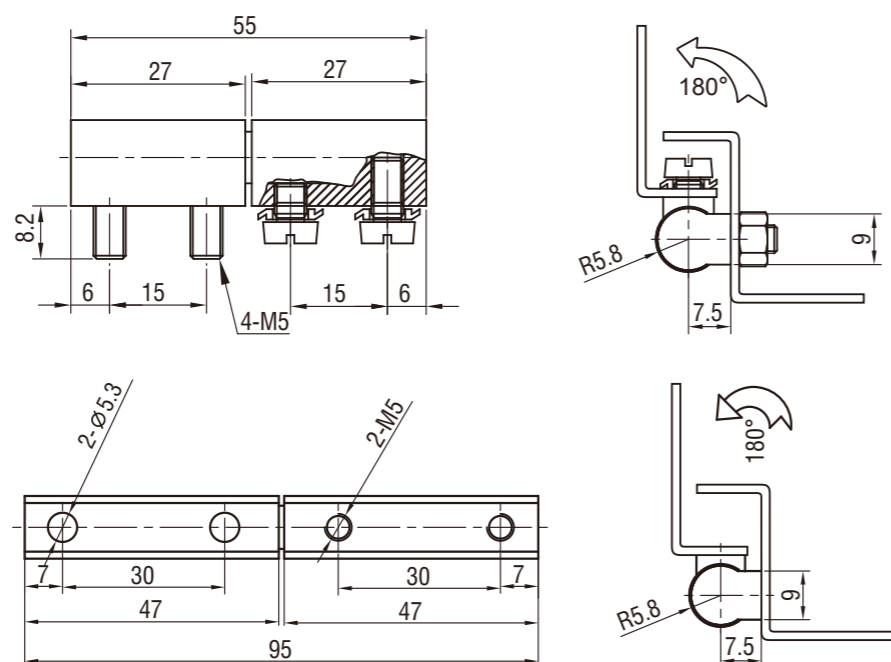


Lift-off Hinge

4408, 4412

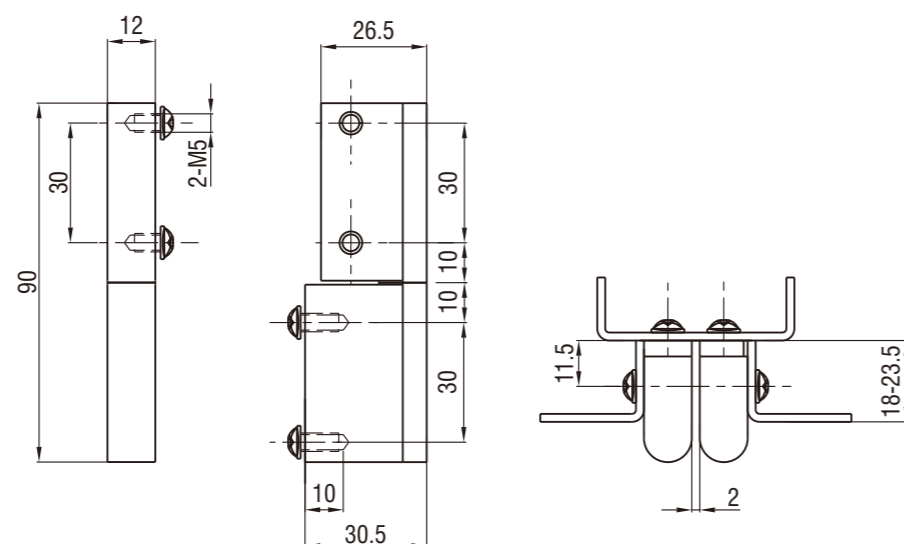
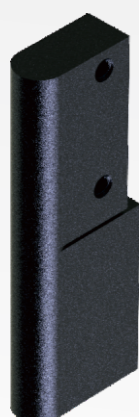
Lift-off Hinge

4414



M.S. zinc plated, SUS cover

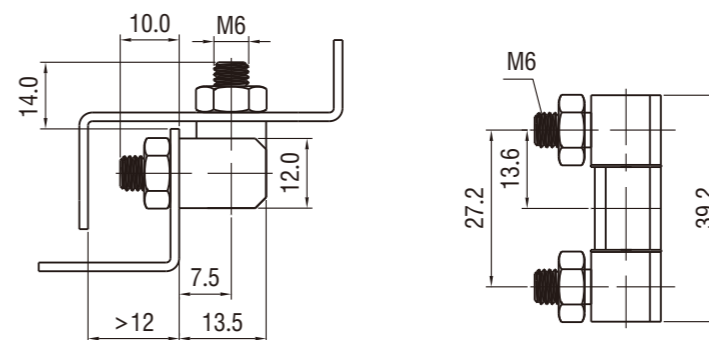
Length	
L=55	4408-110
L=95	4408-190



Zinc die, m.s. zinc plated or SUS pin, black textured powder coated or bright chrome

Black Textured Powder Coated	Bright Chrome
4412-40	4412-60

Small size



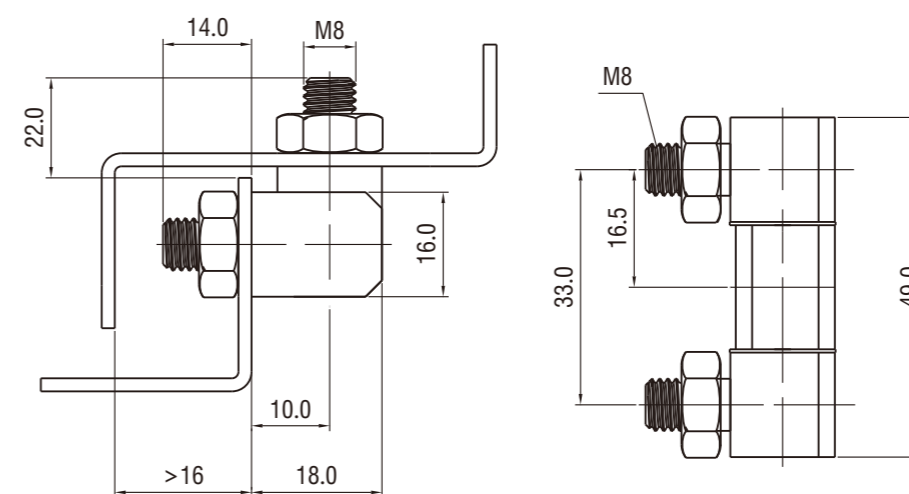
Two Joints

Three Joints

Stainless steel or m.s. zinc plated

Version	L	Stainless steel	Steel
Two Joints	L=25.6	4414-512-608	4414-512-02
Three Joints	L=39.2	4414-784-608	4414-784-02

Large size

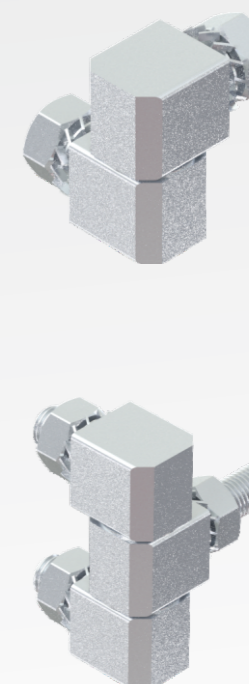
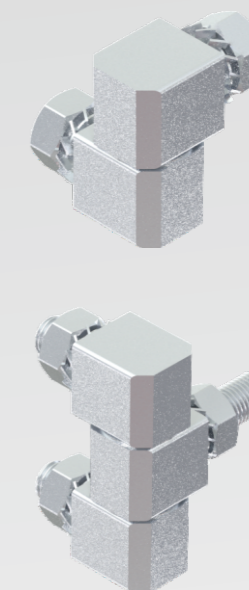


Two Joints

Three Joints

Stainless steel or m.s. zinc plated

Version	L	Stainless steel	Steel
Two Joints	L=32.5	4414-650-608	4414-650-02
Three Joints	L=49	4414-980-608	4414-980-02



Lift-off Hinge

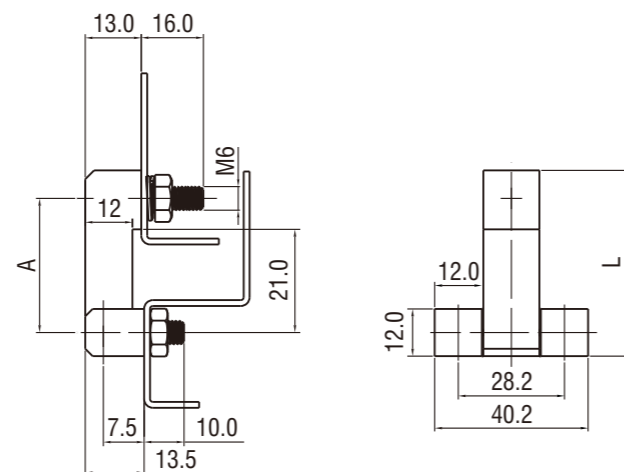
4414

Lift-off Hinge

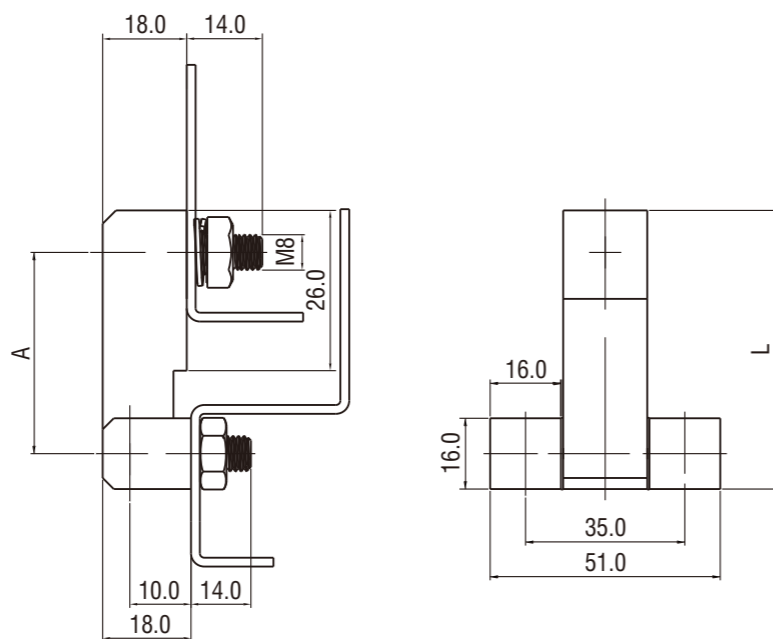
4416



Small size

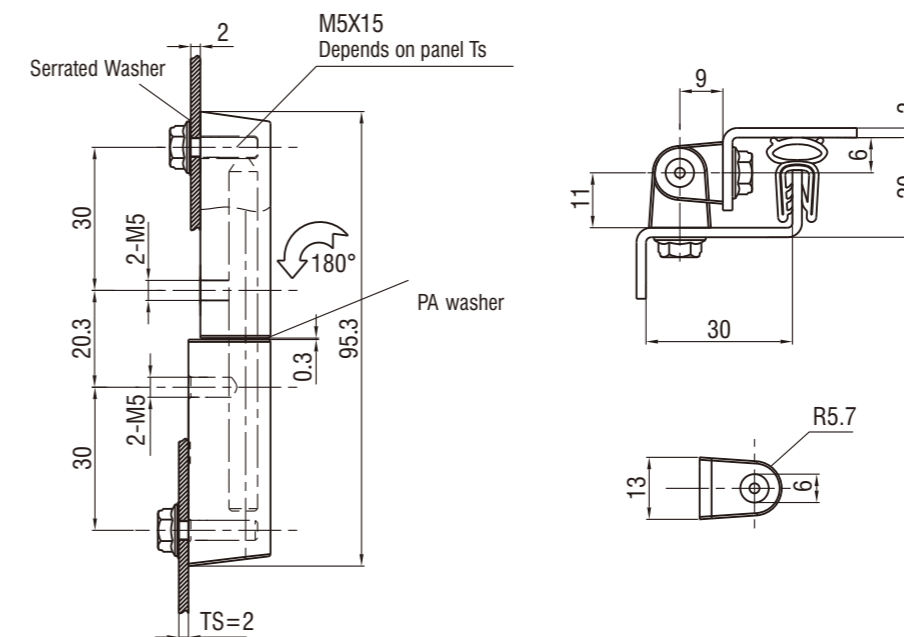


Large size



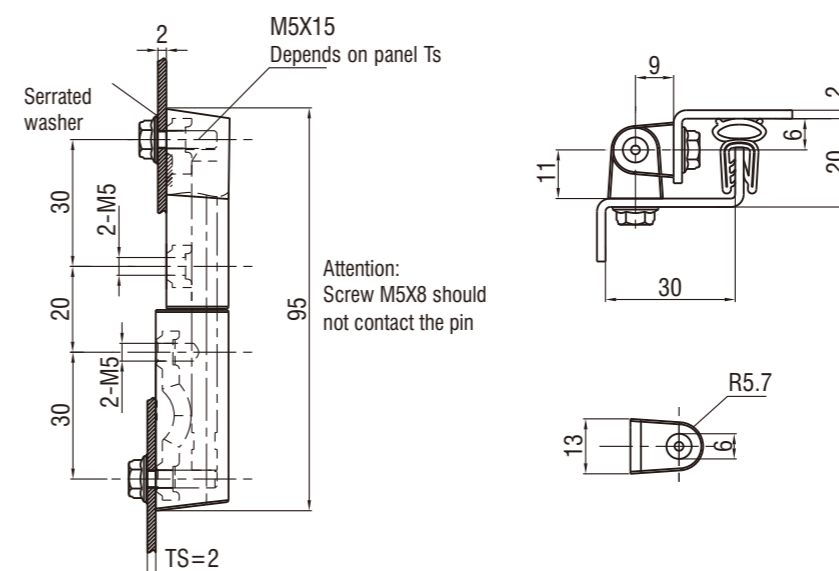
Stainless steel or m.s. zinc plated

	Version	L	A	Stainless steel	Steel
Small size	Three Joints	L=45	30	4414-9060-608	4414-9060-02
		L=53	38	4414-10676-608	4414-10676-02
Large Size	Three Joints	L=50	29	4414-10058-608	4414-10058-02
		L=61	40	4414-12280-608	4414-12280-02



Zinc die, m.s. zinc plated or SUS pin, black textured powder coated or bright chrome

Black Textured Powder Coated	Bright Chrome
4416-40	4416-60



Black PA GF30% body, untreated steel fully molded-in, stainless steel pin

4416-PA



Index

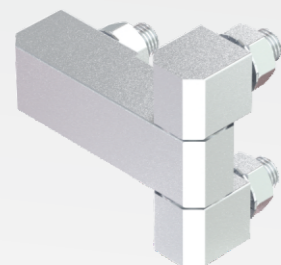
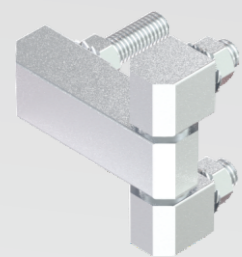
Hinges



2B-006

Index

Hinges



2B-005