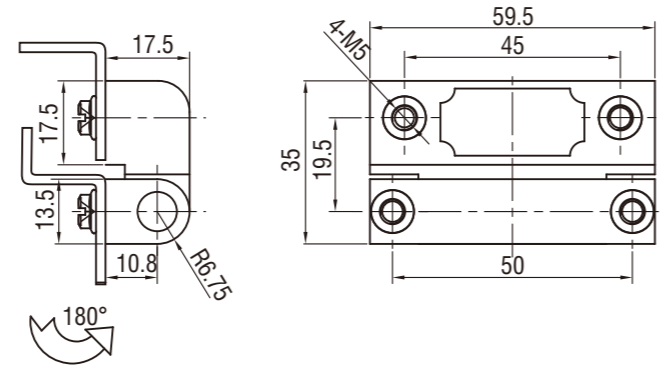
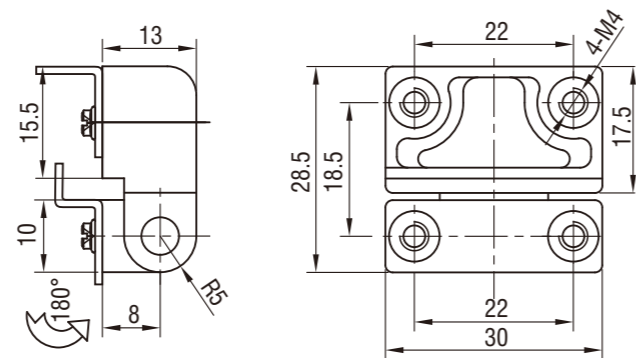




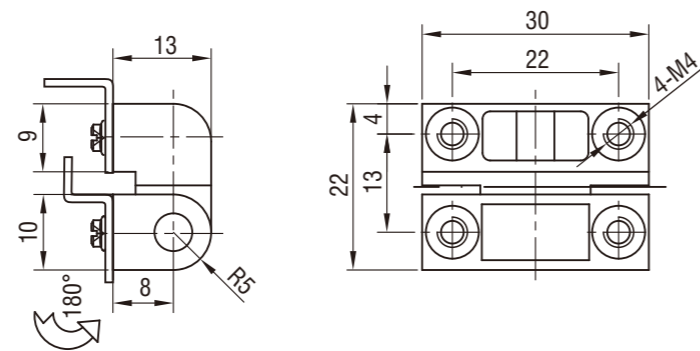
Version A



Version B



Version C



= Zinc die, m.s. zinc plated or SUS pin, black smooth powder coated or bright chrome, satin chrome

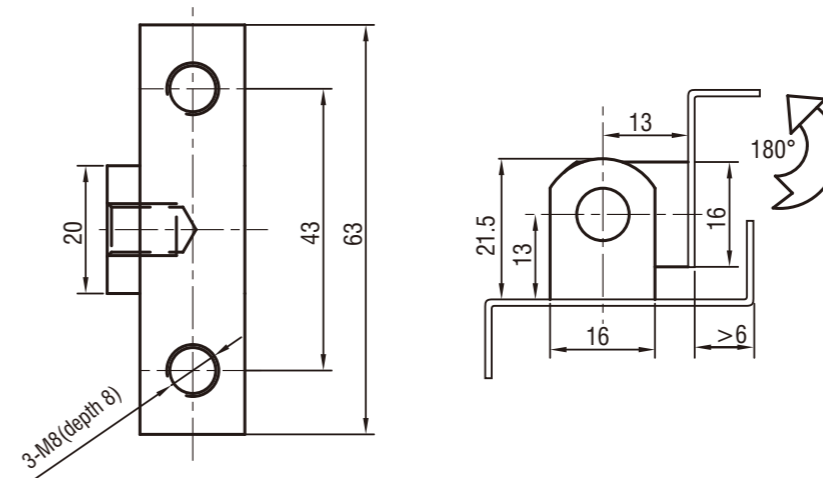
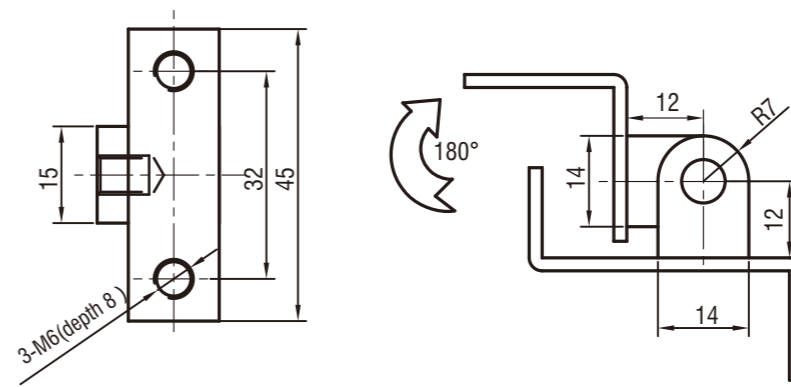
	Black Smooth Powder Coated	Bright Chrome	Satin Chrome
Version A	4630-700-20	4630-700-60	4630-700-80
Version B	4630-570-20	4630-570-60	4630-570-80
Version C	4630-440-20	4630-440-60	4630-440-80

# External Hinge

4630

# External Hinge

4632



= Zinc die, m.s. zinc plated or SUS pin, black smooth powder coated or bright chrome

L	Black Smooth Powder Coated	Bright Chrome
L=45	4632-90-20	4632-90-60
L=63	4632-126-20	4632-126-60