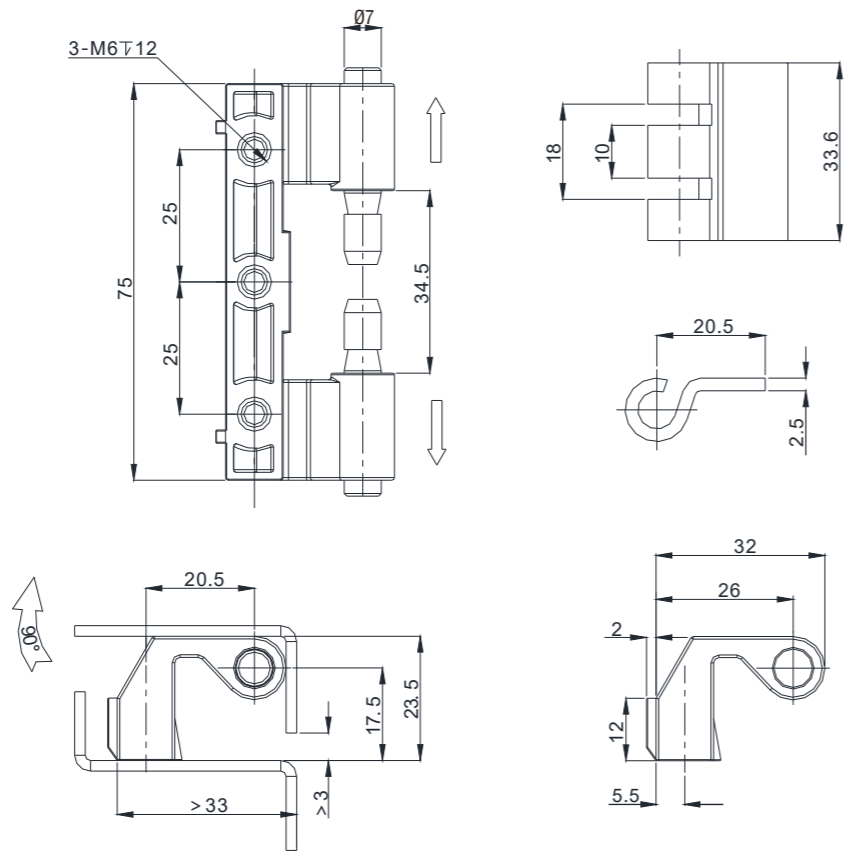


# Concealed Hinge

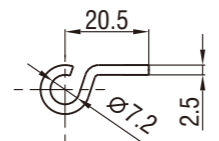
4802

# Concealed Hinge

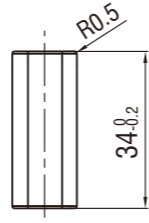
4802



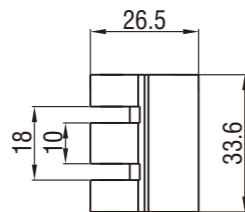
Version A



Version B

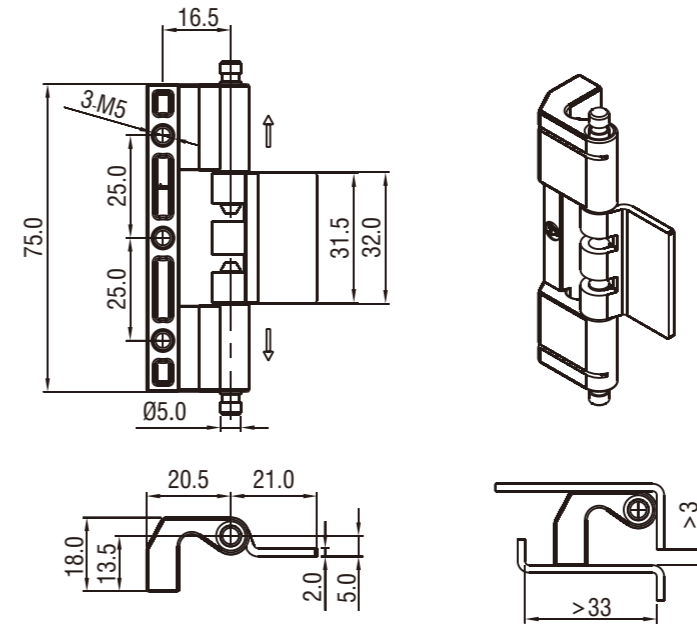
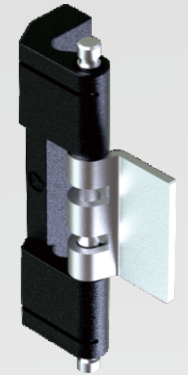


Accessory



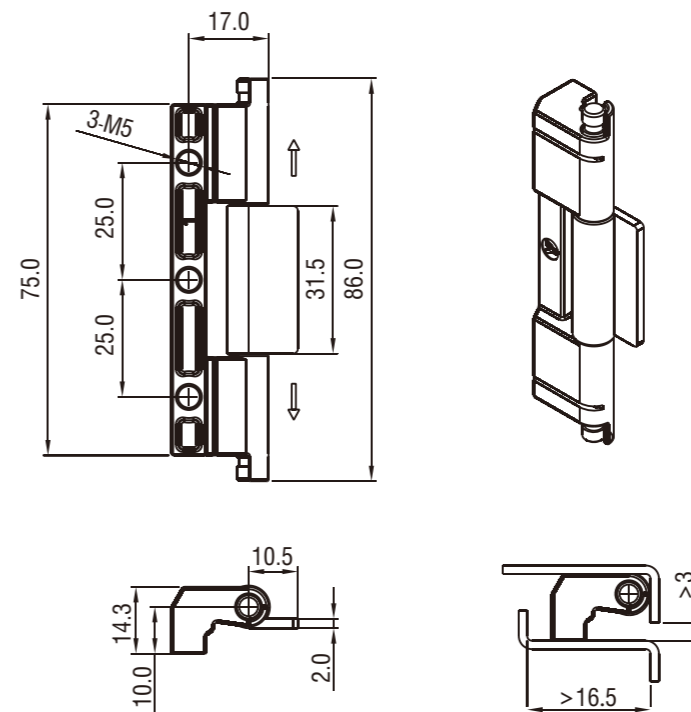
Zinc die, m.s. zinc plated or SUS pin, black smooth powder coated or sand sprayed

Weld-on part version	Black Smooth Powder Coated	Sand sprayed
Version A	4802-222-20	4802-222-154
Version B	4802-224-20	4802-224-154



Zinc die, m.s. zinc plated or SUS pin, black textured powder coated or sand sprayed

Black Textured Powder Coated	Sand sprayed
4802-230-40	4802-230-154



Zinc die, m.s. zinc plated or SUS pin, black textured powder coated or sand sprayed

Black Textured Powder Coated	Sand sprayed
4802-232-40	4802-232-154