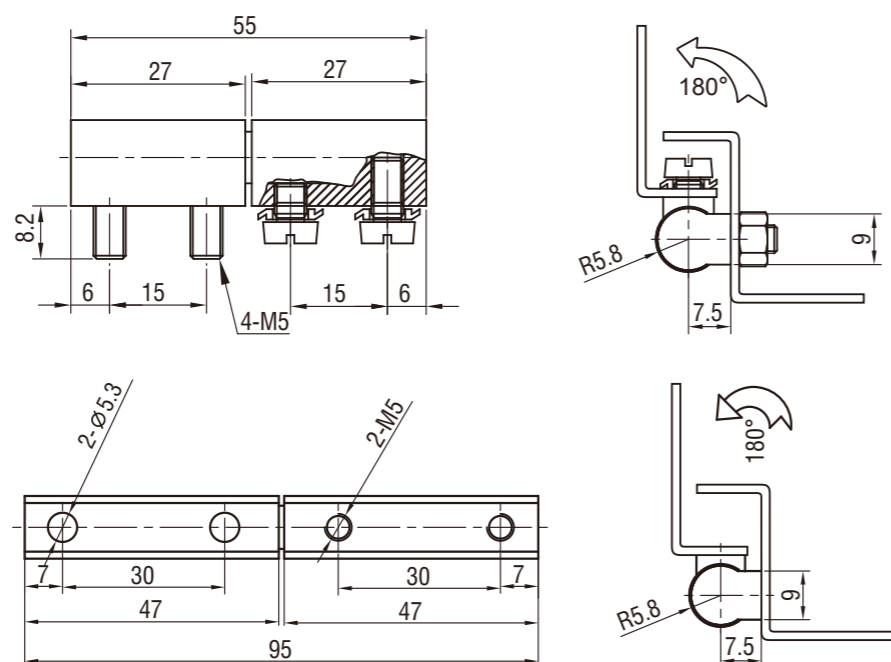


Lift-off Hinge

4408, 4412

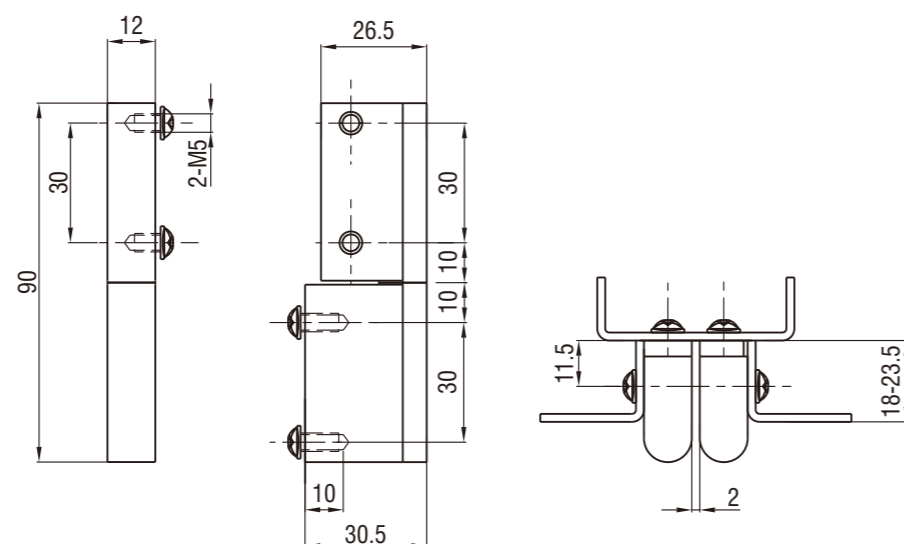
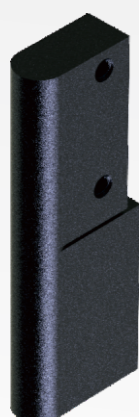
Lift-off Hinge

4414



M.S. zinc plated, SUS cover

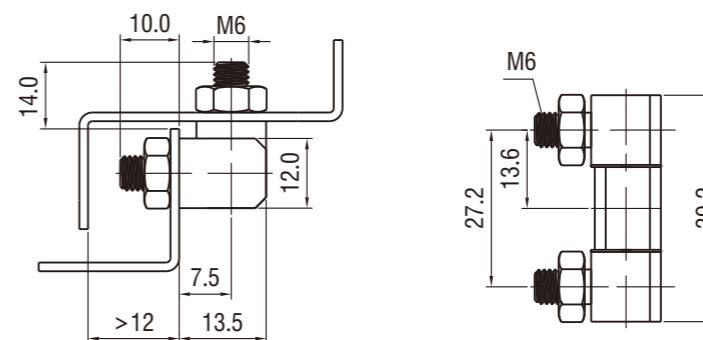
Length	
L=55	4408-110
L=95	4408-190



Zinc die, m.s. zinc plated or SUS pin, black textured powder coated or bright chrome

Black Textured Powder Coated	Bright Chrome
4412-40	4412-60

Small size



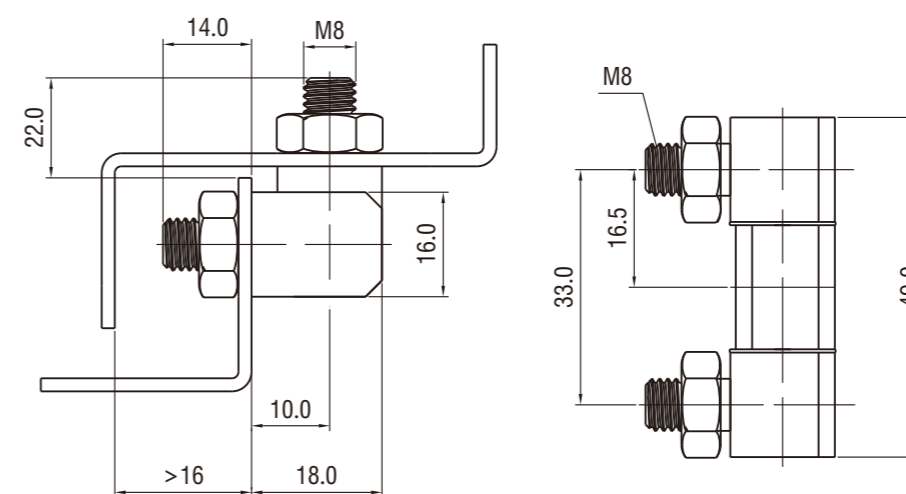
Two Joints

Three Joints

Stainless steel or m.s. zinc plated

Version	L	Stainless steel	Steel
Two Joints	L=25.6	4414-512-608	4414-512-02
Three Joints	L=39.2	4414-784-608	4414-784-02

Large size



Two Joints

Three Joints

Stainless steel or m.s. zinc plated

Version	L	Stainless steel	Steel
Two Joints	L=32.5	4414-650-608	4414-650-02
Three Joints	L=49	4414-980-608	4414-980-02

