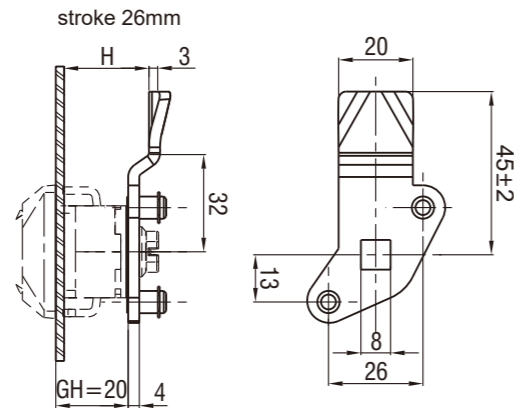
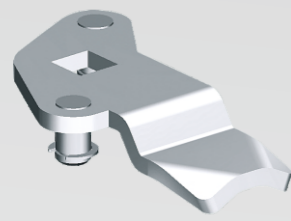


Cam

18200

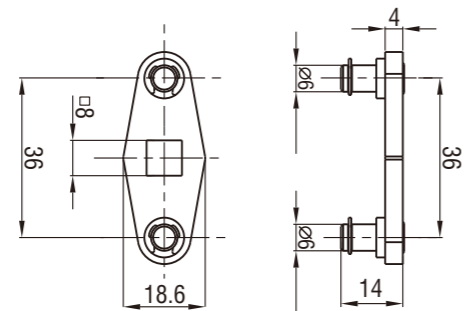
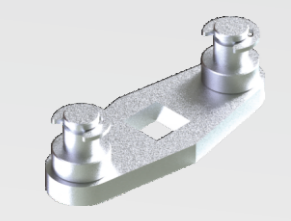
Slide shoe

18200



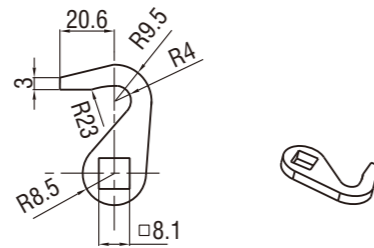
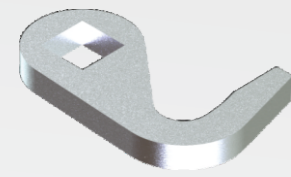
M.S. zinc plated

H	Left	Right
25	18200-18850L	18200-18850R
27	18200-18854L	18200-18854R
29	18200-18858L	18200-18858R
31	18200-18862L	18200-18862R



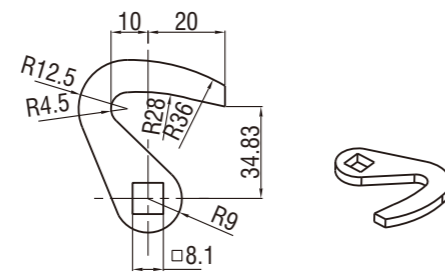
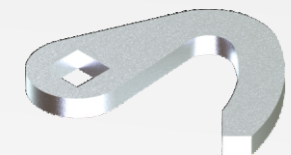
M.S. zinc plated

90 Square hole with round rivet	18200-7236A
90 Square hole with round rivet	18200-7236B
90 Square hole with round rivet threads	18200-7236C



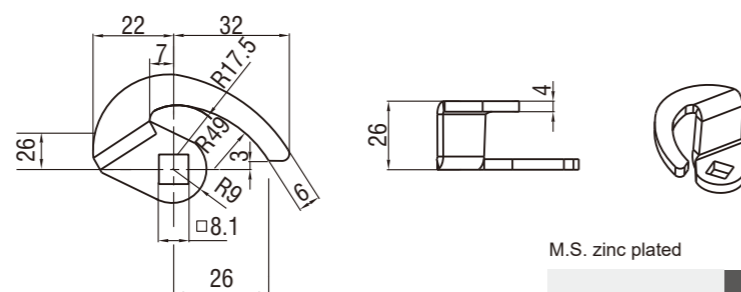
M.S. zinc plated

	18200-3406
--	------------



M.S. zinc plated

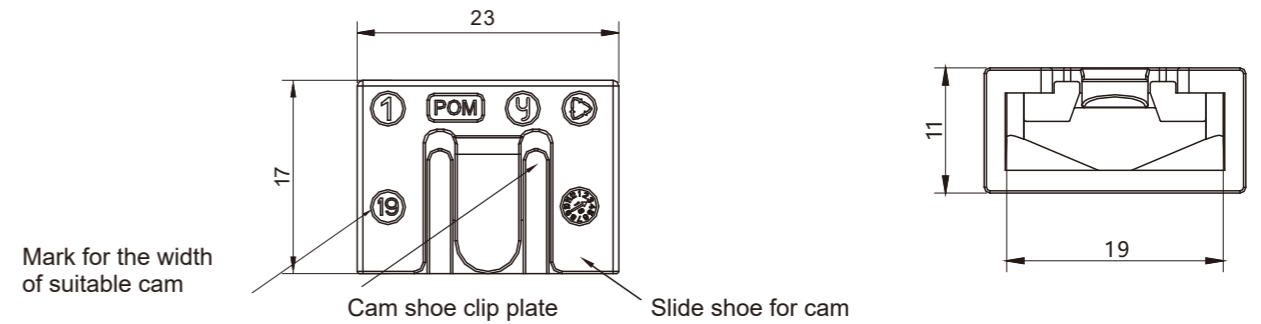
	18200-3402
--	------------



M.S. zinc plated

	18200-3404
--	------------

Slide shoe for cam

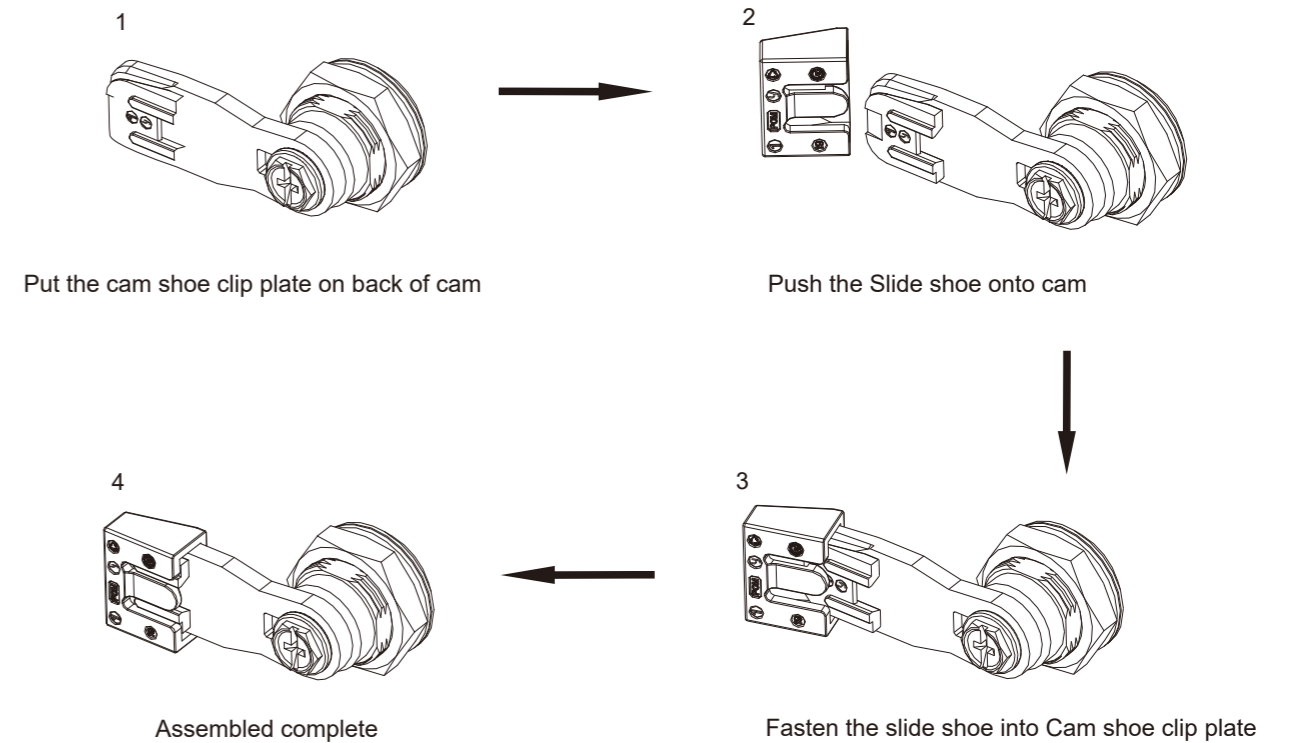


Black P M

	18200-3638-PM
--	---------------

Remark :Applicable to the cam with width of 19mm only

Assemble instruction for slide shoe



Notes: If the guiding shoe for the cam is used, the H dimension is reduced by 2 mm