

Screw-on Hinge

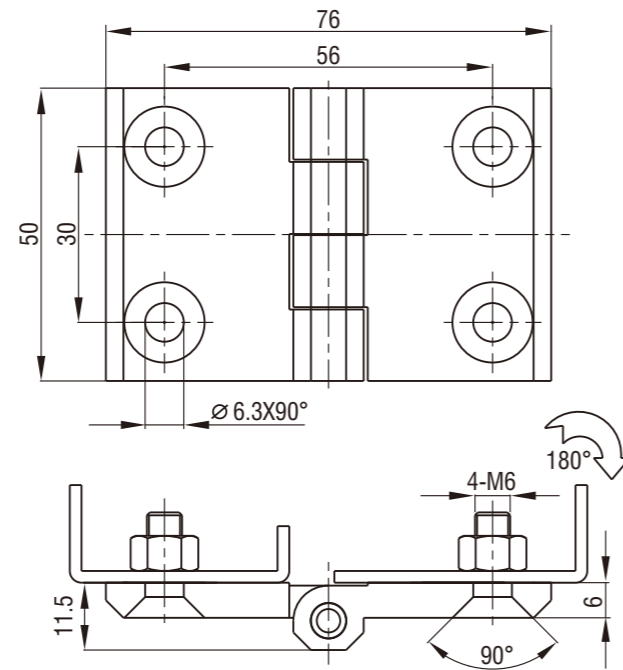
4202

Screw-on Hinge

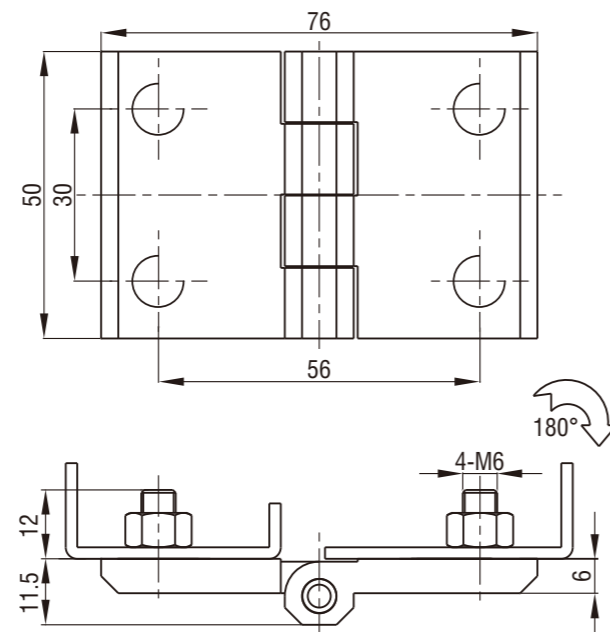
4202



Countersunk Screw M6

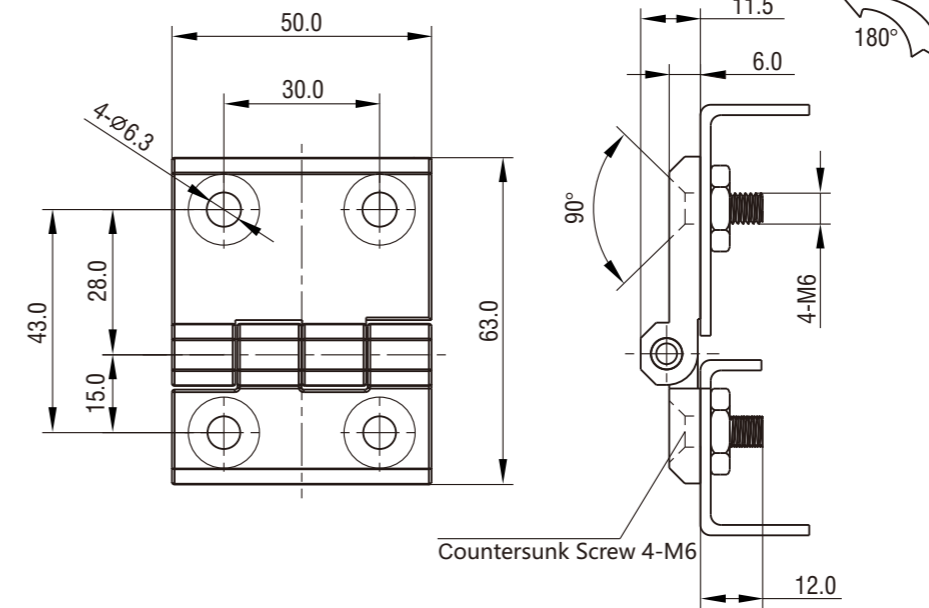


SUS material upon request



Zinc die, m.s. zinc plated or SUS pin and threaded studs, black powder coated or bright chrome

Screw-on Hinge 50X76		
Finish	Countersunk Screw M6	With Threaded Studs M6
Black Powder Coated	4202-1152-20	4202-11522-40
Bright Chrome	4202-1152-60	
SUS 316	4202-1152-632	
Textured Chrome Plated		4202-11522-158



Zinc die, m.s. zinc plated or SUS pin and threaded studs, black powder coated or bright chrome

Screw-on Hinge		
Finish	Countersunk Screw M6	With Threaded Studs M6
Black Powder Coated	4202-1126-20	4202-11262-40
Bright Chrome	4202-1126-60	
SUS 316	4202-1126-632	
Textured Chrome Plated		4202-11262-158

