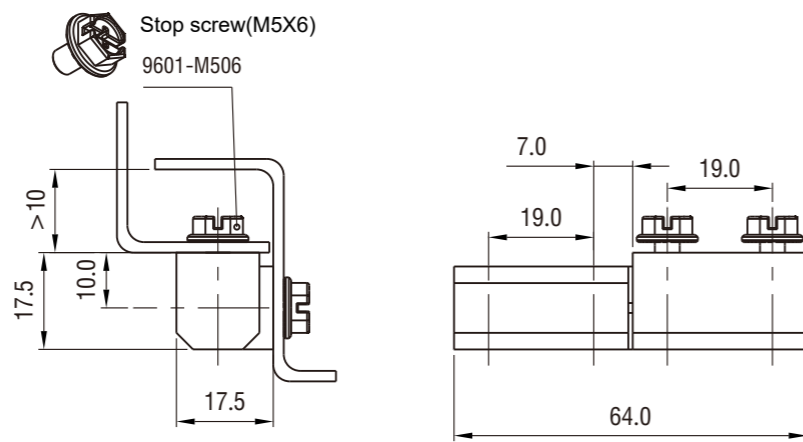


Stainless steel or m.s. zinc plated

Version	Length	Stainless Steel	Steel
Three Joints	L=57.0	4420-1140-608	4420-1140-02



zinc die, m.s. zinc plated or SUS pin, black smooth powder coated or bright chrome

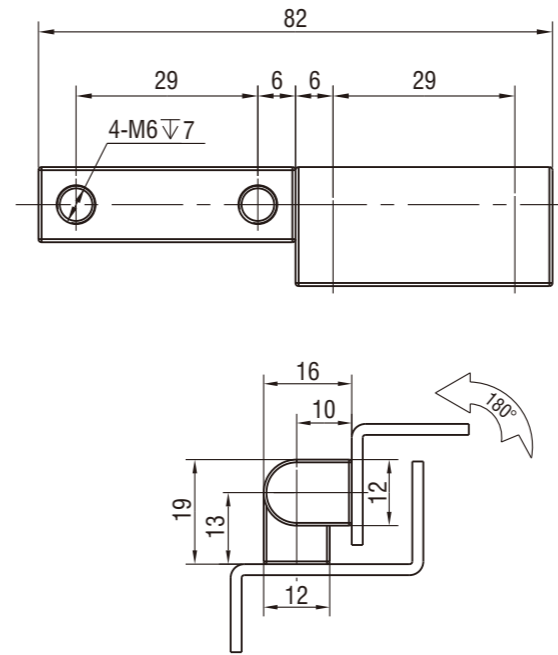
Finish	Countersunk Screw
Black Smooth Powder Coated	4422-1000-20
Bright Chrome	4422-1000-60
SUS 316	4422-1000-632

Lift-off Hinge

4420, 4422

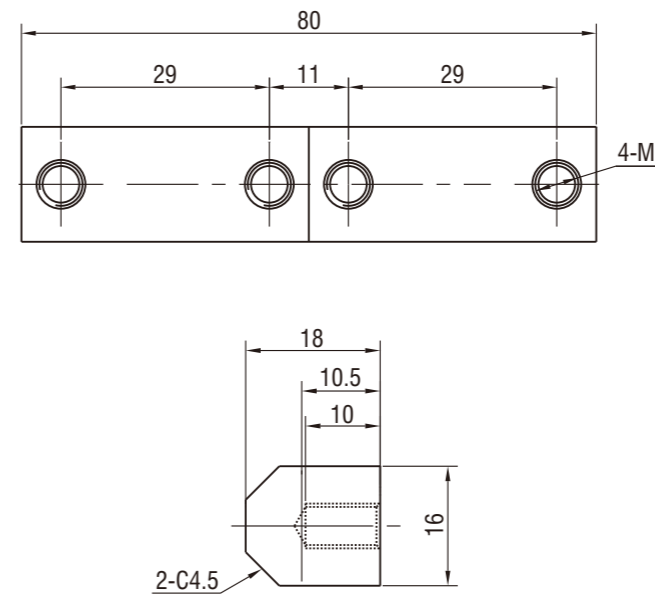
Lift-off Hinge

4426, 4428



SUS material

Center Distance	
L=29	4426-58-608



SUS material

Length	
L=80	4428-1600-632