

Compression latch, Large version, Fixed grip range

2846

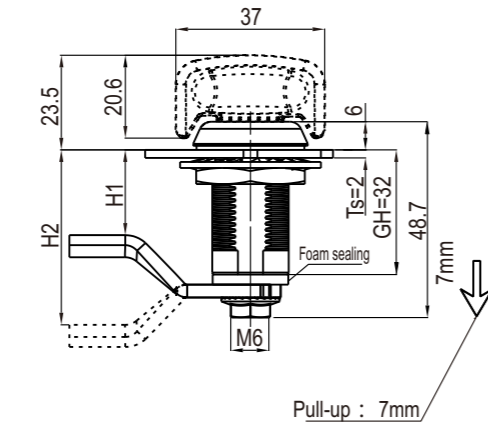
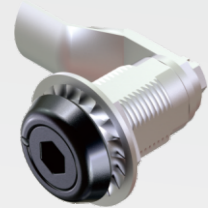
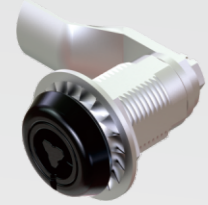
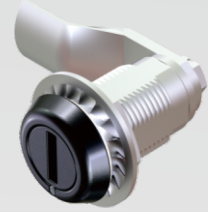
Compression latch, Large version, Fixed grip range, insert without circle

2846

Index

Locks

RL IP65



Optional components, need to be ordered separately

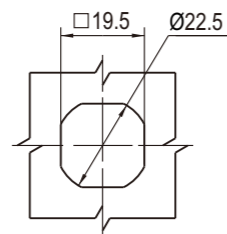
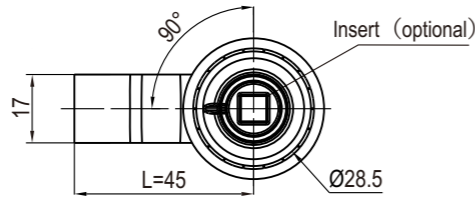
(part#) : 19002-9404 (Pull-Tab)



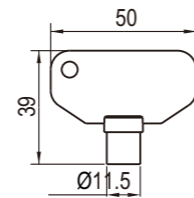
Not suitable for knob style



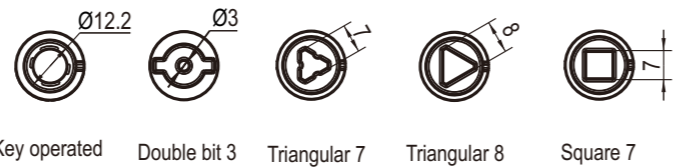
(part#) : 18802-8202 (Water dust proof cover)



Panel Cutout



For key operated (part#) : 18400-2844-160



Key operated Double bit 3 Triangular 7 Triangular 8 Square 7



Square 8 Hex female 8 Hex.male 10 Slotted recess Knob style

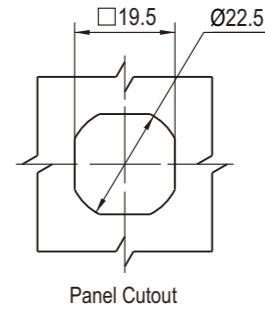
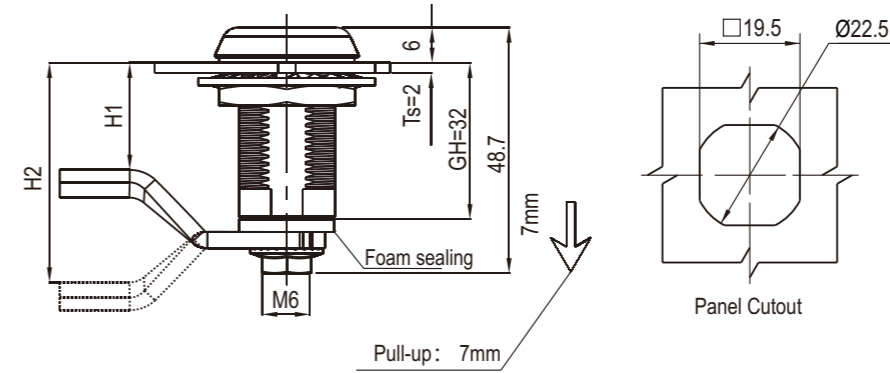
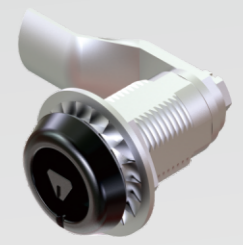
Zinc die housing, cylinder; black smooth powder coated or bright chrome; m.s. zinc plated cam and shaft

Cam style	Head Style									
	Key operated	Double bit 3mm	Triangular 7mm	Triangular 8mm	Square 7mm	Square 8mm	Slotted recess	Hex female 8mm	Hex.male 10mm	Knob style
	2846-40-20	2846-026-20	2846-074-20	2846-076-20	2846-094-20	2846-096-20	2846-10-20	2846-136-20	2846-120-20	2846-14-20

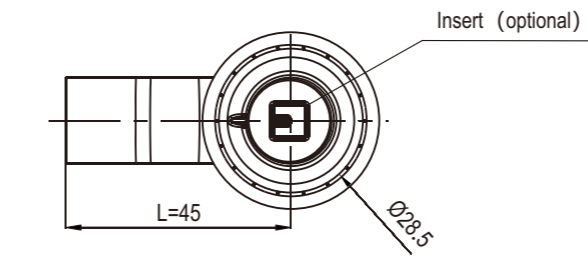
Index

Locks

RL IP65



Panel Cutout



Insert (optional)



Triangular 7mm



Triangular 8mm



Square 7mm



Square 8mm

Zinc die housing, cylinder; black smooth powder coated or bright chrome; m.s. zinc plated cam and shaft

Cam style	Head Style			
	Triangular 7mm	Triangular 8mm	Square 7mm	Square 8mm
	2846-0742-20	2846-0762-20	2846-0942-20	2846-0962-20