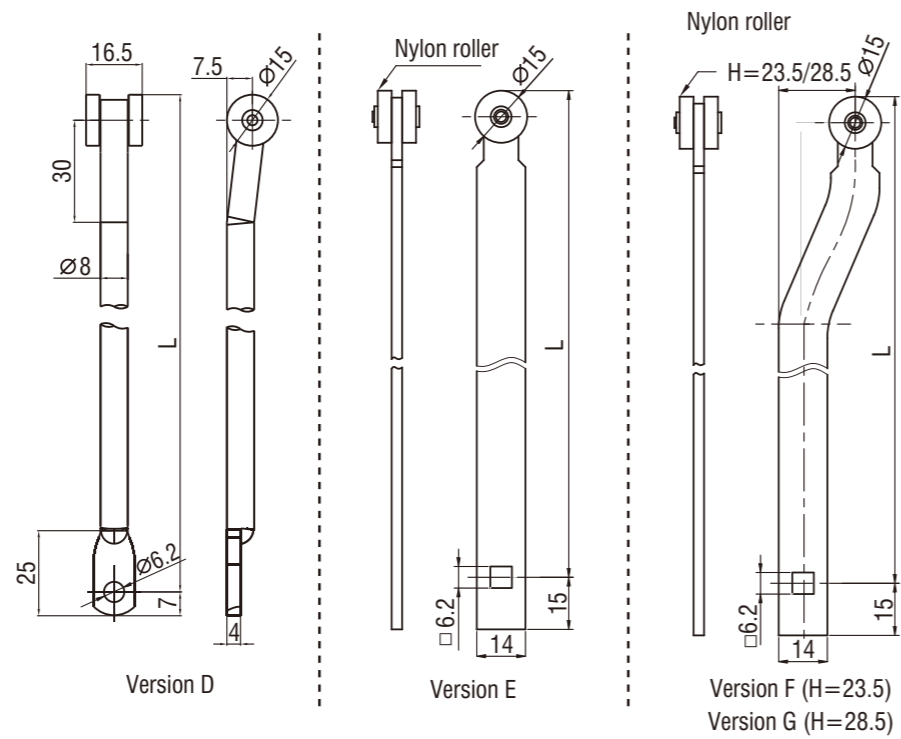
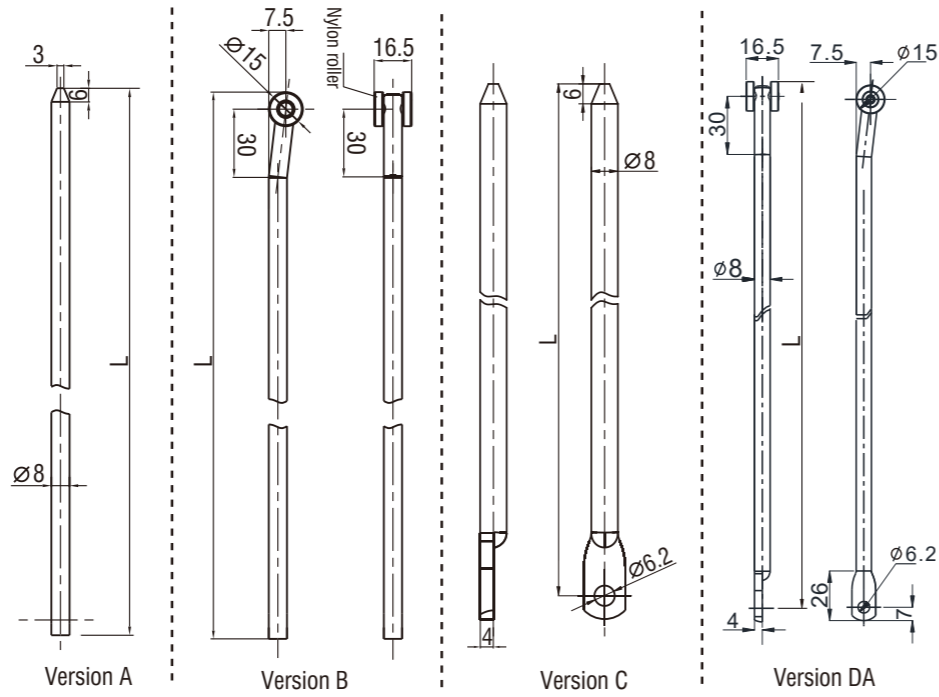
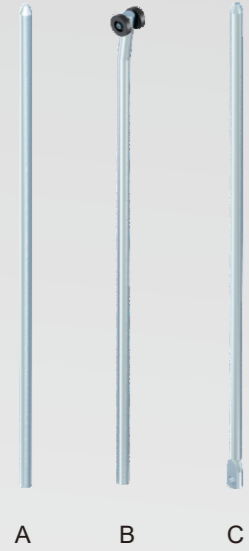


Rod

18602

Rod

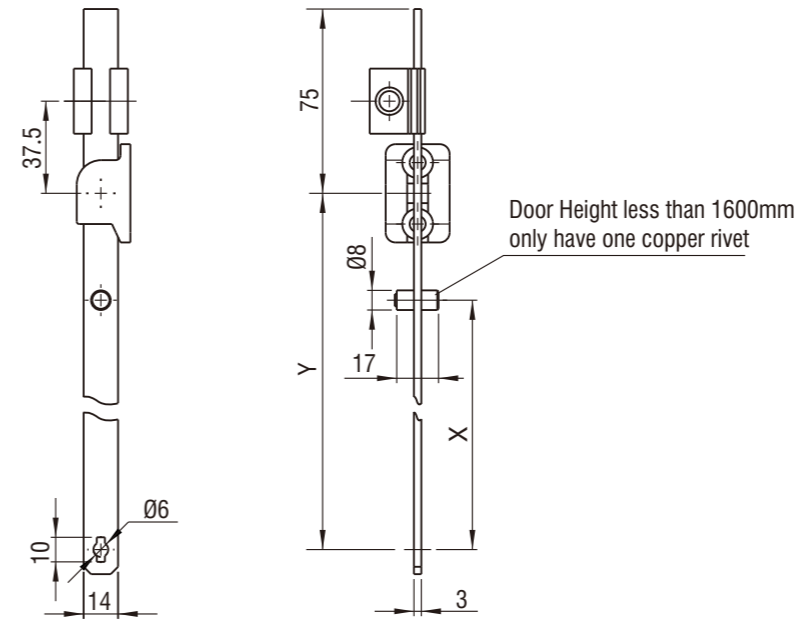
18602



L	Version A	Version B	Version C	Version D	Version DA	Version E	Version F	Version G
400	18602-A-0800	18602-B-0800	18602-C-0800	18602-D-0800	18602-DA-0800	18602-E-0800	18602-F-0800	18602-G-0800
500	18602-A-1000	18602-B-1000	18602-C-1000	18602-D-1000	18602-DA-1000	18602-E-1000	18602-F-1000	18602-G-1000
600	18602-A-1200	18602-B-1200	18602-C-1200	18602-D-1200	18602-DA-1200	18602-E-1200	18602-F-1200	18602-G-1200
700	18602-A-1400	18602-B-1400	18602-C-1400	18602-D-1400	18602-DA-1400	18602-E-1400	18602-F-1400	18602-G-1400
800	18602-A-1600	18602-B-1600	18602-C-1600	18602-D-1600	18602-DA-1600	18602-E-1600	18602-F-1600	18602-G-1600
900	18602-A-1800	18602-B-1800	18602-C-1800	18602-D-1800	18602-DA-1800	18602-E-1800	18602-F-1800	18602-G-1800
1000	18602-A-2000	18602-B-2000	18602-C-2000	18602-D-2000	18602-DA-2000	18602-E-2000	18602-F-2000	18602-G-2000
1100	18602-A-2200	18602-B-2200	18602-C-2200	18602-D-2200	18602-DA-2200	18602-E-2200	18602-F-2200	18602-G-2200

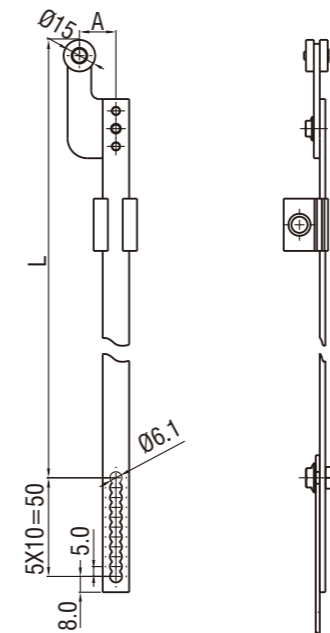
Remark 100PCS

MOQ=100PCS



M.S. zinc plated

Door height	Rods		Version H
	Dim. X	Dim. Y	
800-1200	—	126.5	18602-H-253
1200-1600	—	276.5	18602-H-553
1600-1900	101.5	526.5	18602-H-1053
1900-2200	101.5	676.5	18602-H-1353



M.S. zinc plated

Version X	A	L									
		18.5	18602-X-37-0800	18602-X-37-1000	18602-X-37-1200	18602-X-37-1400	18602-X-37-1600	18602-X-37-1800	18602-X-37-2000	18602-X-37-2200	
		22.5	18602-X-45-0800	18602-X-45-1000	18602-X-45-1200	18602-X-45-1400	18602-X-45-1600	18602-X-45-1800	18602-X-45-2000	18602-X-45-2200	
	27.5	18602-X-55-0800	18602-X-55-1000	18602-X-55-1200	18602-X-55-1400	18602-X-55-1600	18602-X-55-1800	18602-X-55-2000	18602-X-55-2200		

