

# Concealed Hinge

4816

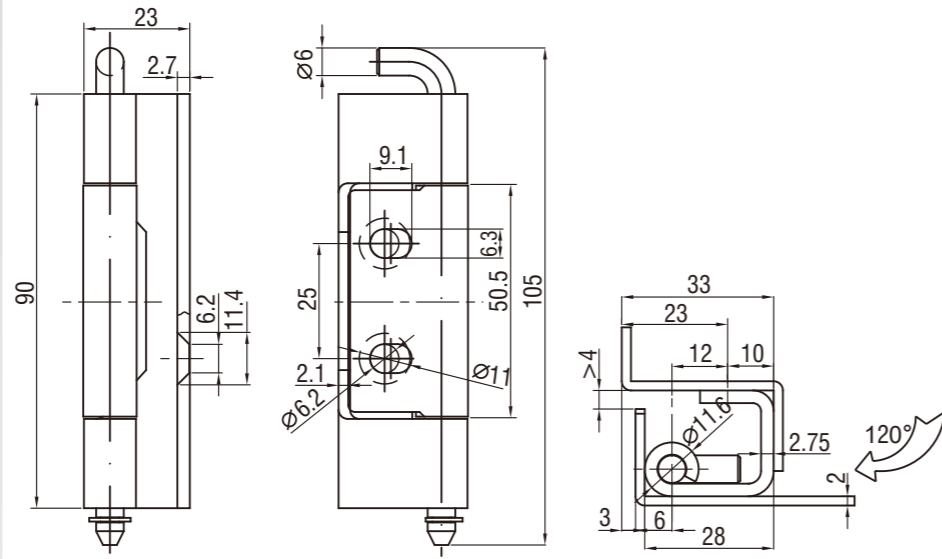
# Concealed Hinge

4816, 4818



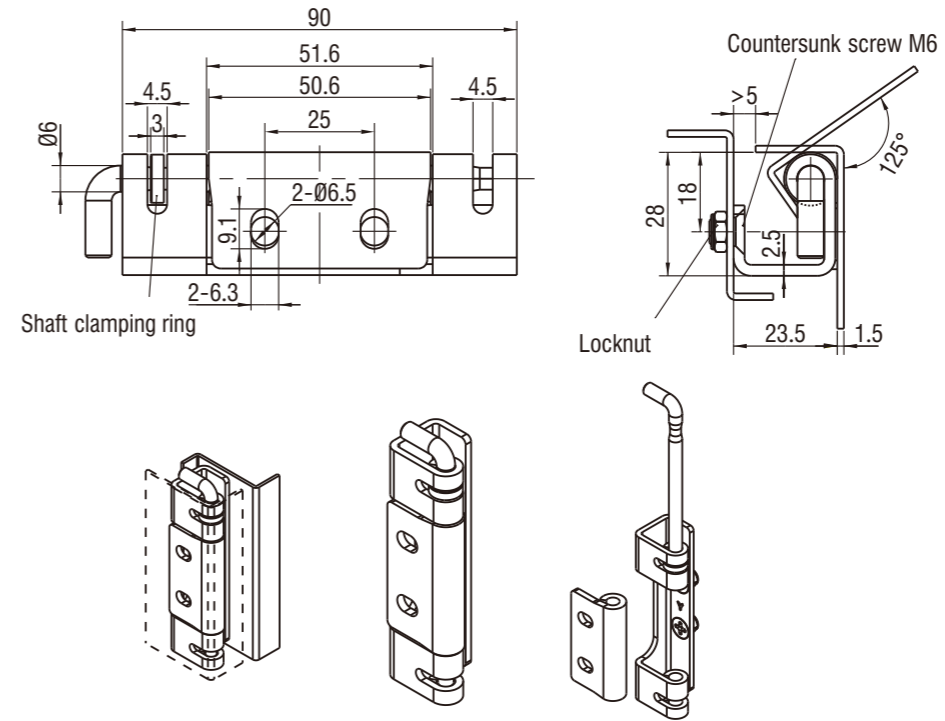
Index

Hinges



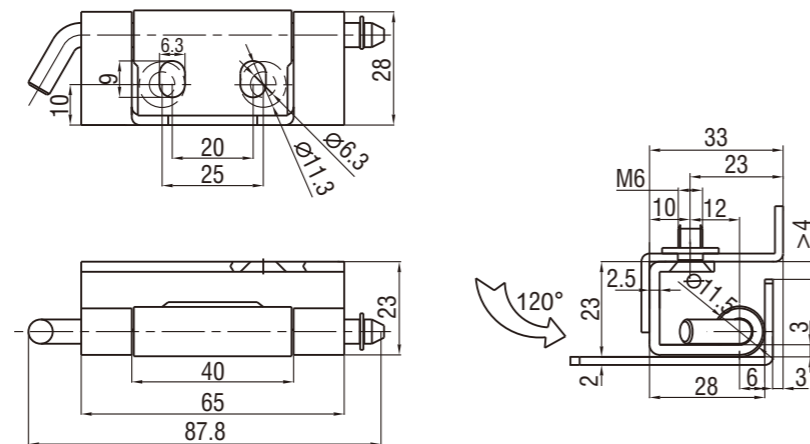
M.S. zinc plated or stainless steel

|             |            |
|-------------|------------|
| SUS 304     | Steel      |
| 4816-02-608 | 4816-02-02 |



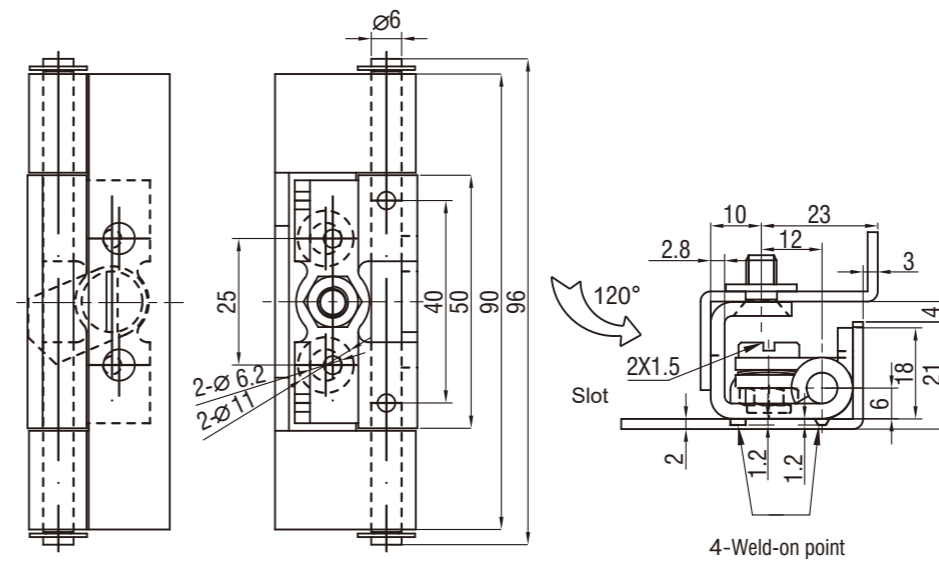
M.S. zinc plated or stainless steel, shaft clamping ring, POM, red

|             |                  |
|-------------|------------------|
| SUS 304     | M.S. zinc plated |
| 4816-06-608 | 4816-06-02       |



M.S. zinc plated or stainless steel

|             |            |
|-------------|------------|
| SUS 304     | Steel      |
| 4816-04-608 | 4816-04-02 |



M.S. zinc plated or stainless steel

|          |         |
|----------|---------|
| SUS 304  | Steel   |
| 4818-608 | 4818-02 |



Index

Hinges

