

Over-center Draw Latch

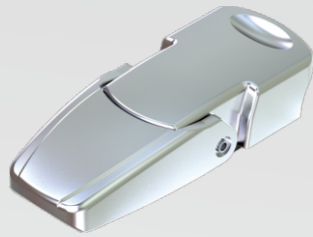
2524

Over-center Draw Latch

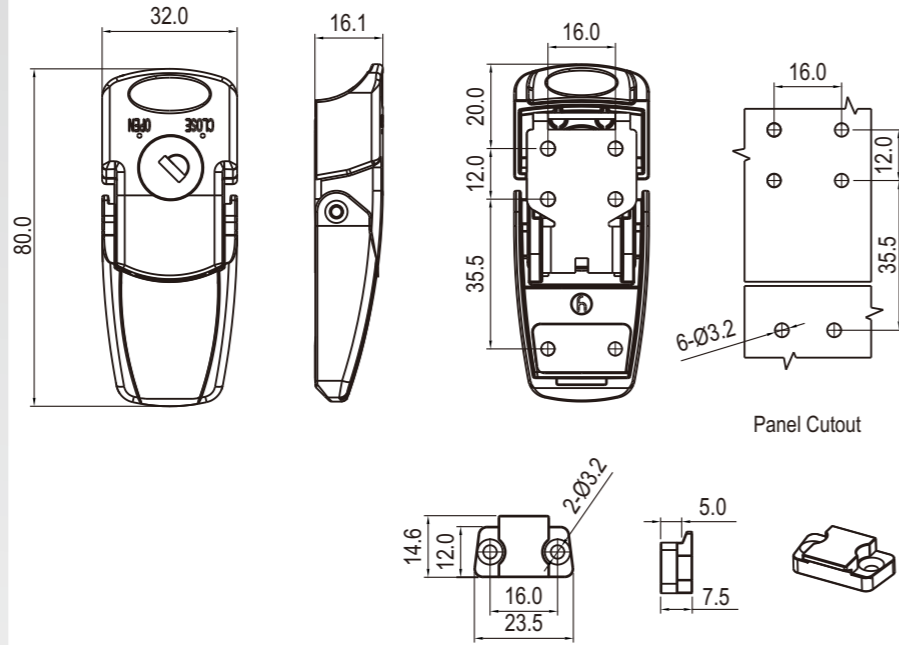
2542, 2544

Index

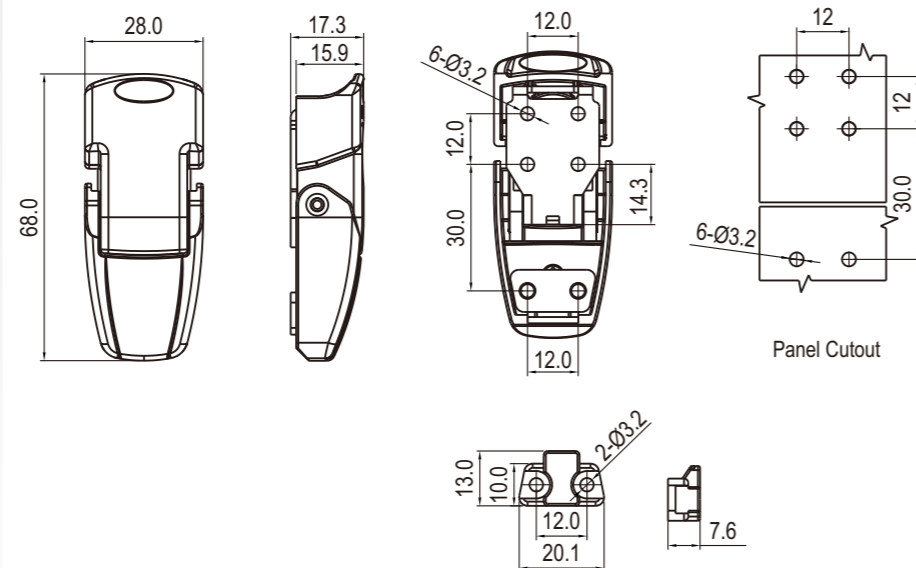
Locks



Large size



Small size

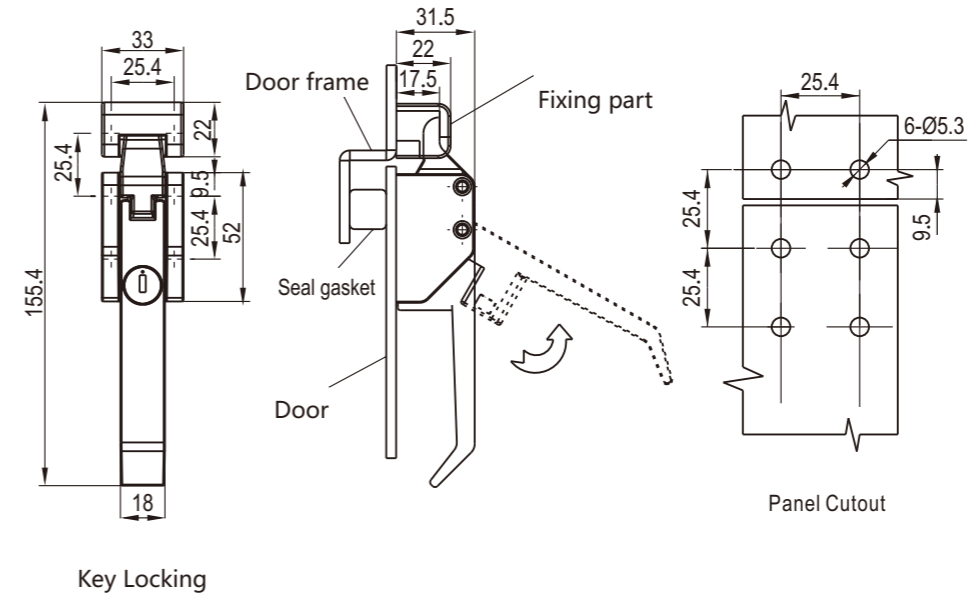


Zinc die, black smooth powder coated or satin chrome

		Key Locking	Non-Locking
Black Smooth Powder Coated	large size	2524-220-20	2524-200-20
	Small size	2524-420-20	2524-400-20
Satin Chrome	large size	2524-220-80	2524-200-80
	Small size	2524-420-80	2524-400-80

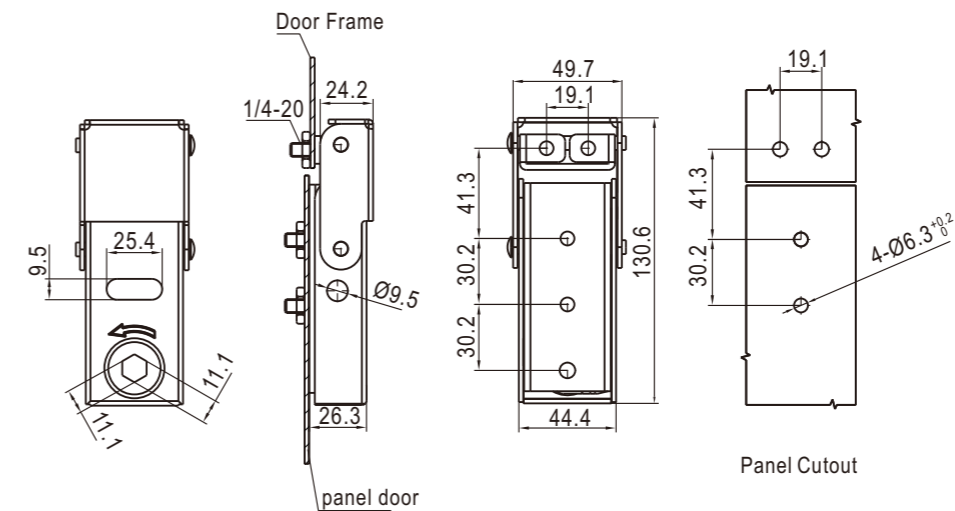
Index

Locks



Zinc die, black smooth powder coated or bright chrome

	Screw Hole M5X0.8			Screw Hole 10-32UNC		
	Black Smooth Powder Coated	Bright Chrome	Stainless Steel	Black Smooth Powder Coated	Bright Chrome	Stainless Steel
CH751 Locking	2542-20-20	2542-20-60	2542-20-632	2542-220-20	2542-220-60	2542-220-632
Non-locking	2542-00-20	2542-00-60	2542-00-632	2542-200-20	2542-200-60	2542-200-632



SUS 316 or 304

Material	
SUS 632	2544-20-632

