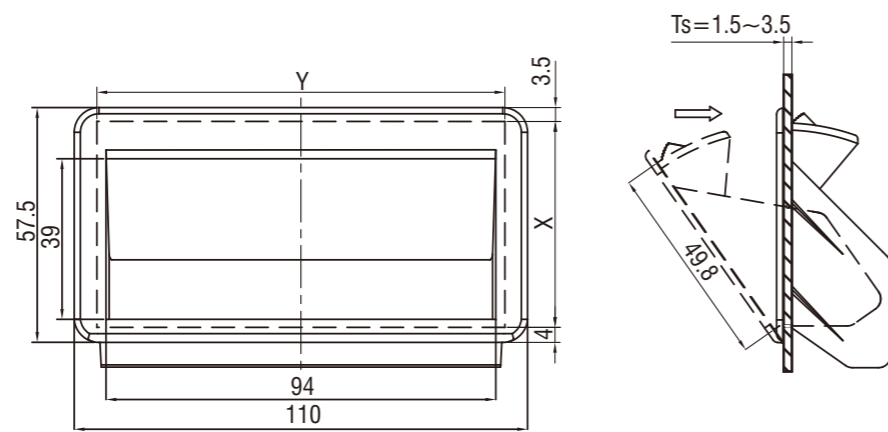




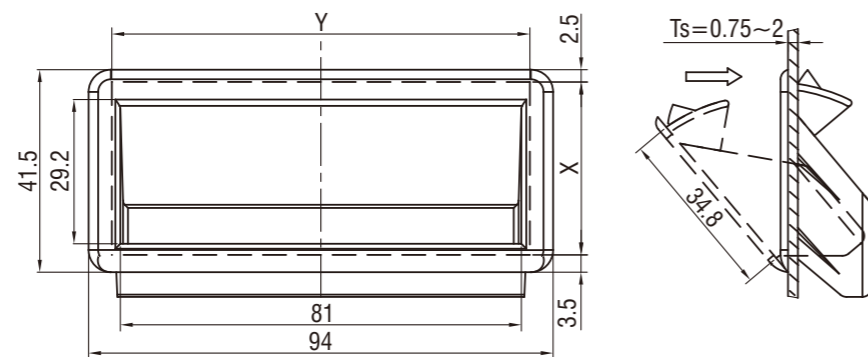
Large size



Panel cutout

Ts(mm)	X	Y
1.5~2	49.8 ^{+0.2}	99.5
2~3	50 ^{+0.3}	99.5

Small size



Panel cutout

Ts(mm)	X	Y
0.75~1	35 ^{+0.2}	85 ^{+0.3}
1~2	36 ^{+0.2}	85 ^{+0.3}

Pa6 GF30 black

Large size

6602-02

Small size

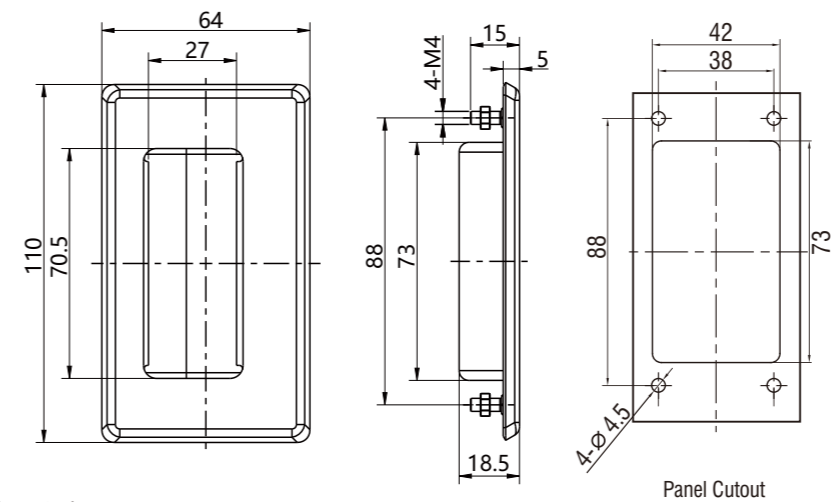
6602-04

Pocket Pull

6602

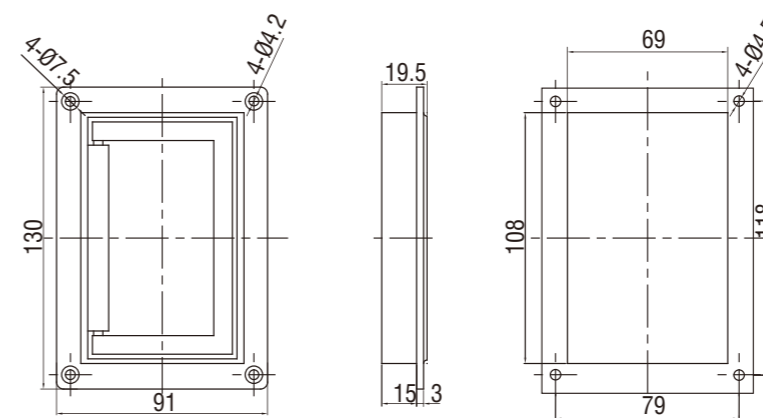
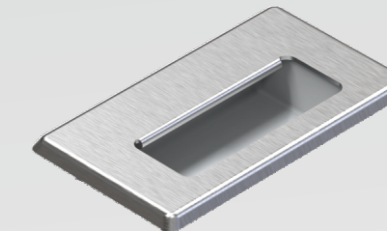
Pocket Pull

6604, 6606, 6616



Stainless steel

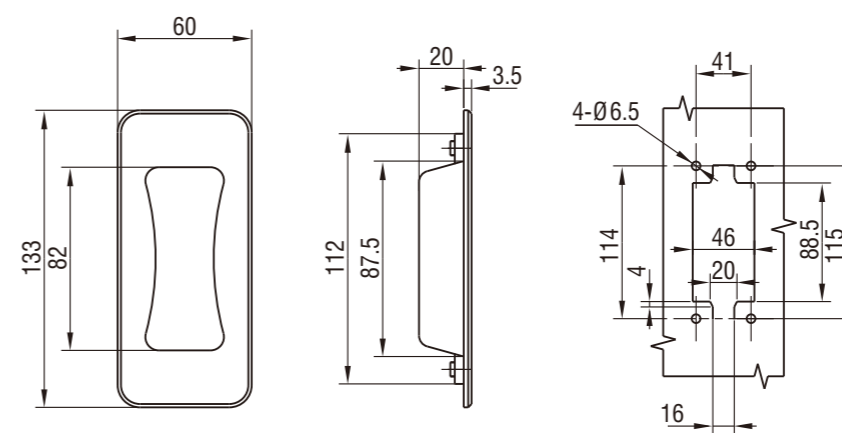
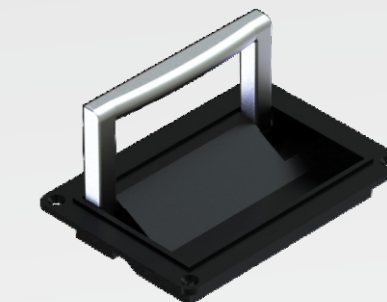
6604-02

STAINLESS
SERIES

Zinc die, black powder coated

6606-02

Panel Cutout



Zinc die, black powder coated

6616-02-40

NEW

