

Screw-on Hinge

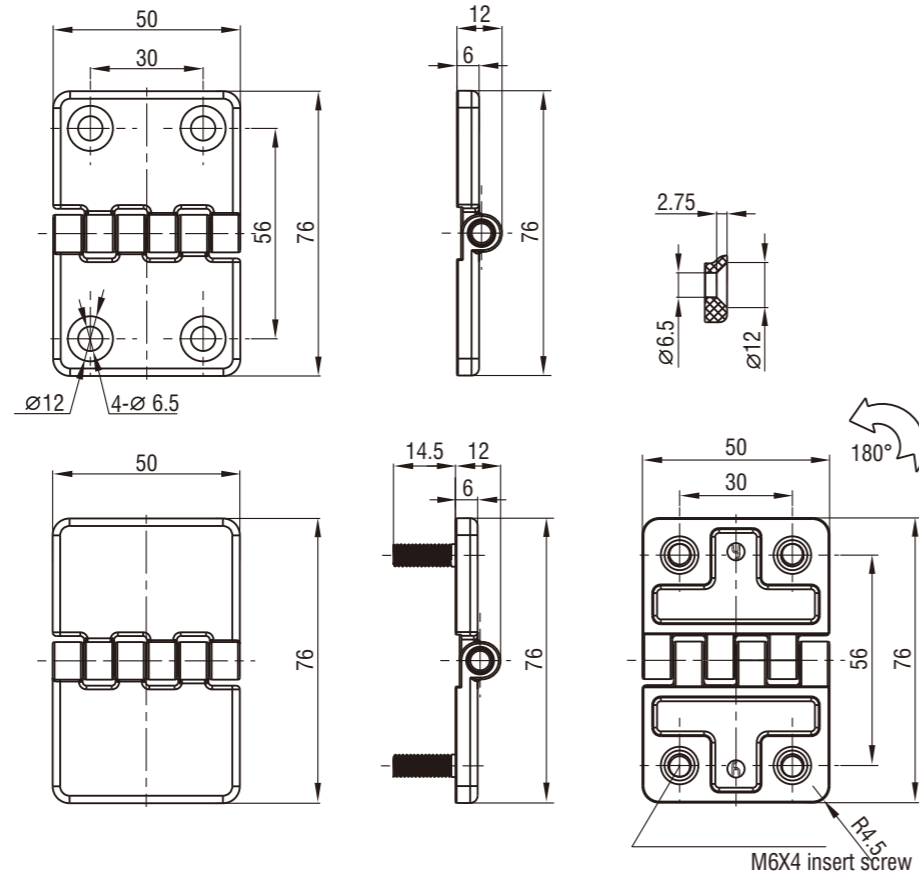
4204, 4208

Screw-on Hinge

4210, 4212

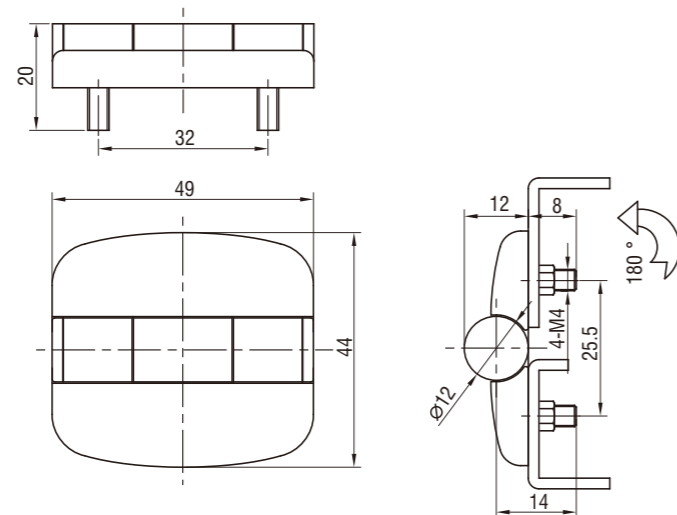


Countersunk Screw M6



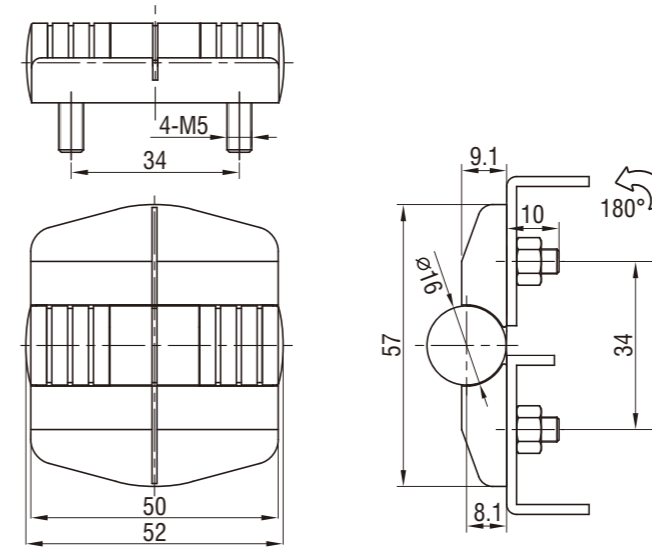
Zinc die, m.s. zinc plated or SUS pin and threaded studs, black powder coated or bright chrome, textured chrome plated

Finish	Countersunk Screw M6	With Threaded Studs M6
Black Powder Coated	4204-1520-20	4204-1522-40
Bright Chrome	4204-1520-60	
Textured Chrome Plated		4204-1522-158



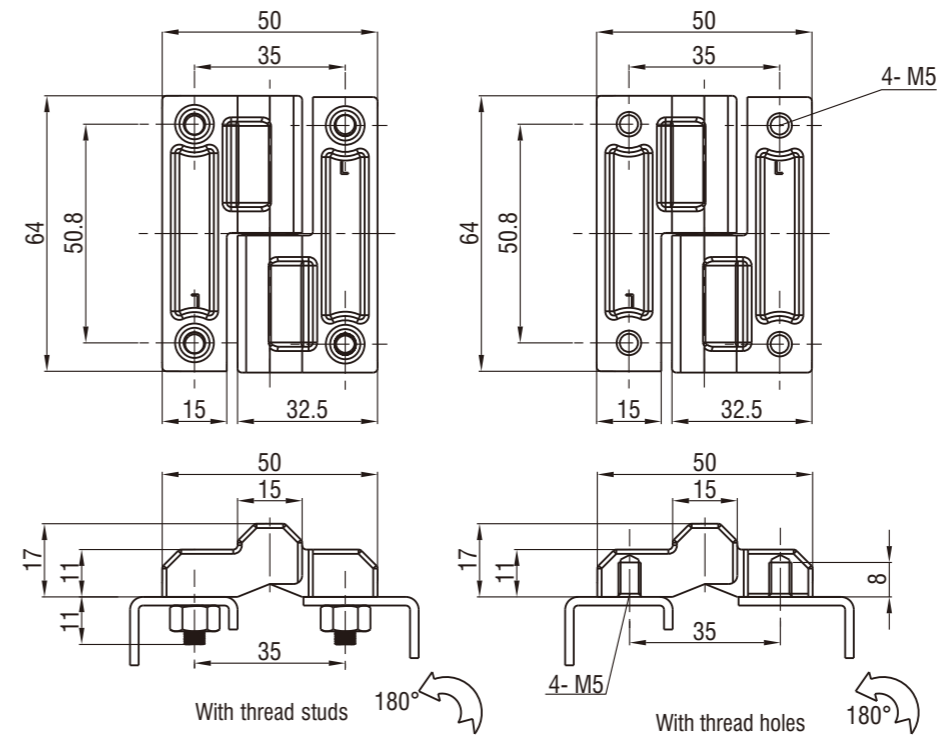
POM and PA black

Free-Swinging	120, 170 Detented open angle
4208-0-180	4208-10-180



POM and PA black

Free-Swinging	2105-0-90		
Positioning Torque N.M	Detented open angle : 80°	Detented open angle : 115°	Detented open angle : 150°
0.7	4210-16014-180	4210-203014-180	4210-30014-180
1.1	4210-16022-180	4210-23022-180	4210-30022-180
1.7	4210-16034-180	4210-23034-180	4210-30034-180



Zinc die, m.s. zinc plated or SUS pin and threaded studs, black powder coated or bright chrome

	With thread studs	With thread hole
Version A (Left)	4212-1002-L40	4212-1000-L20
Version B (Right)	4212-1002-R40	4212-1000-R20

