

# Concealed Hinge

4816

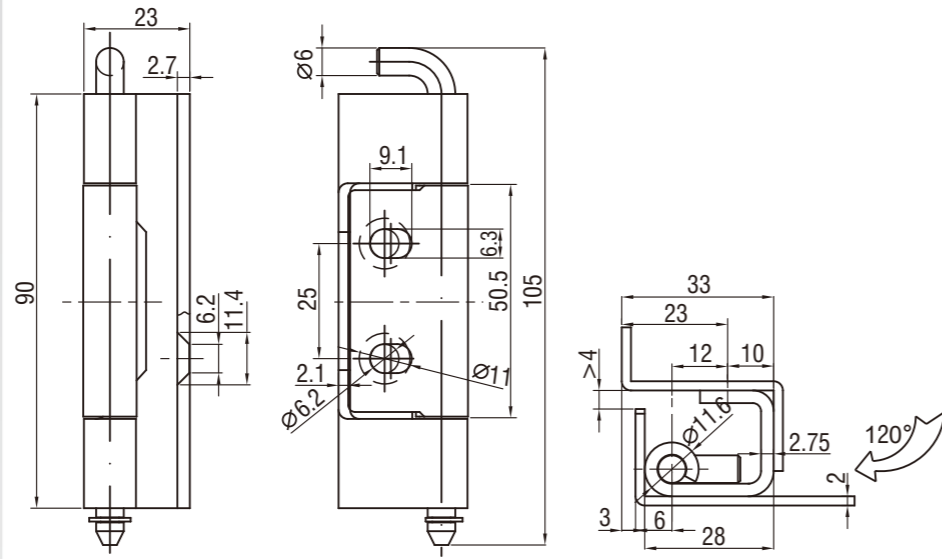
# Concealed Hinge

4816, 4818



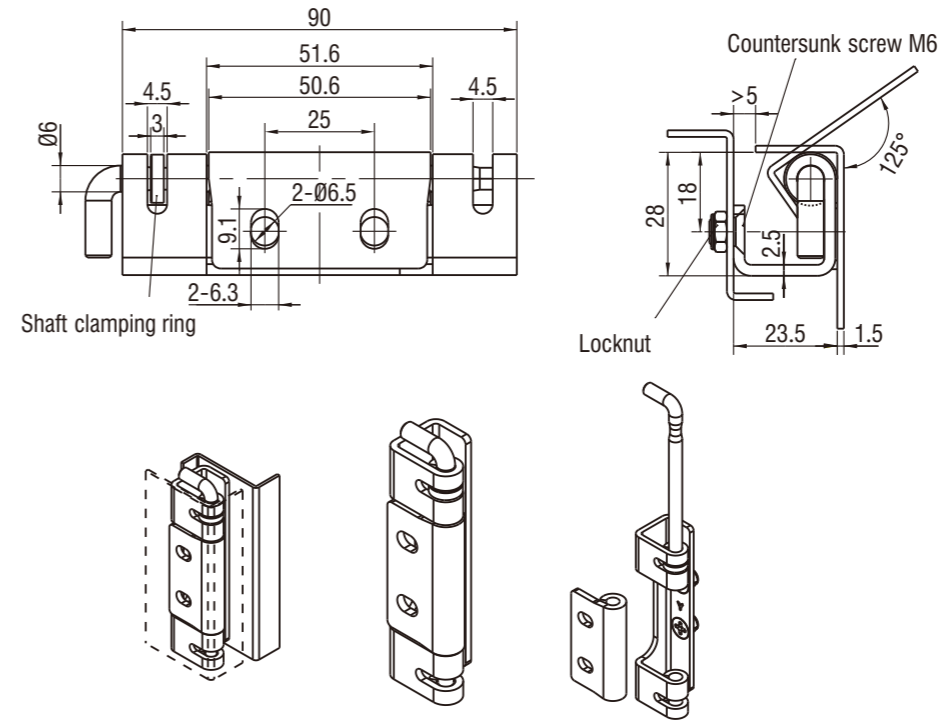
Index

Hinges



M.S. zinc plated or stainless steel

SUS 304	Steel
4816-02-608	4816-02-02

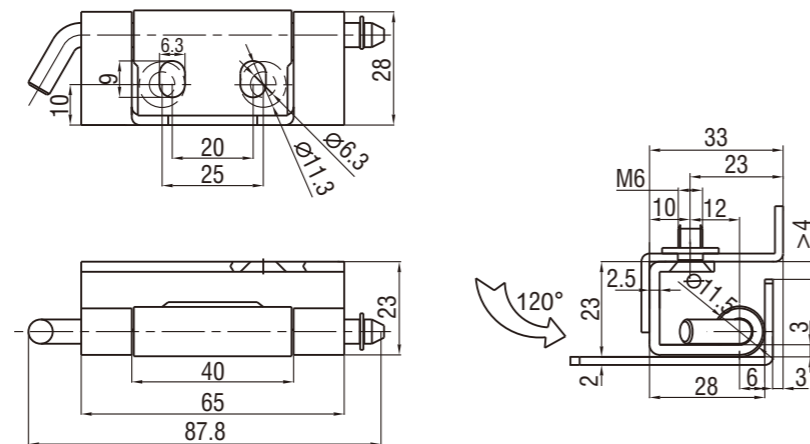


M.S. zinc plated or stainless steel, shaft clamping ring, POM, red

SUS 304	M.S. zinc plated
4816-06-608	4816-06-02

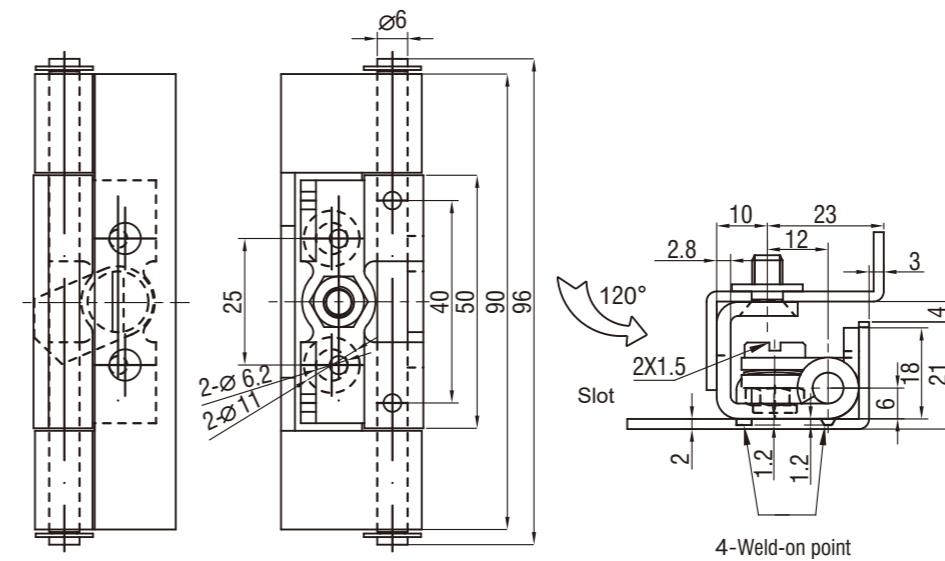
Index

Hinges



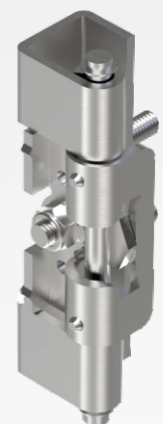
M.S. zinc plated or stainless steel

SUS 304	Steel
4816-04-608	4816-04-02



M.S. zinc plated or stainless steel

SUS 304	Steel
4818-608	4818-02



Index

Hinges