

# Swell Action Latch

2518

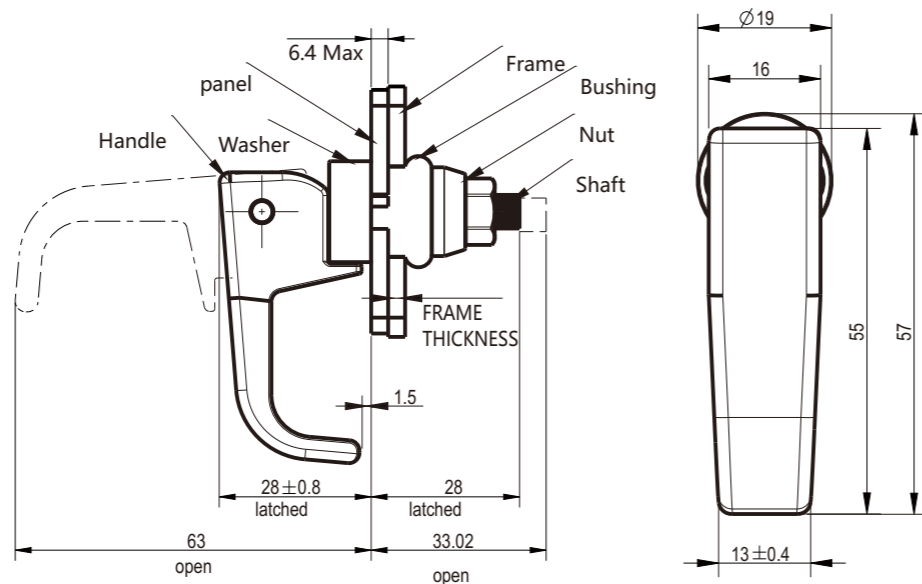
# Over-center Draw Latch

2522

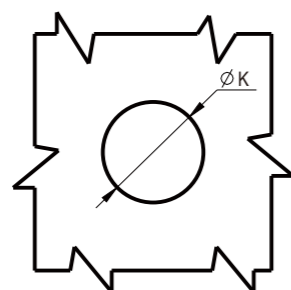
Index

Locks

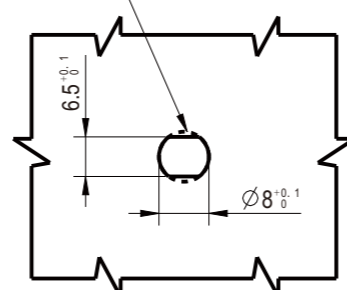
NEW



Optional: Round hole installation.  
Caution: Handle orientation will shift with use and loosen.



Frame Panel Cutout



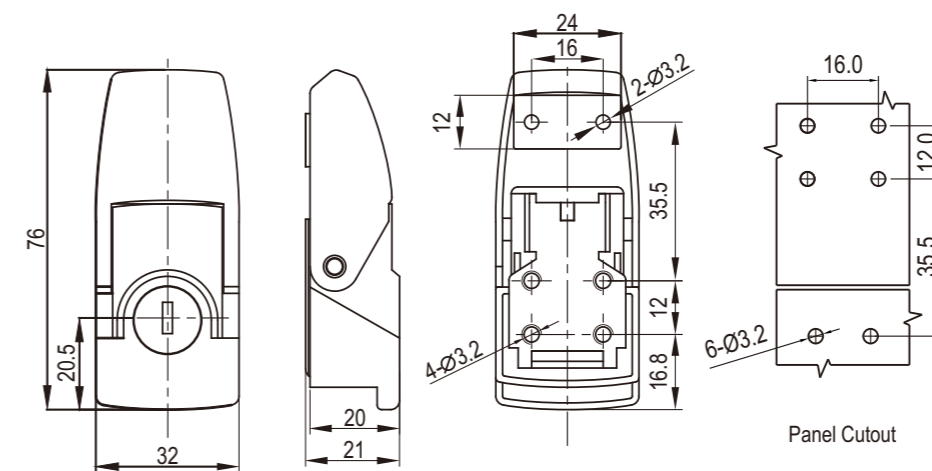
Frame Panel Cutout

Frame thickness(mm)	Ø K <sup>+0.5</sup> Frame Panel cutout	Rated load(short term)
1.2~3.2	19	300N
3.2~4.8	19.5	660N
4.8~6.4	20	550N
6.4	20.5	220N
6.4 and up	20.5	220N

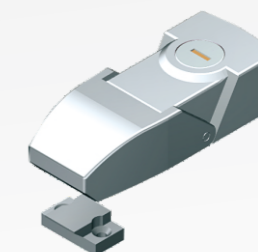
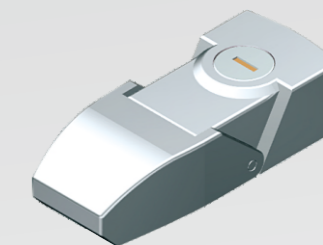
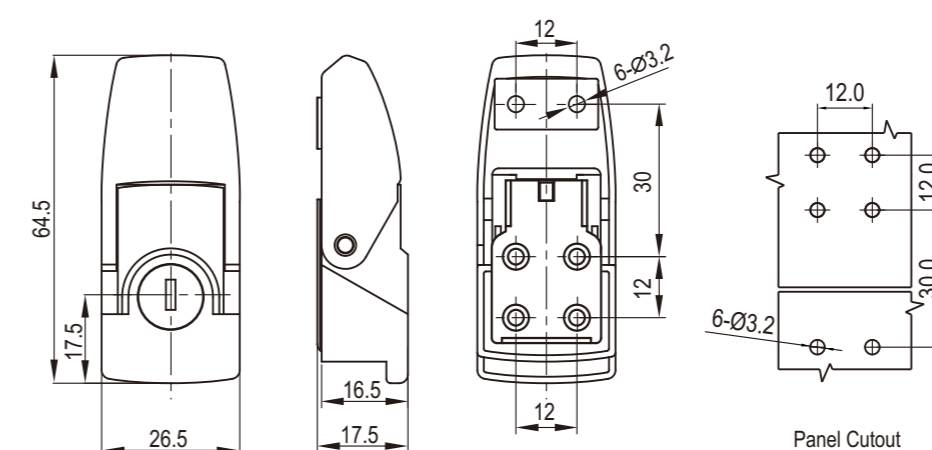
Handle: zinc alloy, black textured powder coated; washer: acetal

Black Textured Powder Coated	2518-02-40
------------------------------	------------

Large size



Small size



Zinc die, black smooth powder coated or bright chrome

		Key Locking	Non-Locking
Black Smooth Powder Coated	Large size	2522-220-20	2522-200-20
	Small size	2522-420-20	2522-400-20
Bright chrome	Large size	2522-110-60	2522-200-60
	Small size	2522-420-60	2522-400-60

Index

Locks