

Compression latch, Square face, Large version, adjustable grip range

2872

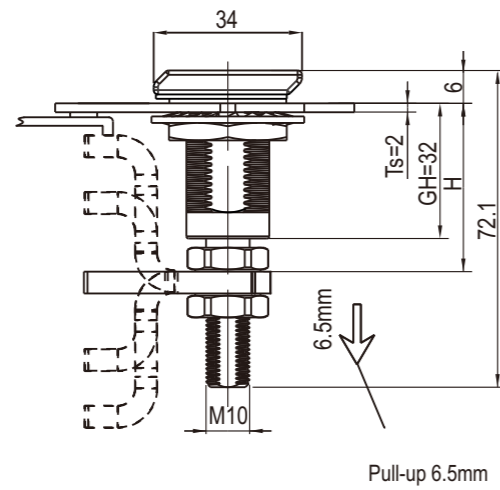
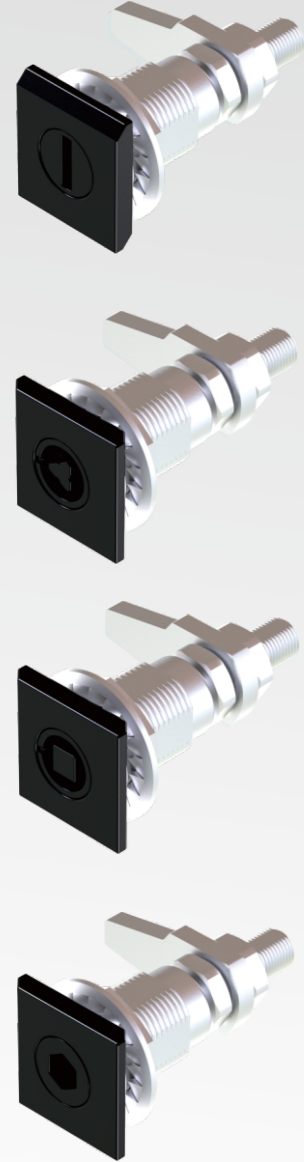
Compression latch, Square face, Large version, adjustable grip range, insert without circle

2872

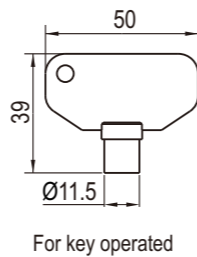
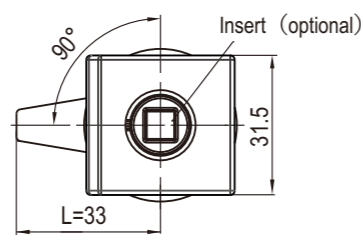
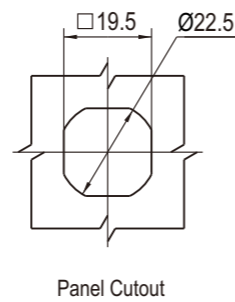
Index

Locks

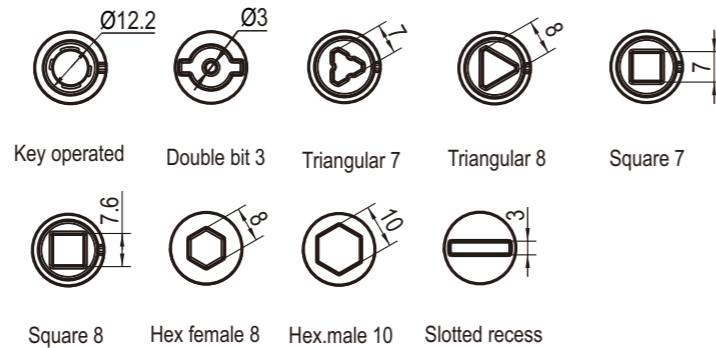
RL IP65



Optional components, need to be ordered separately



(part#) : 18400-2844-160



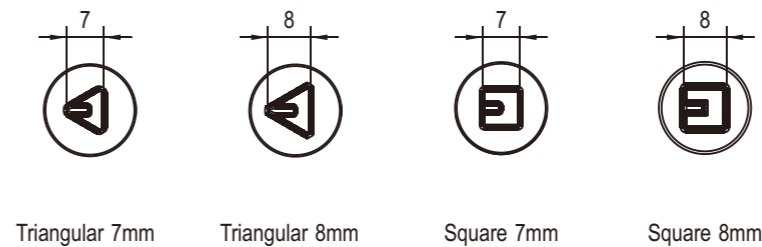
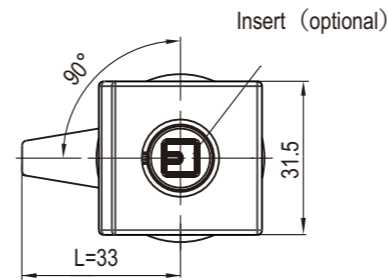
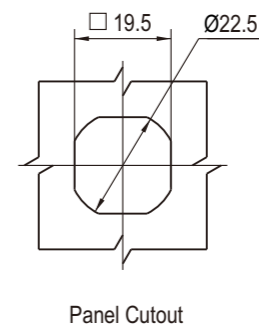
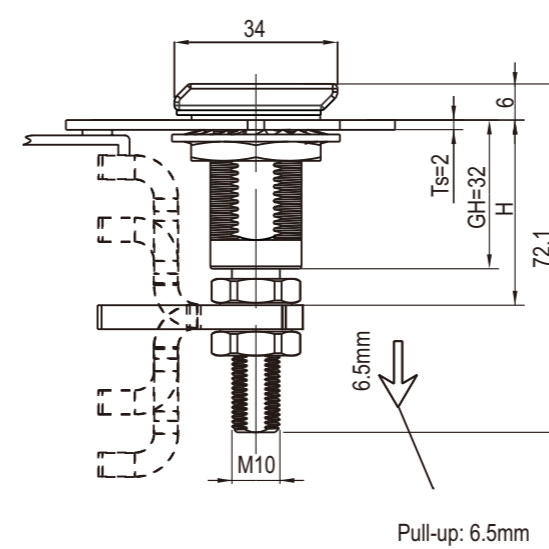
Zinc die housing, cylinder; black smooth powder coated or bright chrome, m.s. zinc plated cam and shaft

Shaft style	Cam Style BH	Grip Range		Cylinder Style								
		Min	Max	Key Operated	Double Bit 3mm	Triangular 7mm	Triangular 8mm	Square 7mm	Square 8mm	Slotted recess	Hexagon female 8mm	Hexagon male 10mm
Long Shaft	Reversed Cam	11.4	27.2	2872-40-L3020	2872-026-L3020	2872-074-L3020	2872-076-L3020	2872-094-L3020	2872-096-L3020	2872-10-L3020	2872-136-L3020	2872-120-L3020
		25.4	41.1	2872-40-L5020	2872-026-L5020	2872-074-L5020	2872-076-L5020	2872-094-L5020	2872-096-L5020	2872-10-L5020	2872-136-L5020	2872-120-L5020
	Straight Cam	38.9	54.6	2872-40-L7020	2872-026-L7020	2872-074-L7020	2872-076-L7020	2872-094-L7020	2872-096-L7020	2872-10-L7020	2872-136-L7020	2872-120-L7020
		52.6	68.3	2872-40-L5020	2872-026-L5020	2872-074-L5020	2872-076-L5020	2872-094-L5020	2872-096-L5020	2872-10-L5020	2872-136-L5020	2872-120-L5020
	Offset Cam	66.3	76.2	2872-40-L3020	2872-026-L3020	2872-074-L3020	2872-076-L3020	2872-094-L3020	2872-096-L3020	2872-10-L3020	2872-136-L3020	2872-120-L3020

Index

Locks

RL IP65



Zinc die housing, cylinder; black smooth powder coated or bright chrome, m.s. zinc plated cam and shaft

Shaft style	Cam Style BH	Grip Range		Cylinder Style			
		Min	Max	Triangular 7mm	Triangular 8mm	Square 7mm	Square 8mm
Long Shaft	Reversed Cam	11.4	27.2	2872-0742-L3020	2872-0762-L3020	2872-0942-L3020	2872-0962-L3020
		25.4	41.1	2872-0742-L5020	2872-0762-L5020	2872-0942-L5020	2872-0962-L5020
	Straight Cam	38.9	54.6	2872-0742-L7020	2872-0762-L7020	2872-0942-L7020	2872-0962-L7020
		52.6	68.3	2872-0742-L5020	2872-0762-L5020	2872-0942-L5020	2872-0962-L5020
	Offset Cam	66.3	76.2	2872-0742-L3020	2872-0762-L3020	2872-0942-L3020	2872-0962-L3020

Compression latch, Square face, Large version, Fixed grip range, insert without circle

2872

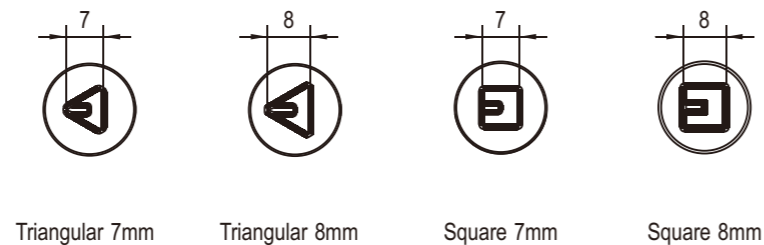
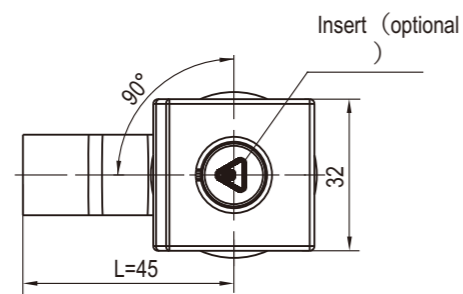
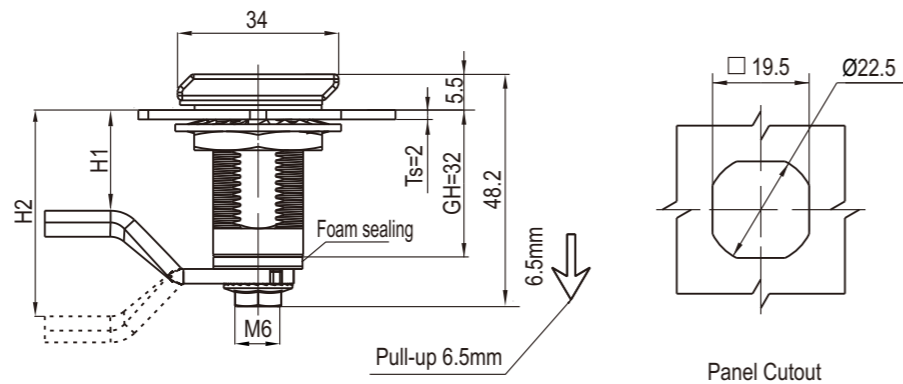
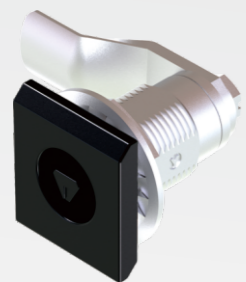
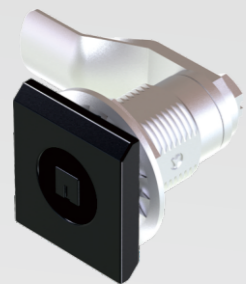
Compression latch, Square face, Large version, Fixed grip range

2872

Index

Locks

RL IP65



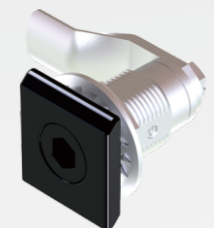
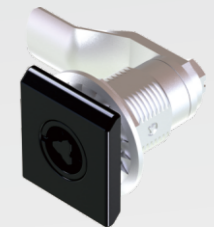
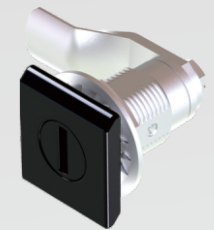
Zinc die housing cylinder; black smooth powder coated or bright chrome, m.s. zinc plated cam and shaft

Shaft style	Cylinder Style	
Short shaft	Triangular 7mm	2872-0742-S20
	Triangular 8mm	2872-0762-S20
	Square 7mm	2872-0942-S20
	Square 8mm	2872-0962-S20

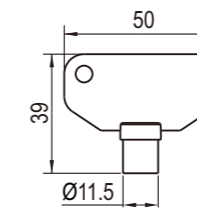
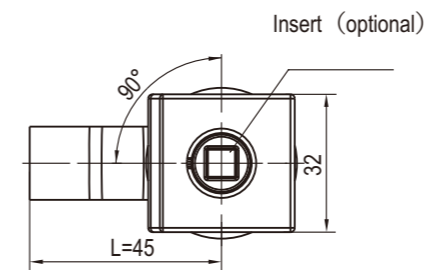
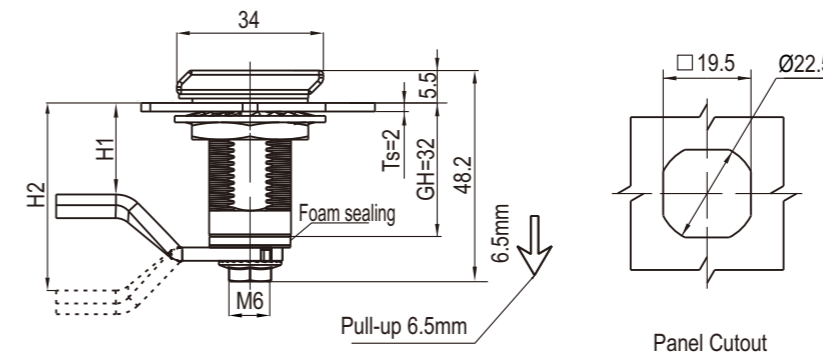
Index

Locks

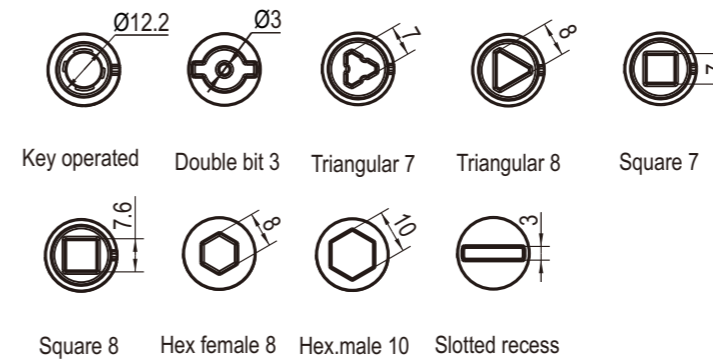
IP65



Optional components, need to be ordered separately



For key operated (part#) : 18400-2844-160



Zinc die housing cylinder; black smooth powder coated or bright chrome, m.s. zinc plated cam and shaft

Shaft style	Cylinder Style	
Short shaft	Key operated	2872-40-S20
	Double bit 3mm	2872-026-S20
	Triangular 7mm	2872-074-S20
	Triangular 8mm	2872-076-S20
	Square 7mm	2872-094-S20
	Square 8mm	2872-096-S20
	Slotted recess	2872-10-S20
	Hex female 8mm	2872-136-S20
Hex.male 10mm	2872-120-S20	