

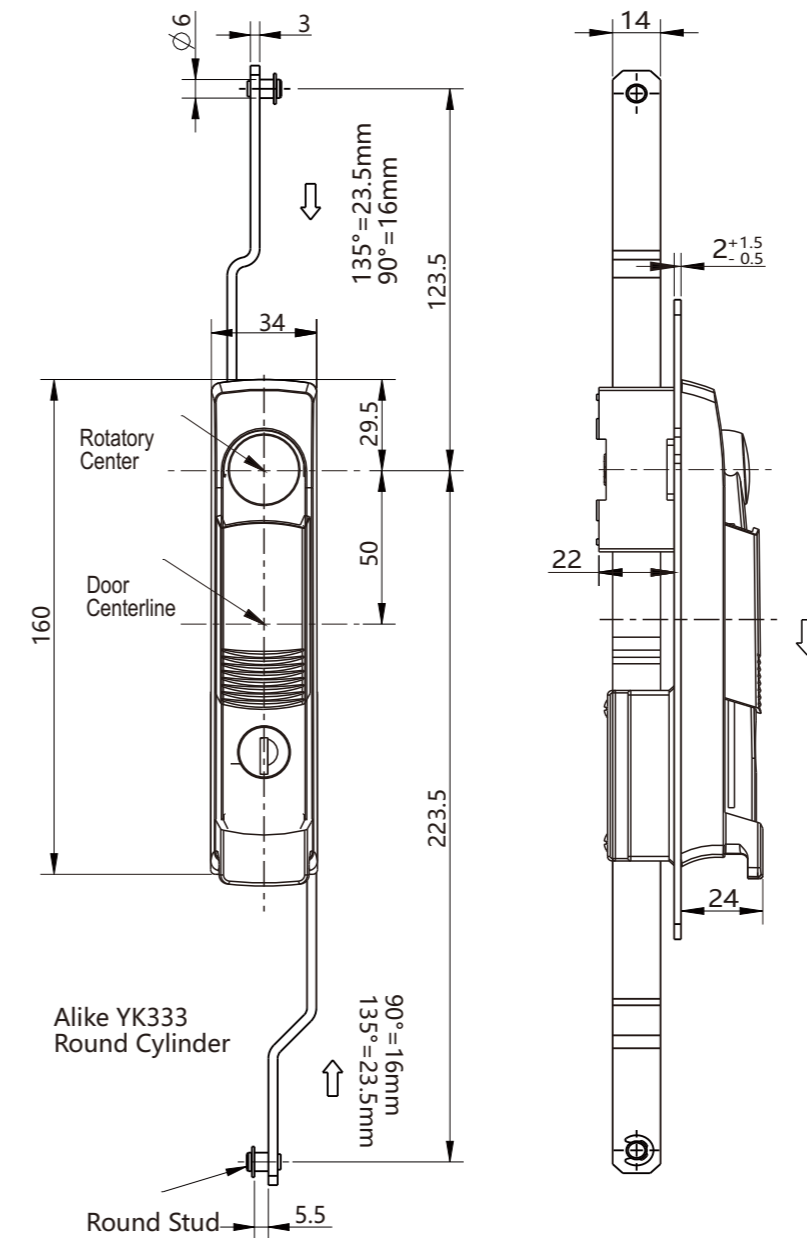
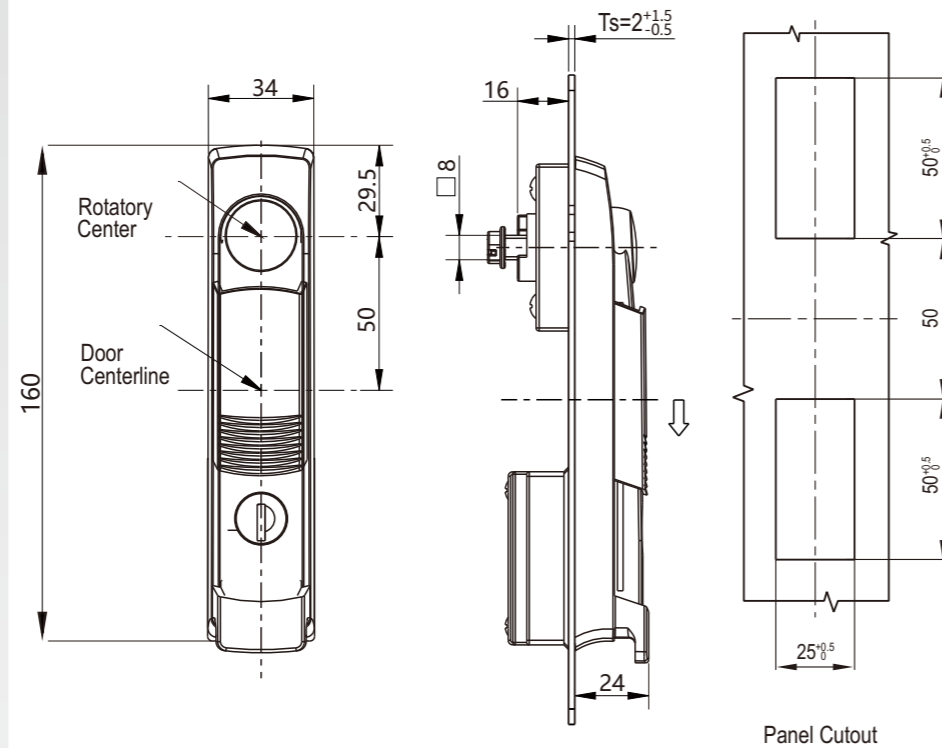
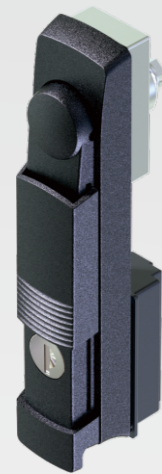
Swinghandle

2204

Rod Control Swinghandle

2204

Index
Locks



Note: IP65 can be customized

Accessories ref. to page #
1. CAM ref. to page 9A-001

Remark
1. Key different on request
2. CH751 key code on request
3. Keyed YK333

PA lock body, zinc die shaft, m.s. zinc plated fixing parts

Cylinder style	Version A(Cam control)
	With Dust Cap
Alike YK333 Round Cylinder	2204-2002-C

PA lock body, zinc die casting rod control and shaft, m.s. zinc plated flat rod

Cylinder style	Version B(2P.rod control)	Version C(3P.rod control)
	With Dust Cap	With Dust Cap
Alike YK333 Round Cylinder	2204-4002-C	2204-6002-C

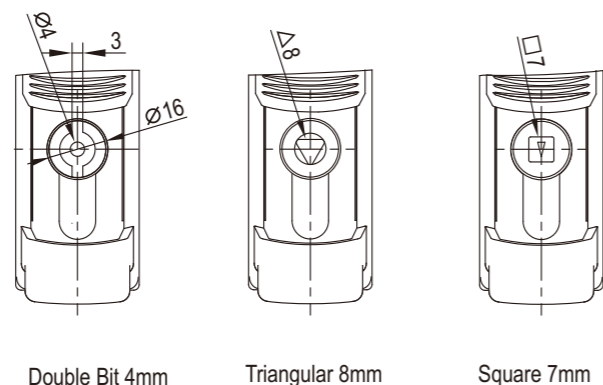
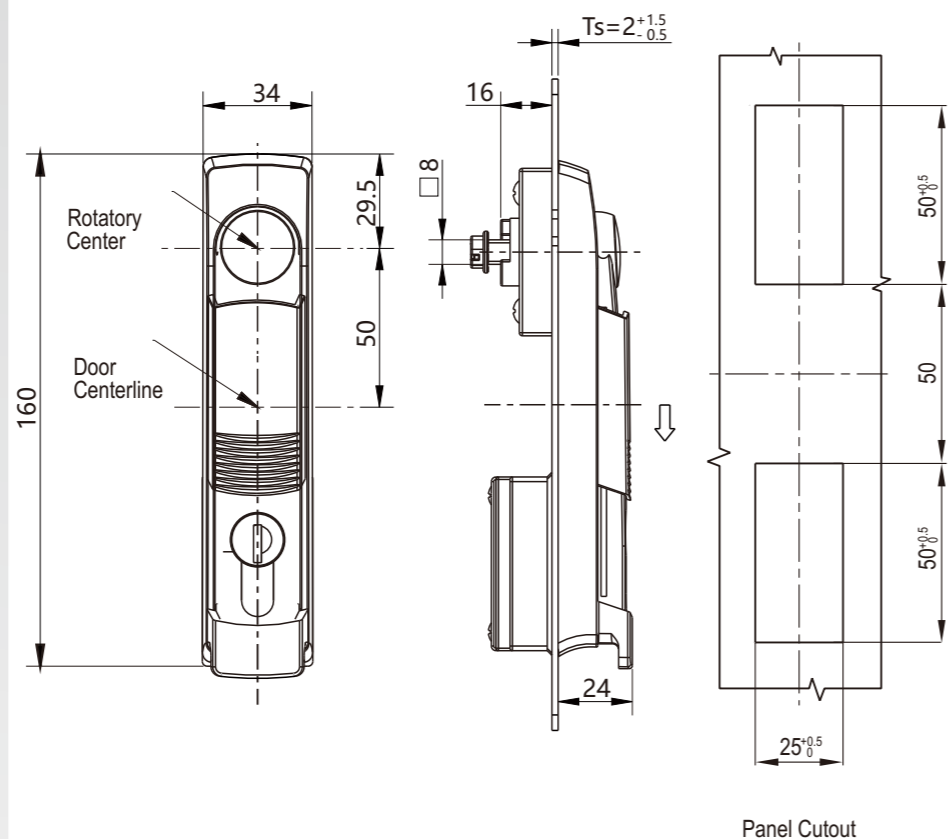
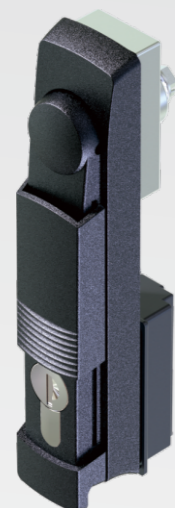


Note: IP65 can be customized

Accessories ref. to page #
1. CAM ref. to page 9A-001
2. Rod control 1193 series

Remark
1. Key different on request
2. CH751 key code on request
3. Keyed YK333

Index
Locks

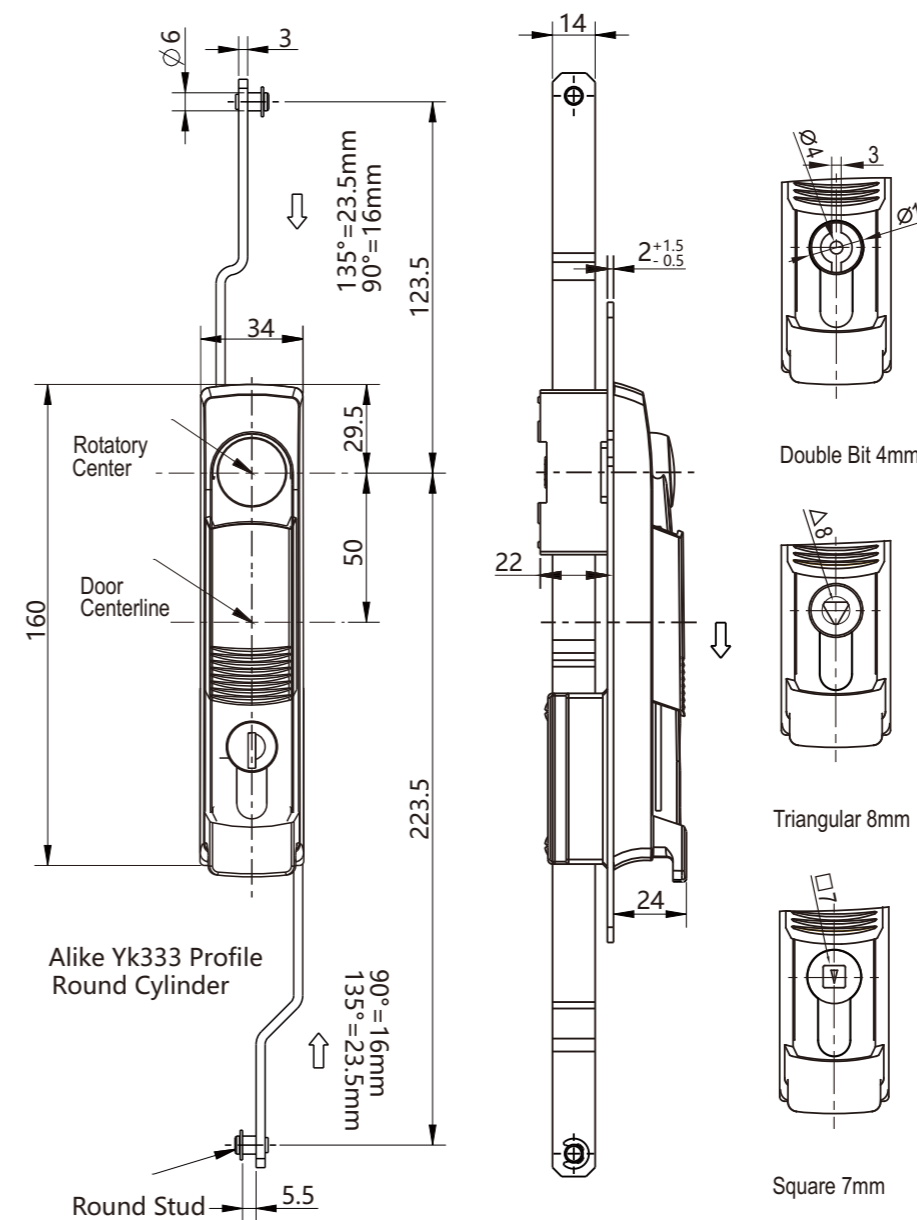


PA lock body, zinc die shaft, m.s. zinc plated fixing parts

Cylinder style	Version A(Cam control)	
	With Dust Cap	
Alike YK333 Profile Round Cylinder	2204-2P04-C	
Double Bit 4mm	2204-2P04-C	
7mm Square 7mm	2204-2P06-C	
Triangular 8mm	2204-2P08-C	

Rod Control Swinghandle

2204



PA lock body, zinc die casting rod control and shaft, m.s. zinc plated flat rod

Cylinder style	Version B(2P.rod control)		Version C(3P.rod control)	
	With Dust Cap		With Dust Cap	
Alike YK333 Profile Round Cylinder	2204-4P02-C		2204-6P02-C	
Double Bit 4mm	2204-4P04-C		2204-6P02-C	
Square 7mm	2204-4P06-C		2204-6P06-C	
Triangular 8mm	2204-4P08-C		2204-6P08-C	



Note: IP65 can to be customized

Accessories ref. to page #
1. CAM ref. to page 9A-001
2. Rod control 1193 series

Remark
1. Key different on request
2. CH751 key code on request
3. Keyed YK333



Note: IP65 can to be customized

Accessories ref. to page #
1. CAM ref. to page 9A-001

Remark
1. Key different on request
2. CH751 key code on request
3. Keyed YK333

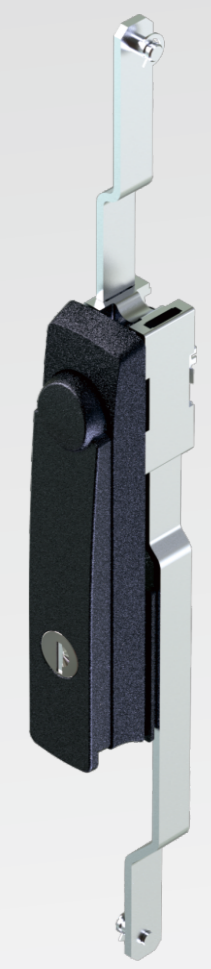
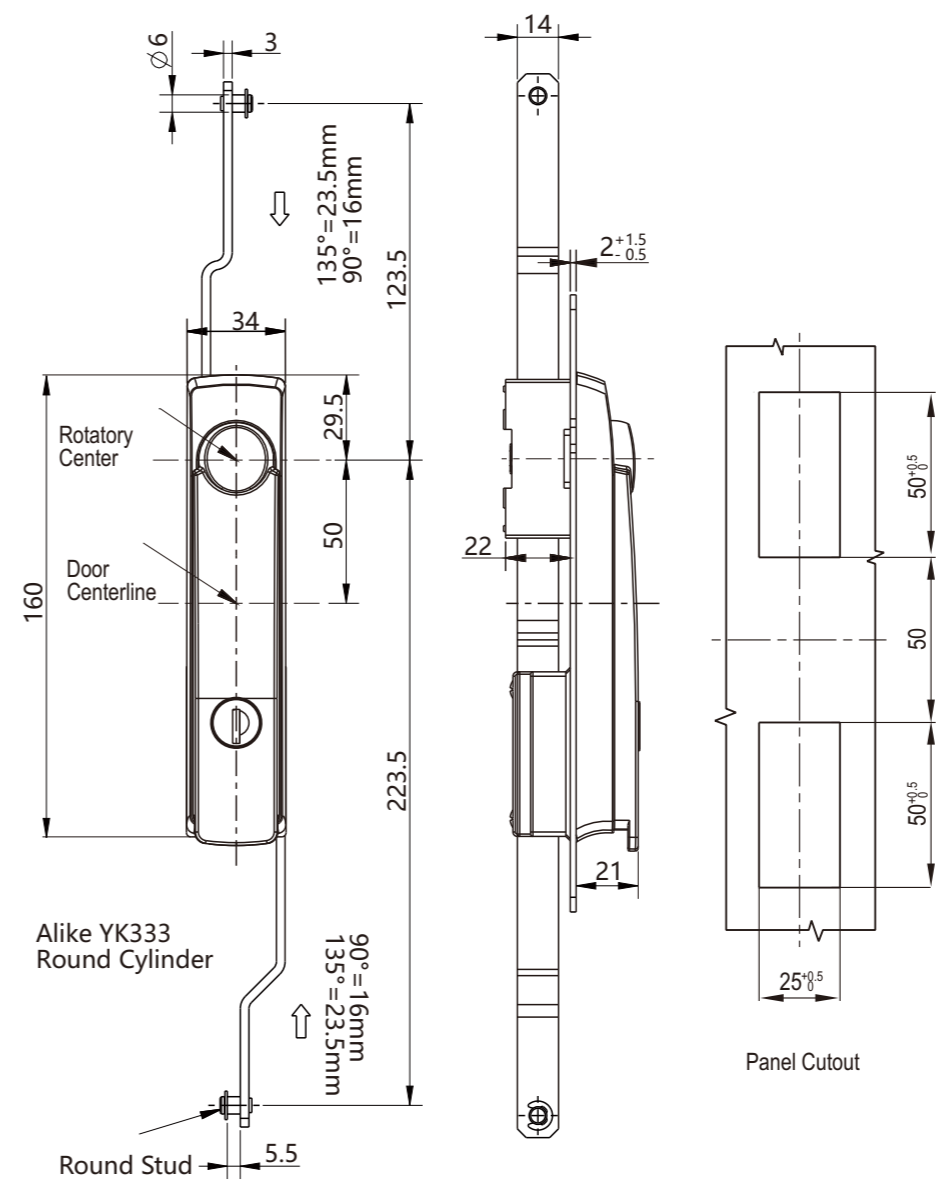
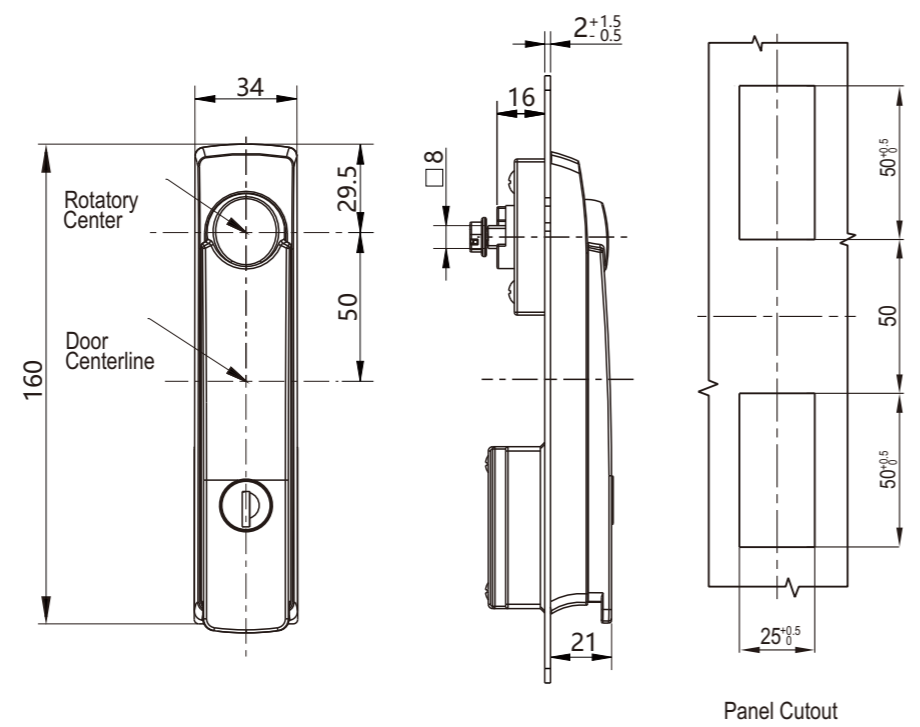
Swinghandle

2204

Rod Control Swinghandle

2204

Index
Locks



Note: IP65 can be customized

Accessories ref. to page #
1. CAM ref. to page 9A-001

Remark
1. Key different on request
2. CH751 key code on request
3. Padlockable on request
4. Keyed YK333

PA lock body, zinc die shaft, m.s. zinc plated fixing parts

	Version A(Cam control)
Zinc die handle, PA lock housing	2204-2004-NC



Note: IP65 can be customized

Accessories ref. to page #
1. CAM ref. to page 9A-001
2. Rod control 1193 series

Remark
1. Key different on request
2. CH751 key code on request
3. Padlockable on request
4. Keyed YK333

PA lock body, zinc die casting rod control and shaft, m.s. zinc plated flat rod

	Version B(2P.rod control)	Version C(3P.rod control)
Zinc die handle, PA lock housing	2204-4004-NC	2204-6004-NC

Swinghandle

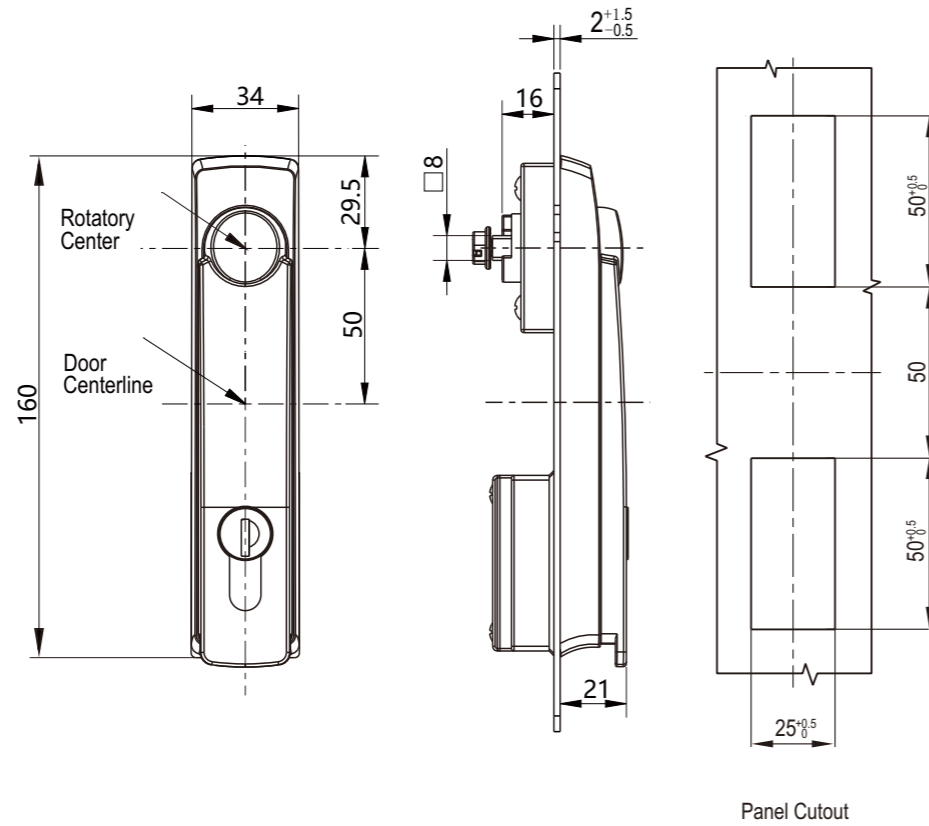
2204

Rod Control Swinghandle

2204

Index

Locks



Note: IP65 can to be customized

Accessories ref. to page #
1. CAM ref. to page 9A-001

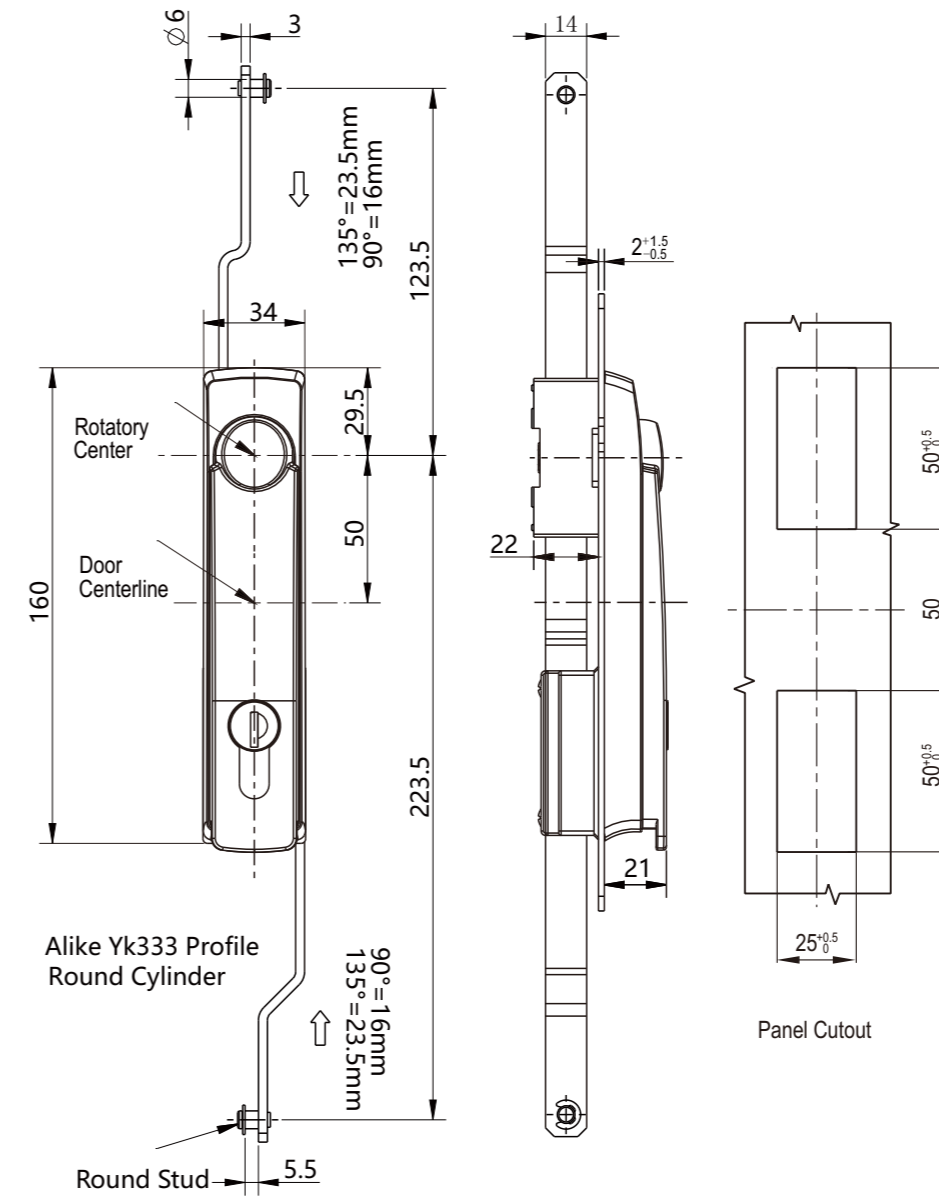
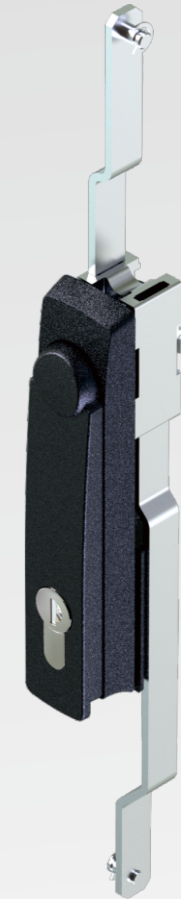
Remark
1. Key different on request
2. CH751 key code on request
3. Padlockable on request
4. Keyed YK333

PA lock body, zinc die shaft, m.s. zinc plated fixing parts

Cylinder style	Version A(Cam control)
Alike YK333 Profile Round Cylinder	2204-2P02-NC
Double Bit 4mm	2204-2P04-NC
Square 7mm	2204-2P06-NC
Triangular 8mm	2204-2P08-NC

Index

Locks



PA lock body, zinc die casting rod control and shaft, m.s. zinc plated flat rod

Cylinder style	Version B(2P.rod control)	Version C(3P.rod control)
Alike YK333 Profile Round Cylinder	2204-4P02-NC	2204-6P02-NC
Double Bit 4mm	2204-4P04-NC	2204-6P04-NC
Square 7mm	2204-4P06-NC	2204-6P06-NC
Triangular 8mm	2204-4P08-NC	2204-6P08-NC



Note: IP65 can to be customized

Accessories ref. to page #
1. CAM ref. to page 9A-001
2. Rod control 1193 series

Remark
1. Key different on request
2. CH751 key code on request
3. Padlockable on request
4. Keyed YK333