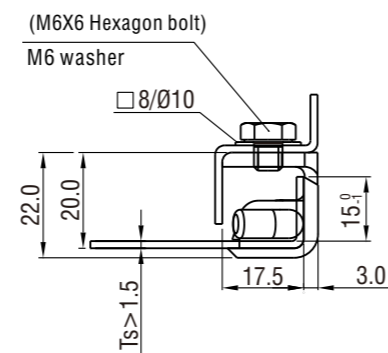
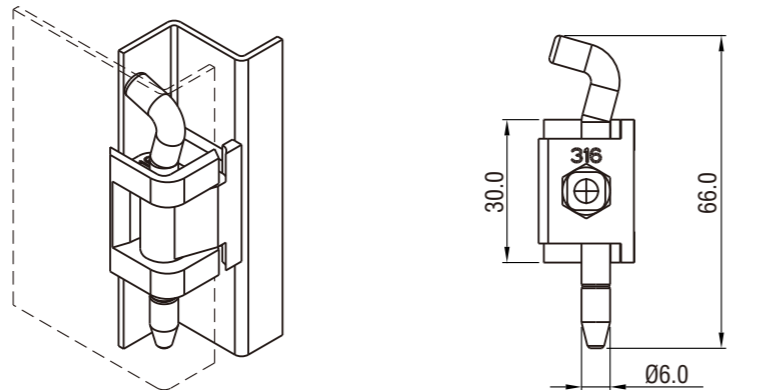
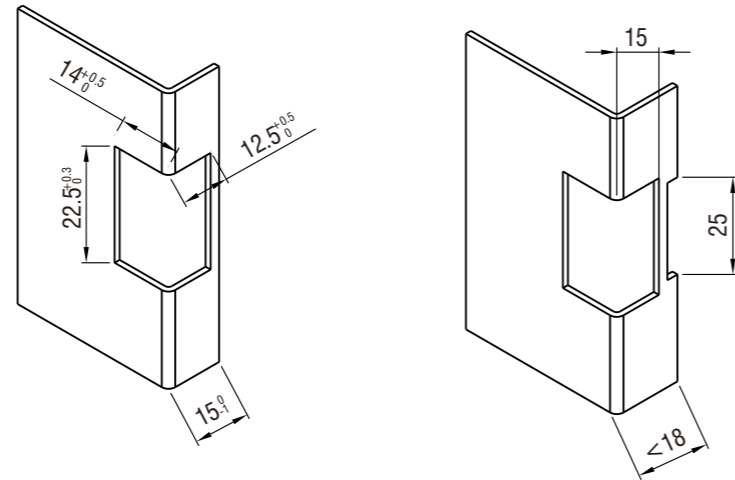




# External Hinge

4648

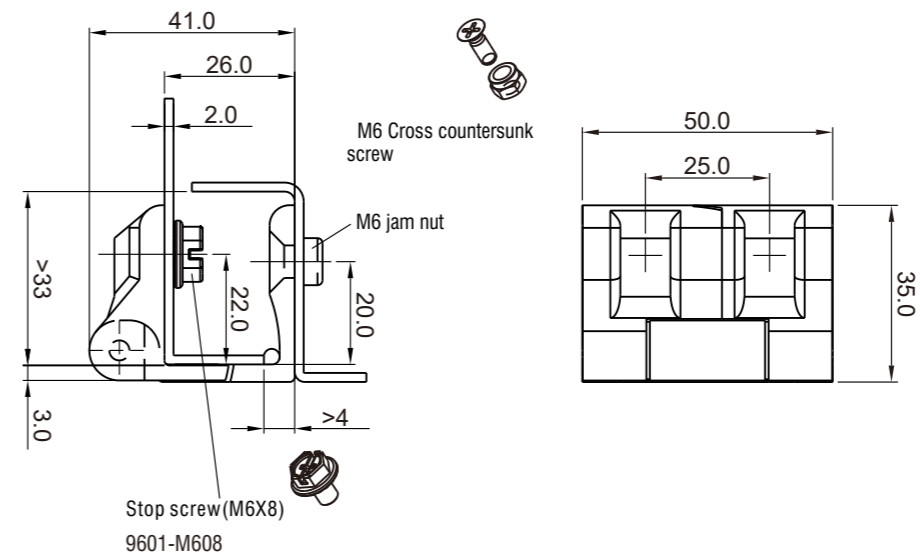


180° hinge SUS 316, pin SUS 303

Panel Thickness	SUS 316
Ts=1.5	4648-30-632
Ts=2.0	4648-40-632

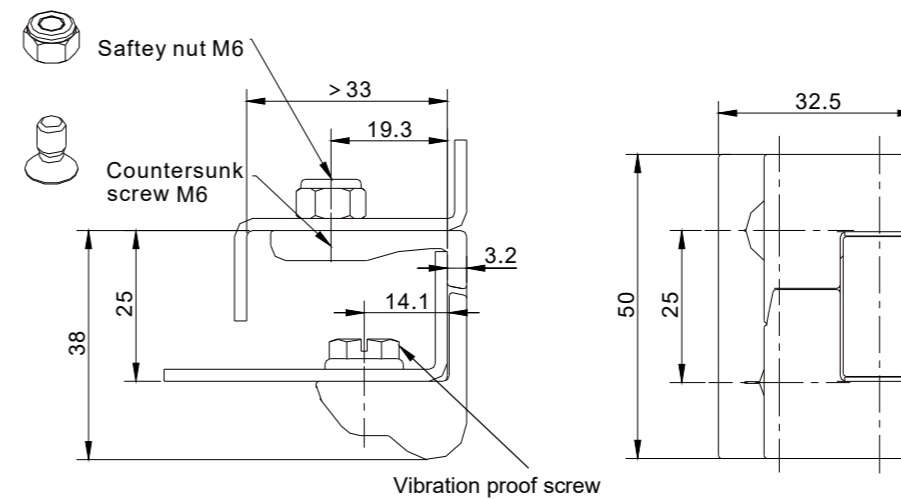
# External Hinge

4652



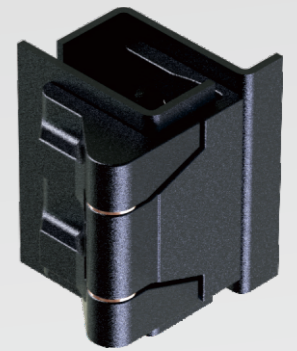
180°hinge zinc die, m.s. zinc plated pin and brass washer

Finish	Black Textured Powder Coated
Zinc Die	4652-1000-40



180°hinge zinc die, m.s. zinc plated pin and brass washer

Finish	Black Textured Powder Coated
Zinc Die	4652-1020-40



Remark:  
The components need to order separately