

Rod Control Swinghandle

2210

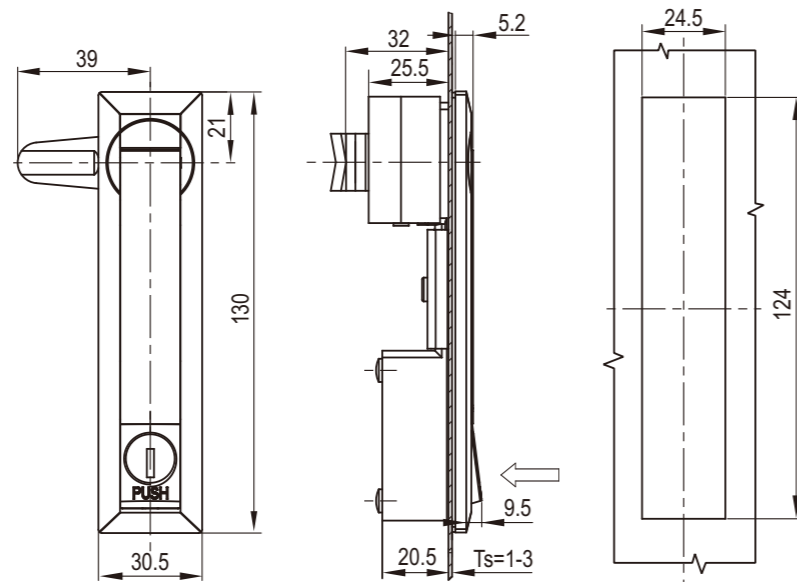
Swinghandle

2212

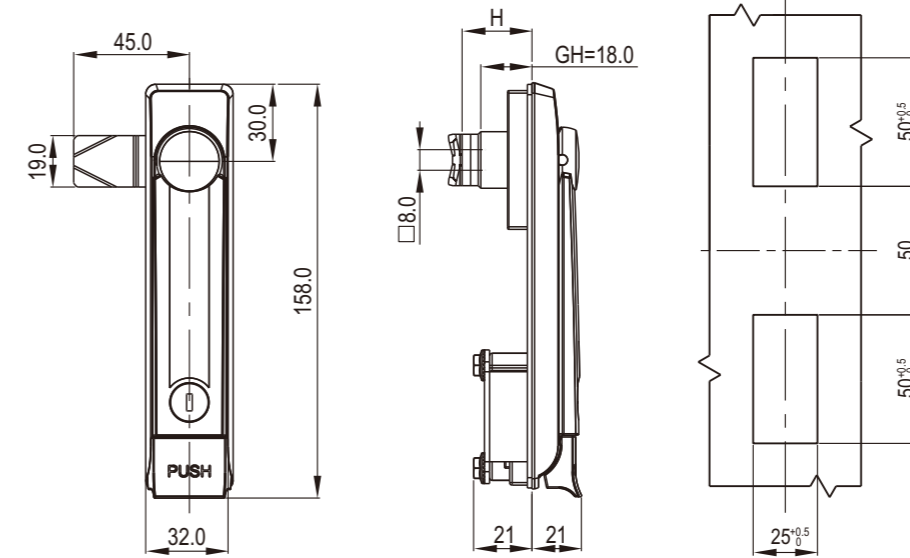
Index

Locks

RL P64 **NEW**



Panel Cutout



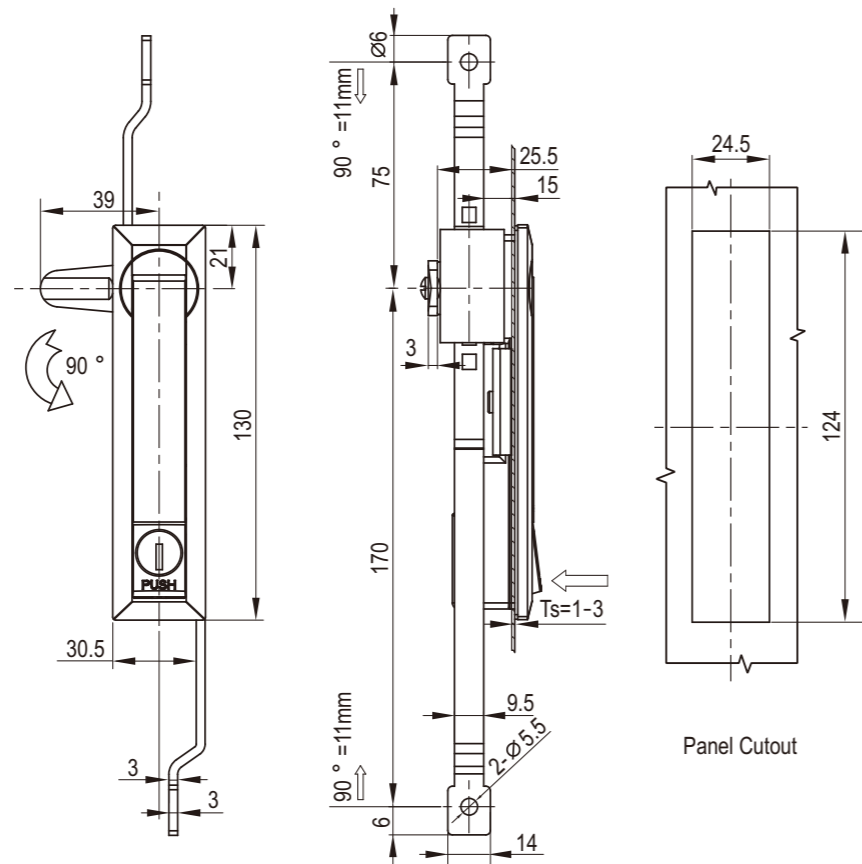
Panel Cutout

RL IP40

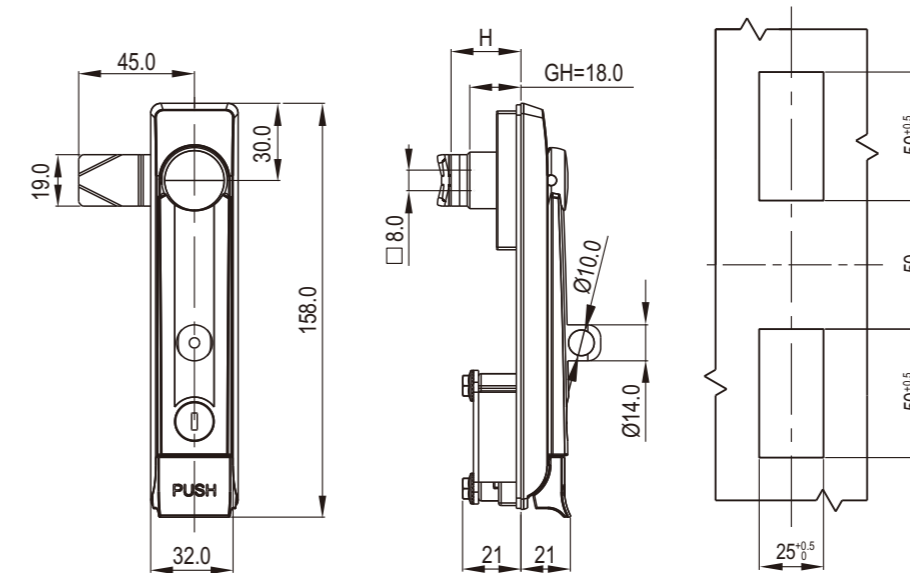


Index

Locks



Panel Cutout



Panel Cutout



Zinc die body, black smooth powder coated or NM spray painting(matte silver)

Version A(Cam control)		Version C(3P.rod control)	
NM spray painting(matte silver)	Black Smooth Powder Coated	NM spray painting(matte silver)	Black Smooth Powder Coated
2210-2002-104	2210-2002-20	2210-6002-104	2210-6002-20

Zinc die handle, housing and button; m.s. zinc plated cam and control rod. Black textured powder coated or chrome plating

Version A(Cam control)		
	Padlockable	Without padlock
Black Textured Powder Coated	2212-2002-40-P	2212-2002-40

Accessories ref. to page #
1. CAM ref. to page 9A-001
2. With non-stopper cam

Remark
1. Padlockable on request

Rod Control Swinghandle

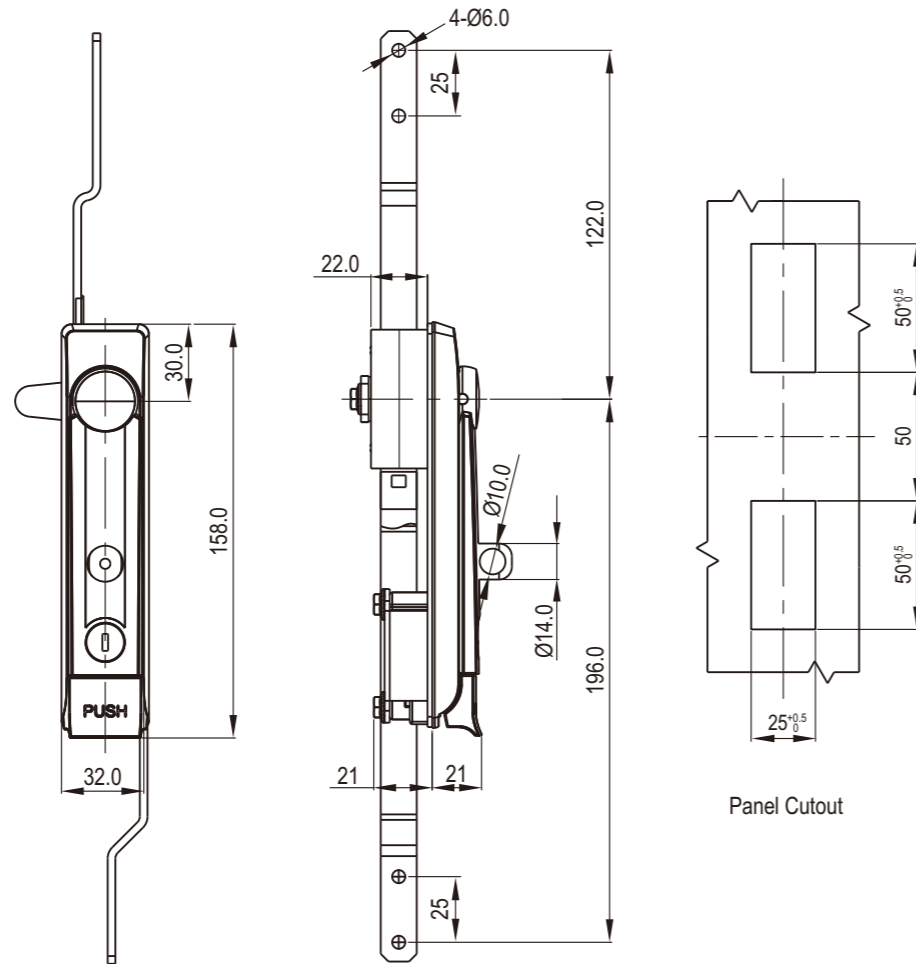
2212

Rod Control Swinghandle

2214

Index

Locks



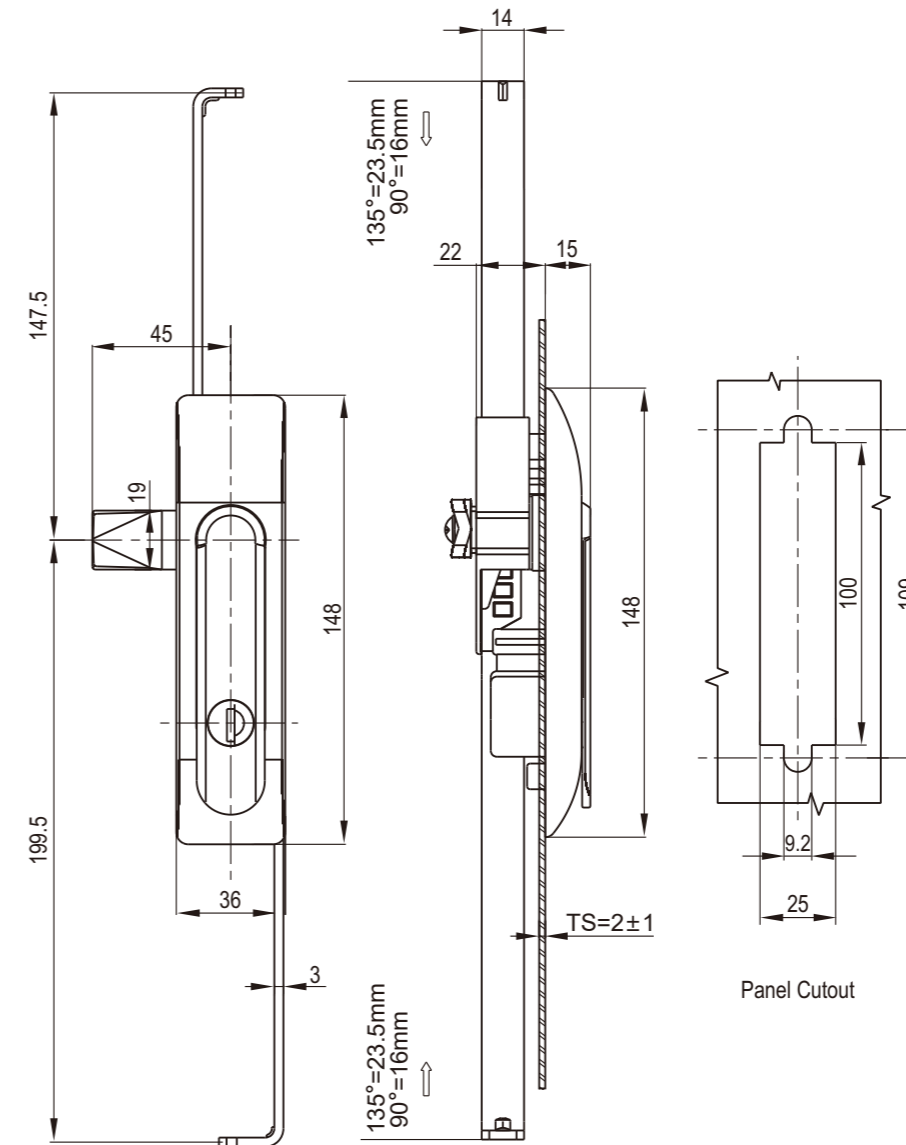
Zinc die handle, housing and button ; m.s. zinc plated cam and control rod. Black textured powder coated or chrome plating

Remark
1. Padlockable on request

Version C(3P.rod control)		
	Padlockable	Without padlock
Black Textured Powder Coated	2212-6002-40-P	2212-6002-40

Index

Locks



Black PA or zinc die housing, zinc die handle black powder coated, m.s. zinc plated control flat rod

Accessories ref. to page #
1. CAM ref. to page 9A-001

Remark
1. Key different on request
2. CH751 key code on request
3. Keyed YK333

Cylinder style	Zinc Die		Zinc die handle, PA lock housing	
	Version B(2P.rod control)	Version C(3P.rod control)	Version B(2P.rod control)	Version C(3P.rod control)
Alike YK333 Round Cylinder	2214-4P02-40	2214-6P02-40	2214-4002-40	2214-6002-40