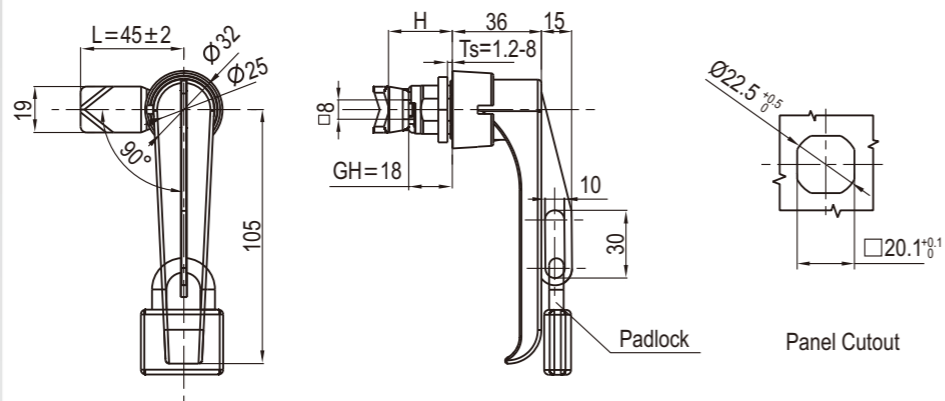


RL  IP65



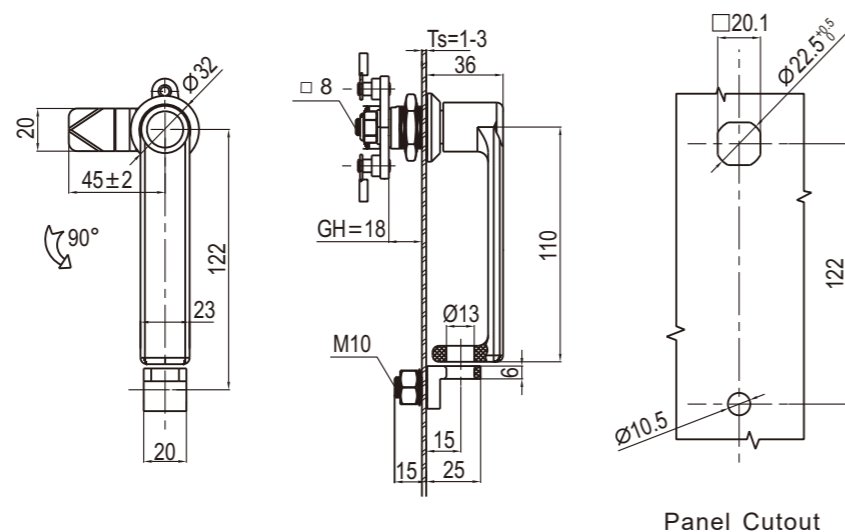
Zinc die cast handle and housing; m.s. zinc plated cam ; stainless steel padlock device

Black Textured Powder Coated	Bright Chrome
2624-20-40	2624-20-60

Accessories ref. page#

1. Cam ref. to page 9A-001

RL  IP65



Zinc die housing and handle; black textured powder coated or bright chrome, m.s. zinc plated cam

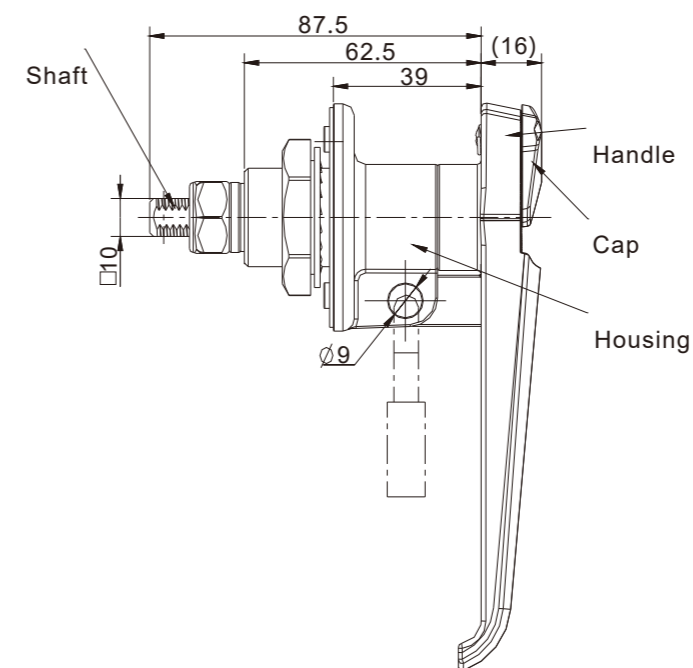
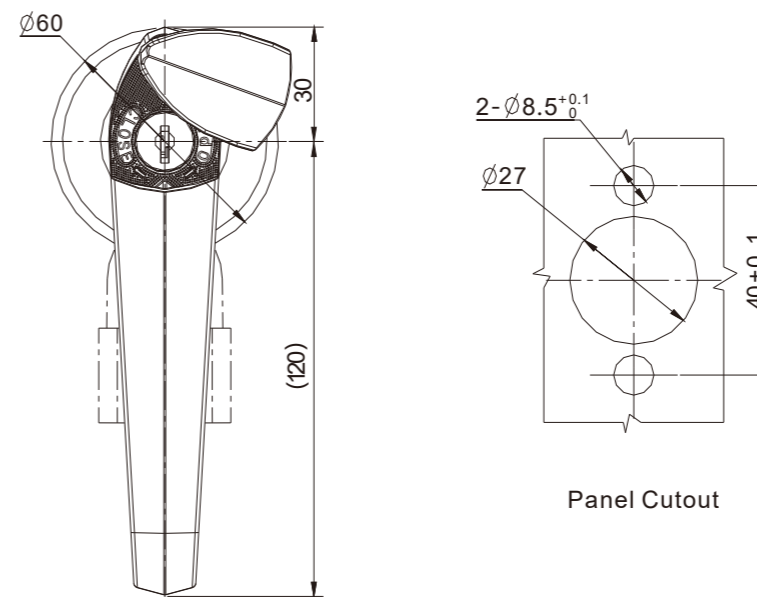
Black Textured Powder Coated	Bright Chrome	SUS 632
2648-20-40	2648-20-60	2648-20-632

Accessories ref. page#

1. Cam ref. to page 9A-001

# Handle Lock

2632



Zinc die handle, housing and cylinder; m.s. zinc plated cam and fixing parts

	Bright Chrome
Left	2632-02-60-PL
Right	2632-02-60-PR

RL  IP65

