

# Compression Latch

## 2480

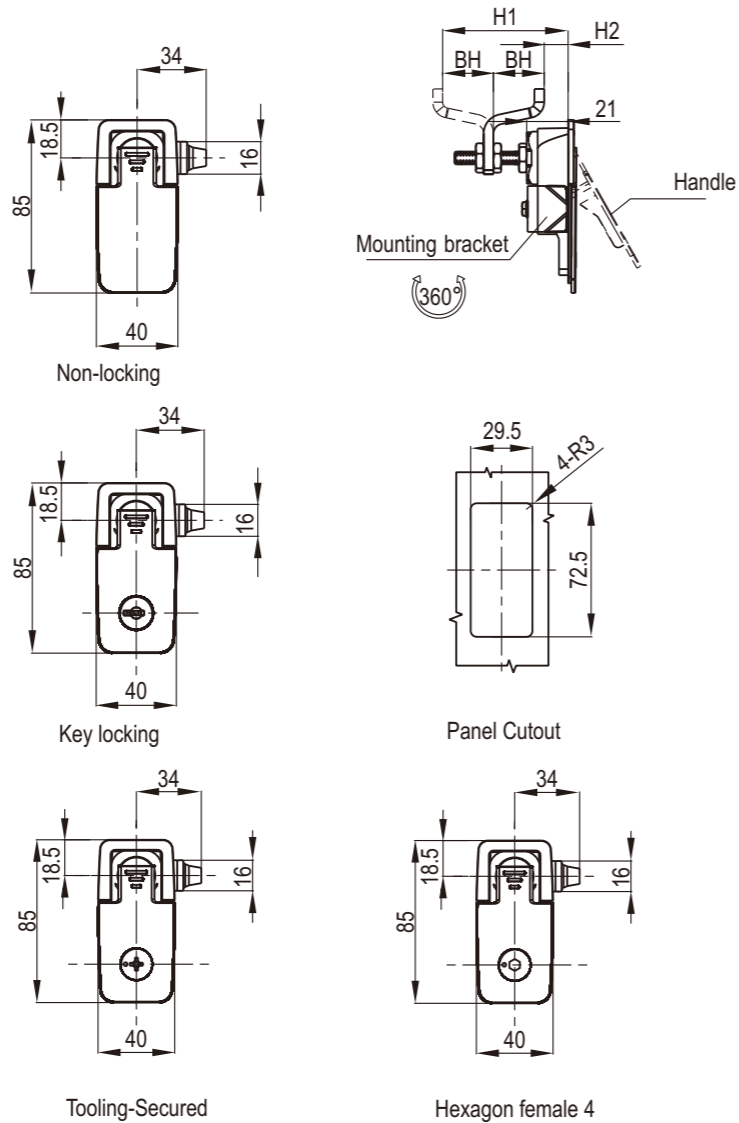
# Compression Latch

## 2482

Index

Locks

IP65



Remark  
Keyed CH751 key

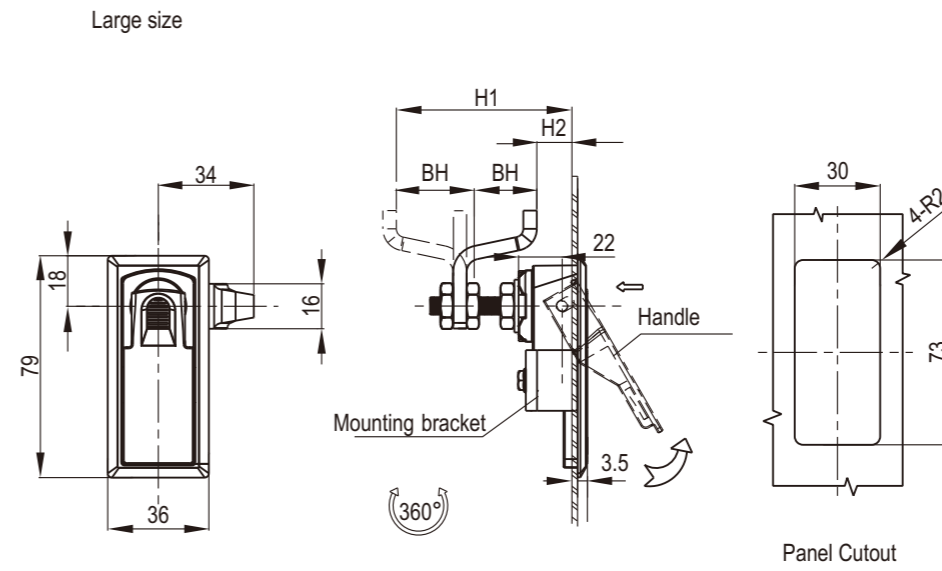
Zinc die handle and housing; black powder coated or bright chrome; m.s. zinc plated cam

Grip-Range		Cylinder Style	Black Smooth Powder Coated	Bright Chrome
Pawl Forward MIN-MAX	Pawl Reversed MIN-MAX			
6~16	56~66	Non-locking	2480-00-220	2480-00-260
16~26	46~56		2480-00-420	2480-00-460
26~36	36~46		2480-00-620	2480-00-660
6~16	56~66	Key locking	2480-20-220	2480-20-260
16~26	46~56		2480-20-420	2480-20-460
26~36	36~46		2480-20-620	2480-20-660
6~16	56~66	Tooling-Secured	2480-22-220	2480-22-260
16~26	46~56		2480-22-420	2480-22-460
26~36	36~46		2480-22-620	2480-22-660
6~16	56~66	Hexagon female 4	2480-24-220	2480-24-260
16~26	46~56		2480-24-420	2480-24-460
26~36	36~46		2480-24-620	2480-24-660

Index

Locks

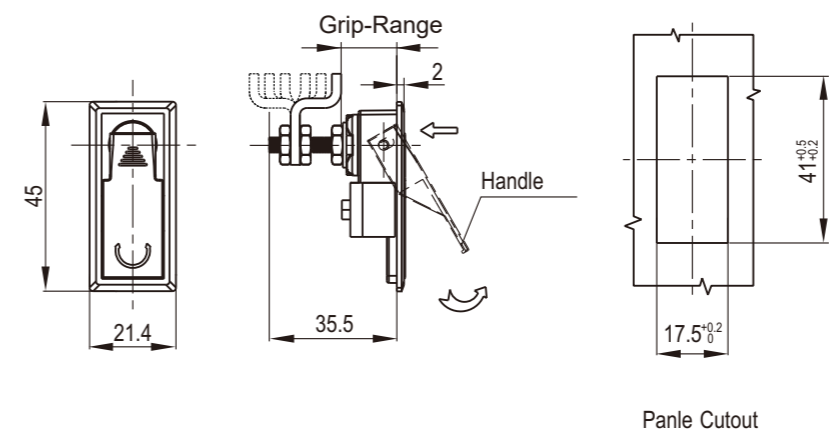
IP65



Zinc die handle and housing; black smooth powder coated or bright chrome; m.s. zinc plated cam

Grip-Range		Cylinder Style	Black Smooth Powder Coated	Bright Chrome
Pawl Forward MIN-MAX	Pawl Reversed MIN-MAX			
6~16	56~66	Non-locking	2482-00-220	2482-00-260
16~26	46~56		2482-00-420	2482-00-460
26~36	36~46		2482-00-620	2482-00-660

Small size



Zinc die handle and housing; black Smooth powder coated or bright chrome; m.s. zinc plated cam

Grip-Range		Cylinder Style	Black Smooth Powder Coated	Bright Chrome
Pawl Forward MIN-MAX	Pawl Reversed MIN-MAX			
4.5-10.5	34.5-40.5	Non-locking	2482-400-220	2482-400-260
10.5-16.5	28.5-34.5		2482-400-420	2482-400-460
16.5-22.5	22.5-28.5		2482-400-620	2482-400-660

