

Quarter Turn Lock

2826

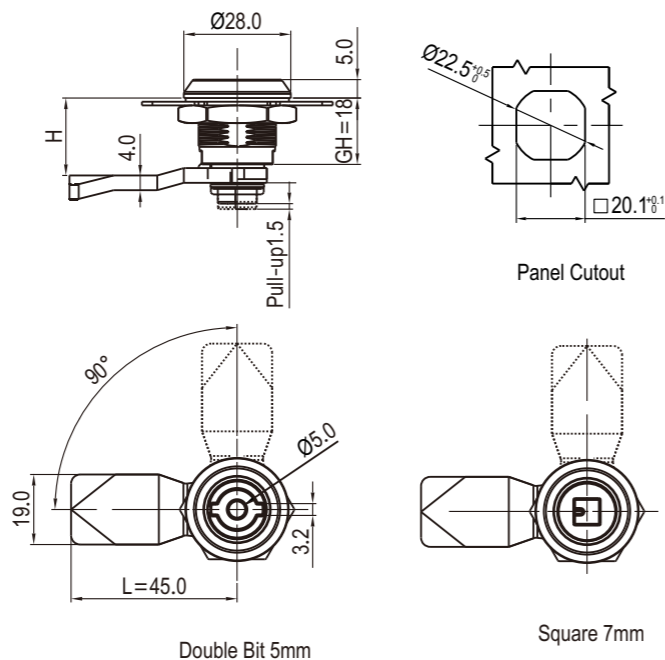
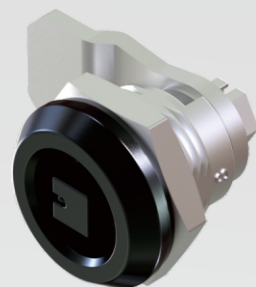
Push to close Latch

2828

Index

Locks

RL P65



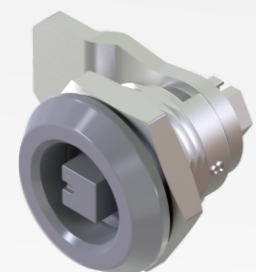
Zinc die body, black textured powder coated or bright chrome, m.s. zinc plated cam

Cylinder Style	Zinc die		SUS 316
	Black Textured Powder Coated	Bright Chrome	
Double Bit 5mm	2826-030-40	2826-030-60	
Square 7mm	2826-094-40	2826-094-60	
2X4 Slot			2826-048-632

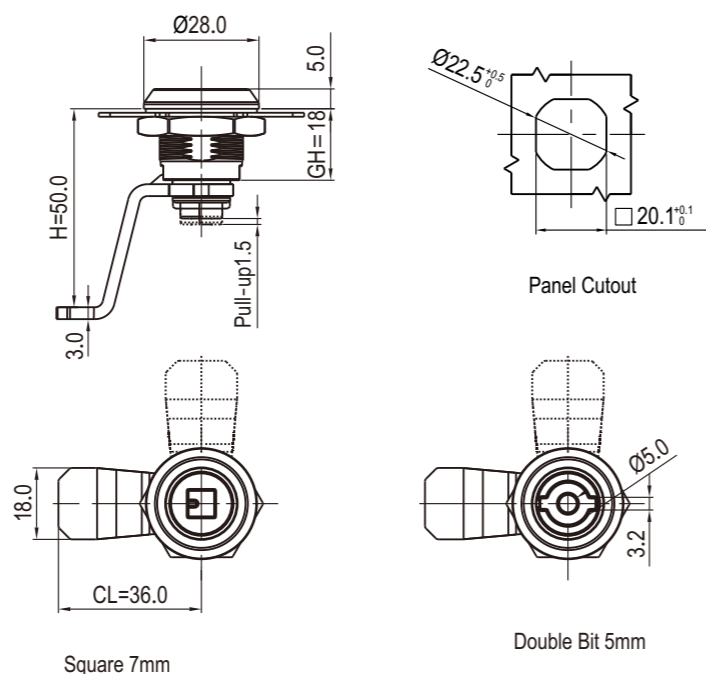
Accessories ref. page#

1. Cam ref. to page 9A-001

Remark
innerspring, O-ring, Pull-up 1.5mm

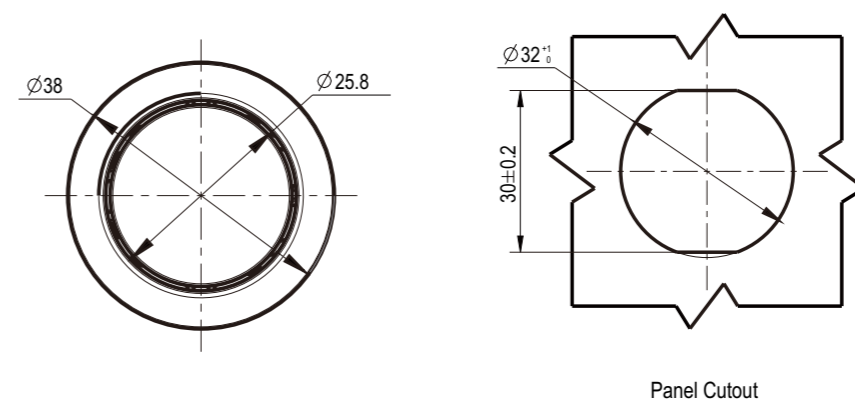
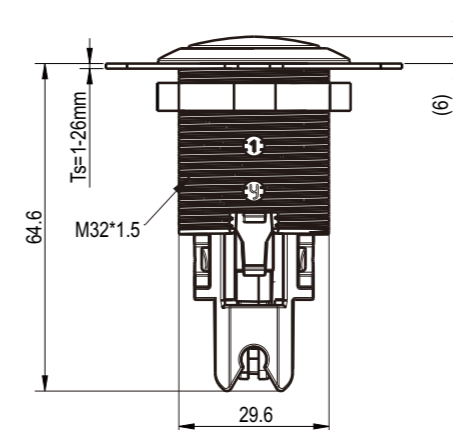
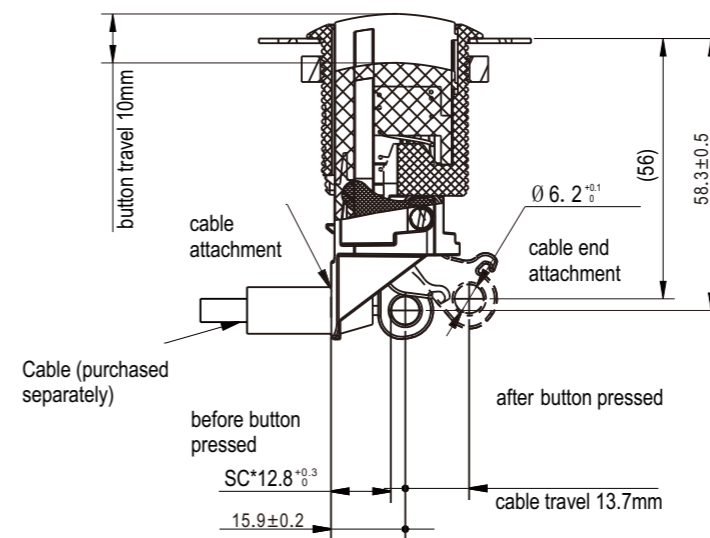


innerspring, O-ring, Pull-up 1.5mm



Zinc die body, powder coated, m.s. zinc plated cam

Cylinder Style	Powder Coated RAL7016	
	S01: CL=30, H=16	S02: CL=36, H=50
Double Bit 5mm	2826-030-42.S02	2826-030-42.S04
Square 7mm	2826-094-42.S02	2826-094-42.S04



Button, housing: PC/ABS, black; Cam: PA6/GF15, black

Black PC	2828-00-180
----------	-------------

NEW



Locks