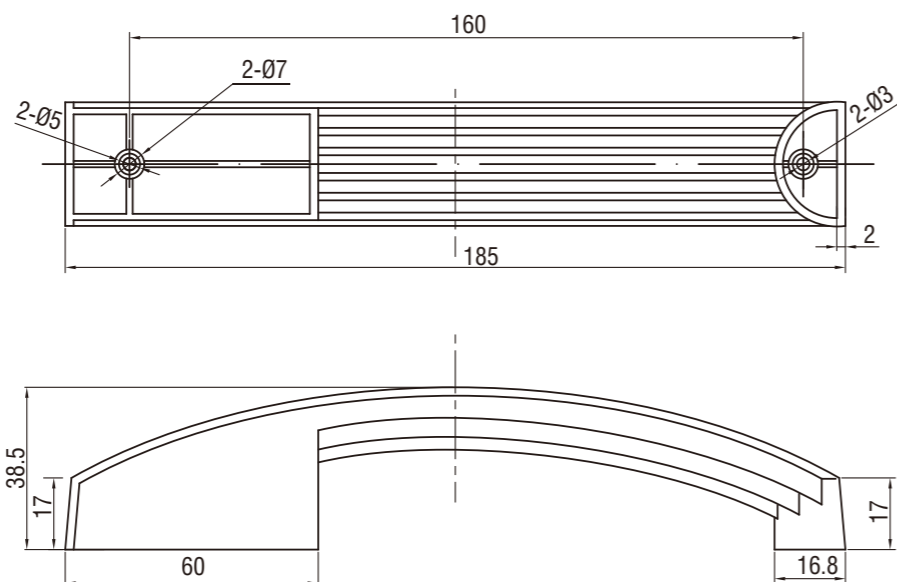
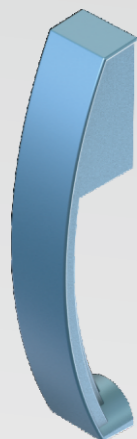


U shape Handle

6404, 6406



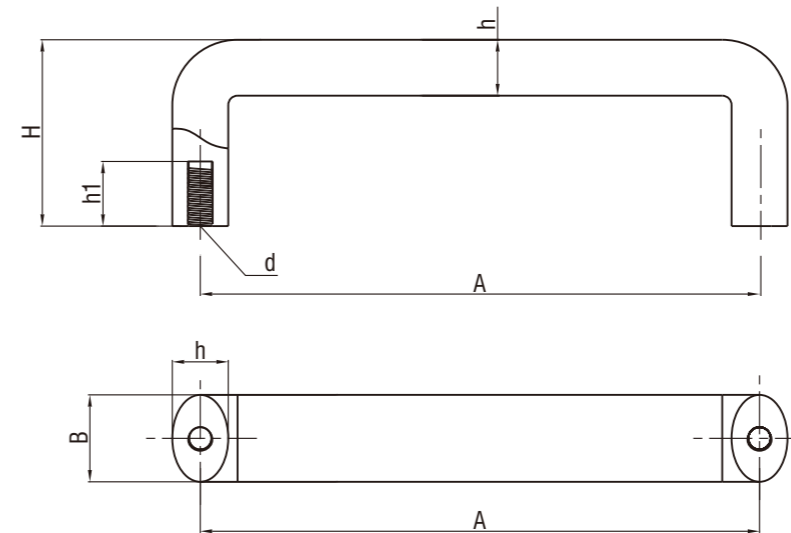
PA6 GF30, black or dark gray

Dark grey

6404-370

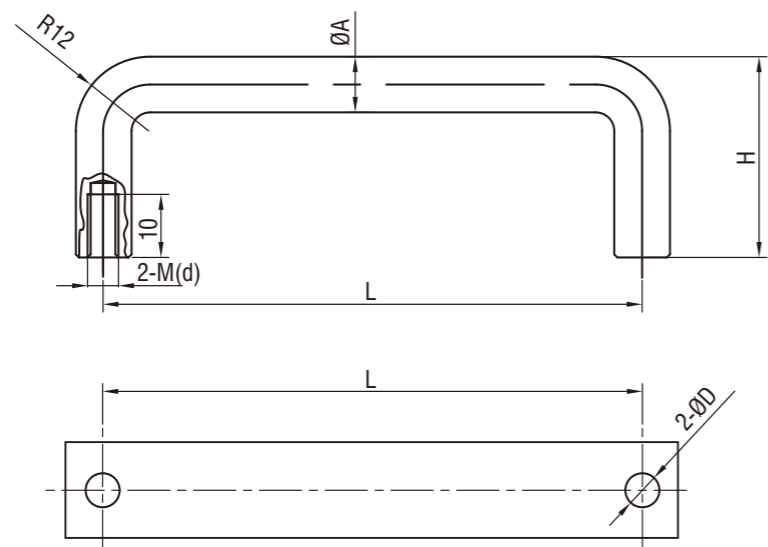
U shape Handle

6408, 6410



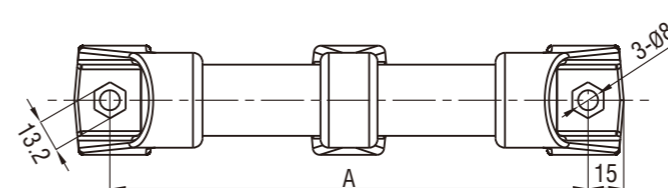
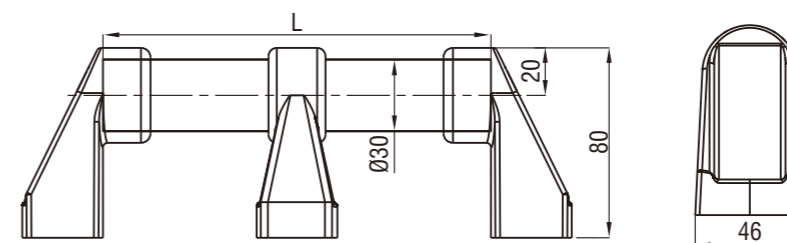
Pa6 GF30 black

| | Description | A | H | d | h1 | B | h |
|----------|-------------|-----|----|----|----|----|----|
| 6408-180 | 90xM6 | 90 | 50 | M6 | 14 | 28 | 18 |
| 6408-240 | 120xM8 | 120 | 60 | M8 | 16 | 28 | 20 |
| 6408-360 | 180xM8 | 180 | 60 | M8 | 16 | 28 | 20 |
| 6408-480 | 240xM8 | 240 | 60 | M8 | 16 | 28 | 20 |



Steel, bright chrome or stainless steel

| L | A | H | D | d | SUS 304 | Steel |
|-----|----|----|------|------|------------------|-----------------|
| 87 | Ø9 | 40 | 2-Ø6 | 2-M5 | 6406-17480-18608 | 6406-17480-1802 |
| 100 | Ø9 | 40 | 2-Ø6 | 2-M5 | 6406-20080-18608 | 6406-20080-1802 |
| 120 | Ø9 | 40 | 2-Ø6 | 2-M5 | 6406-24080-18608 | 6406-24080-1802 |
| 135 | Ø9 | 40 | 2-Ø6 | 2-M5 | 6406-27080-18608 | 6406-27080-1802 |
| 150 | Ø9 | 40 | 2-Ø6 | 2-M5 | 6406-30080-18608 | 6406-30080-1802 |



Black PA+GF

Ending base:3205-01

Middle base:3205-02

Tube: 3205-03-A (see below table)

| L | A | | L | A | |
|-----|-----|--------------|-----|-----|-------------|
| 266 | 300 | 6410-12-600 | 366 | 400 | 6410-03-400 |
| 466 | 500 | 6410-12-1000 | 566 | 600 | 6410-03-600 |
| 666 | 700 | 6410-12-1400 | 766 | 800 | 6410-03-800 |

