

Black ABS

Min~Max	
1.0-1.8	6610-02
1.8-3.3	6610-04
3.3-4.8	6610-06
4.8-6.3	6610-08

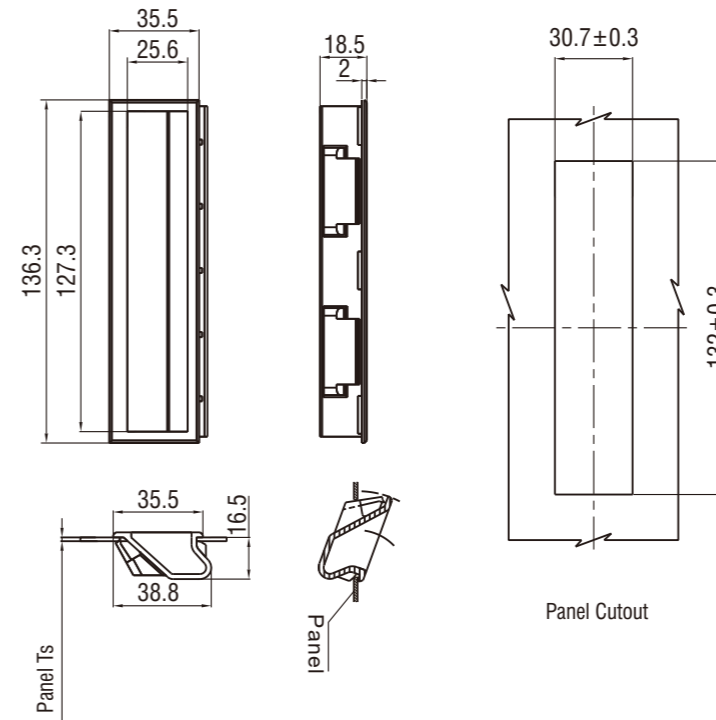
# Pocket Pull

6610、6614

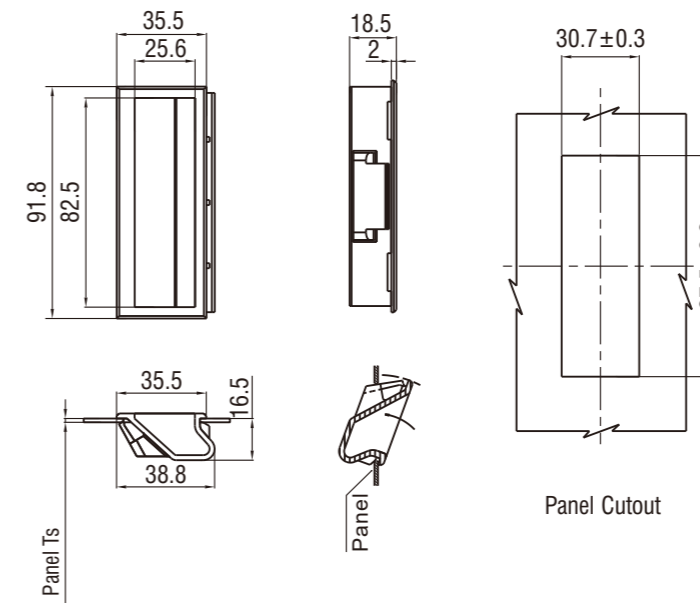
# Pocket Pull

6612

Large size

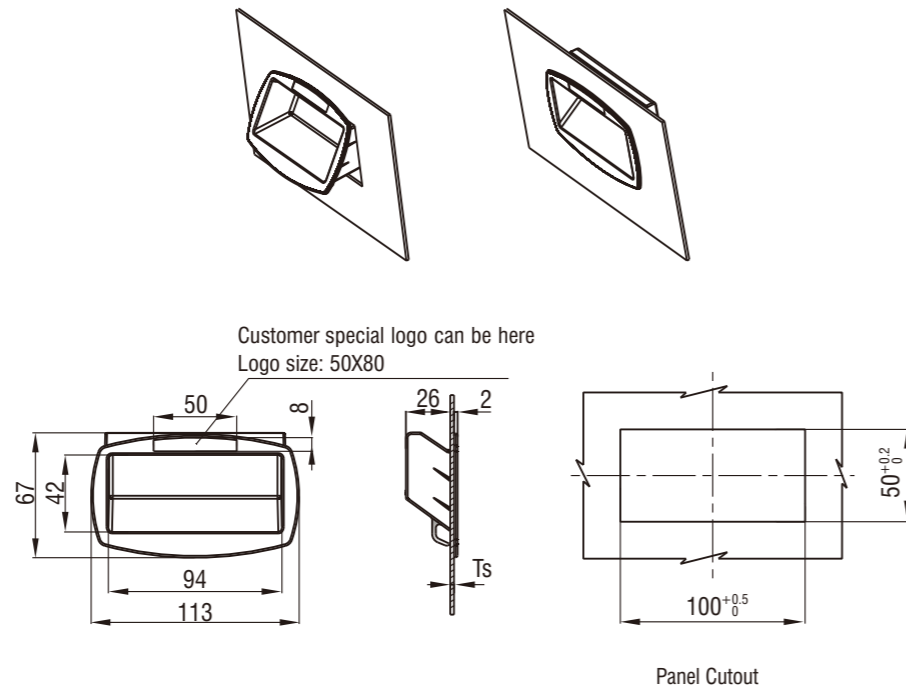
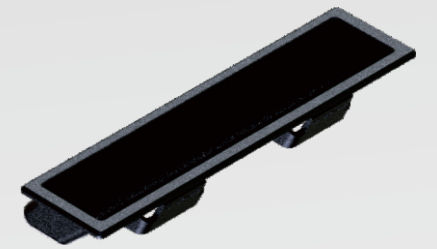


Small size



Black ABS

Panel Ts= Min ~Max	Size	
	Large size	Small size
1.0-1.4	6612-22	6612-42
1.4-1.8	6612-24	6612-44
1.8-2.1	6612-26	6612-46
2.1-2.5	6612-28	6612-48



Black PA+GF

Panel Ts= Min ~Max	
0.8-1.2	6614-02
1.2-1.6	6614-04
1.75-2.2	6614-06