

Swinghandle

2202

Rod Control Swinghandle

2202

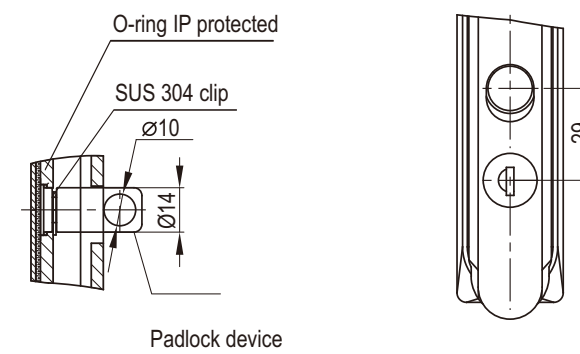
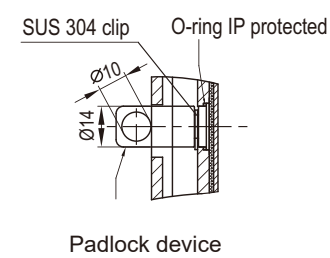
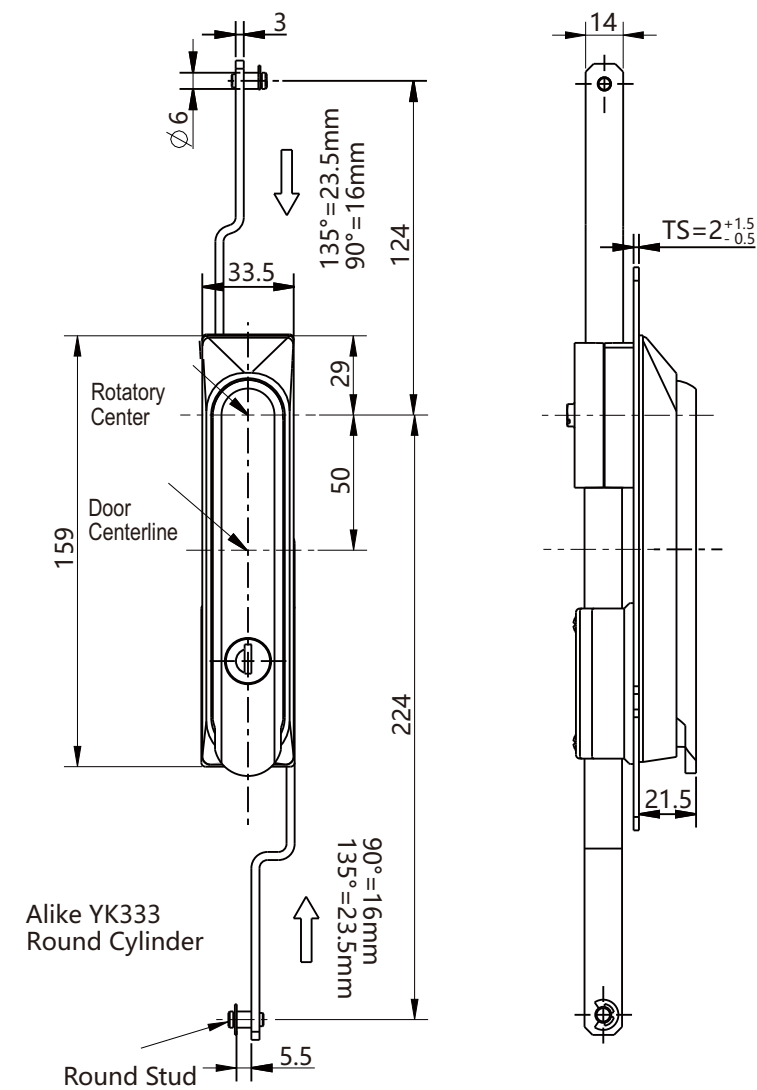
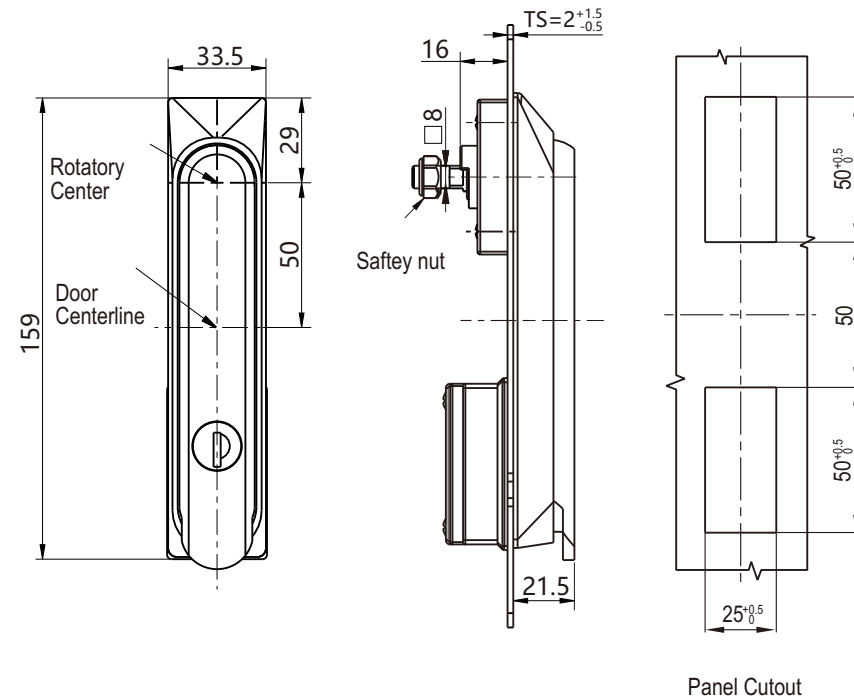
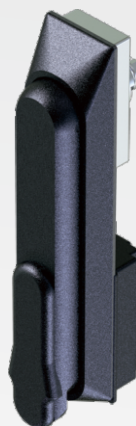
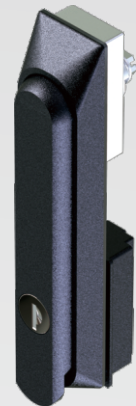


Index

Index

Locks

Locks



Note: IP65 can be customized

Accessories ref. to page #
1. CAM ref. to page 9A-001

Remark
1. Key different on request
2. CH751 key code on request
3. Padlockable on request
4. Keyed YK333

PA lock body, Stainless steel shaft and fixing parts

Cylinder style	Version A(Cam control)	
	With Dust Cap	Without Dust Cap
Alike YK333 Round Cylinder	2202-2002-C	2202-2002-NC

PA lock body, zinc die rod control, Stainless steel shaft

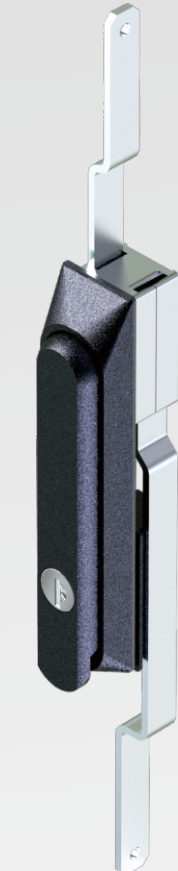
Cylinder style	Version B(2P.rod control)		Version C(3P.rod control)	
	With Dust Cap	Without Dust Cap	With Dust Cap	Without Dust Cap
Alike YK333 Round Cylinder	2202-4002-C	2202-4002-NC	2202-6002-C	2202-6002-NC



Note: IP65 can be customized

Accessories ref. to page #
1. CAM ref. to page 9A-001
2. Rod control 1190 series

Remark
1. Key different on request
2. CH751 key code on request
3. Padlockable on request
4. Keyed YK333

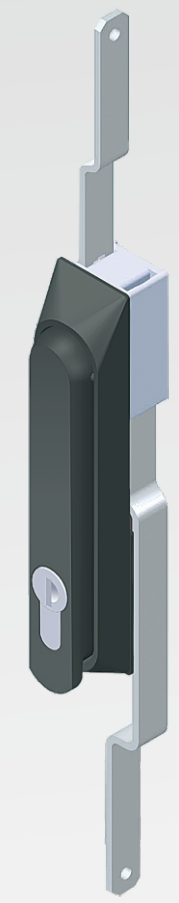
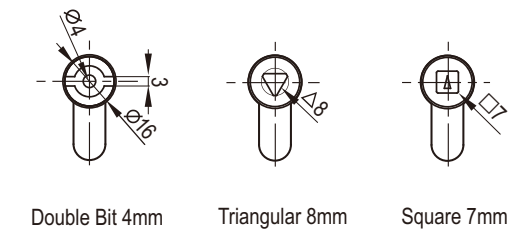
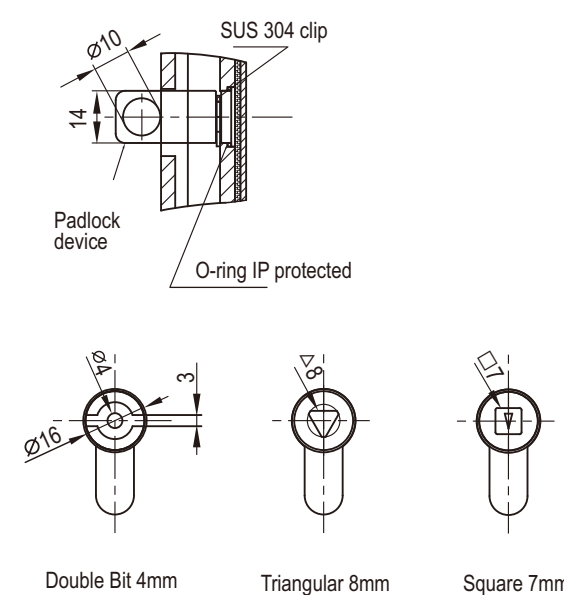
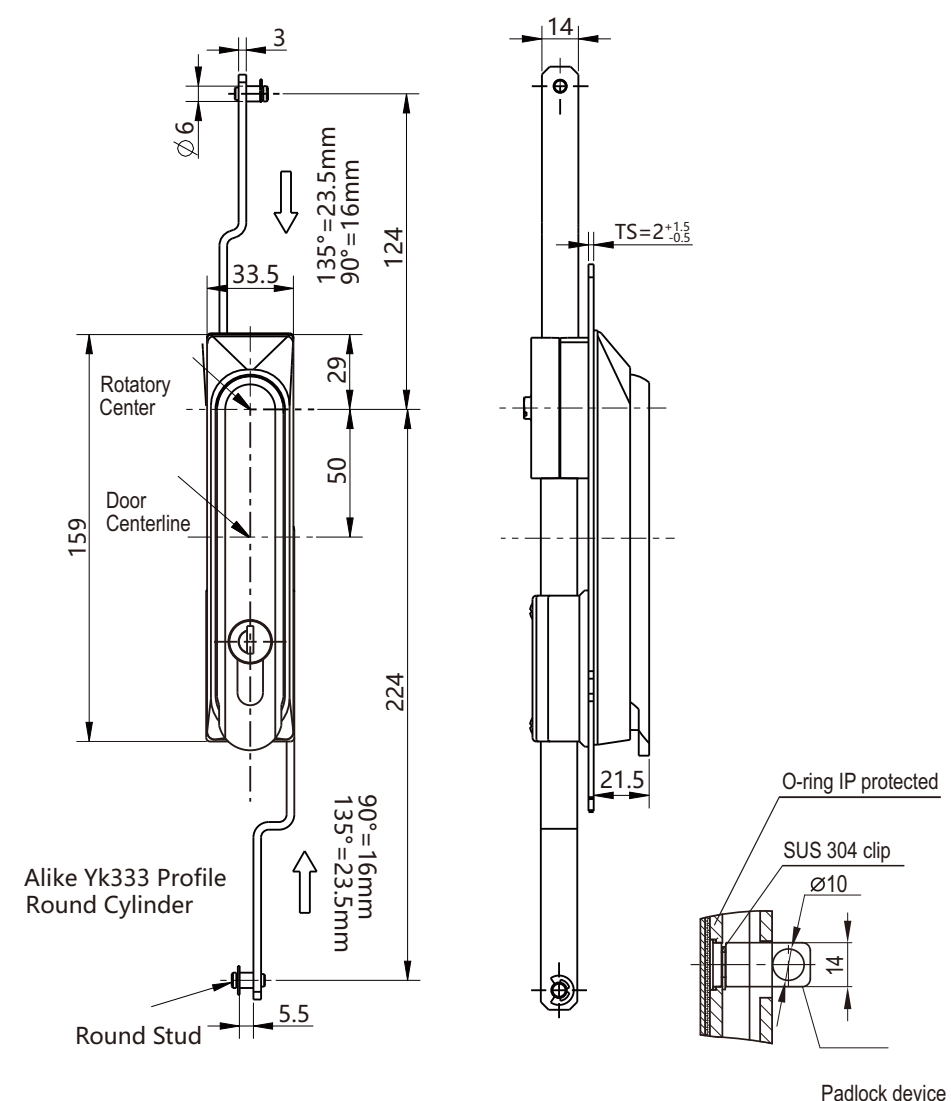
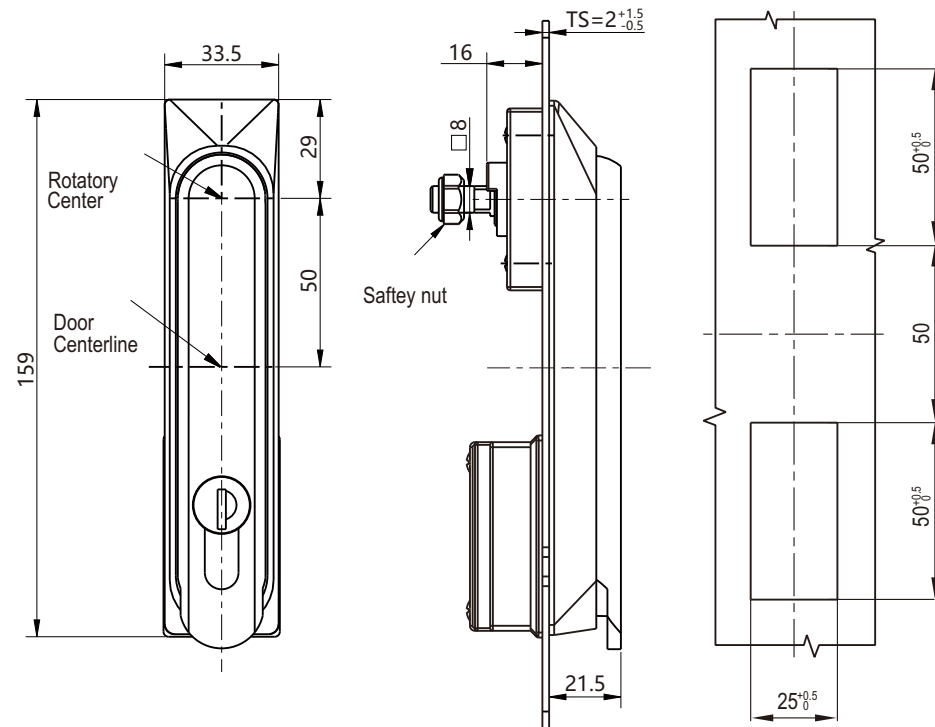


Swinghandle

2202

Rod Control Swinghandle

2202



Note: IP65 can be customized

Accessories ref. to page #
1. CAM ref. to page 9A-001

Remark
1. Key different on request
2. CH751 key code on request
3. Padlockable on request
4. Keyed YK333

PA lock body, Stainless steel shaft and fixing parts

Cylinder style	Version A(Cam control)	
	With Dust Cap	Without Dust Cap
Alike YK333 Profile Round Cylinder	2202-2P02-C	2202-2P02-NC
Double Bit 4mm	2202-2P04-C	2202-2P04-NC
7mm Square 7mm	2202-2P06-C	2202-2P06-NC
8mm Triangular 8mm	2202-2P08-C	2202-2P08-NC

PA lock body, zinc die rod control, Stainless steel shaft

Cylinder style	Version B(2P.rod control)		Version C(3P.rod control)	
	With Dust Cap	Without Dust Cap	With Dust Cap	Without Dust Cap
Alike YK333 Profile Round Cylinder	2202-4P02-C	2202-4P02-NC	2202-6P02-C	2202-6P02-NC
Double Bit 4mm	2202-4P04-C	2202-4P04-NC	2202-6P04-C	2202-6P04-NC
Square 7mm	2202-4P06-C	2202-4P06-NC	2202-6P06-C	2202-6P06-NC
Triangular 8mm	2202-4P08-C	2202-4P08-NC	2202-6P08-C	2202-6P08-NC

Note: IP65 can be customized

Accessories ref. to page #
1. CAM ref. to page 9A-001
2. Rod control 1190 series

Remark
1. Key different on request
2. CH751 key code on request
3. Padlockable on request
4. Keyed YK333