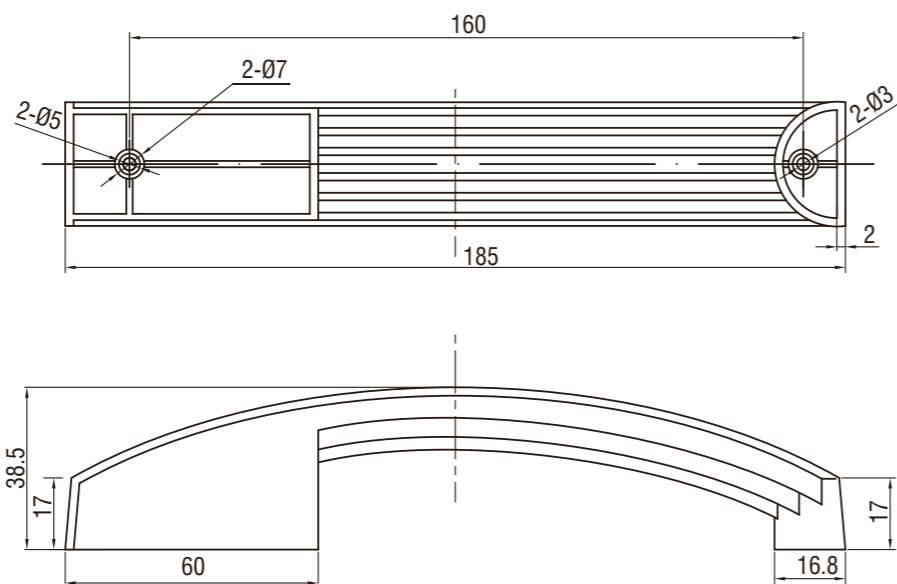
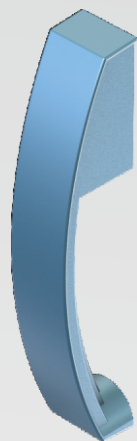


U shape Handle

6404, 6406



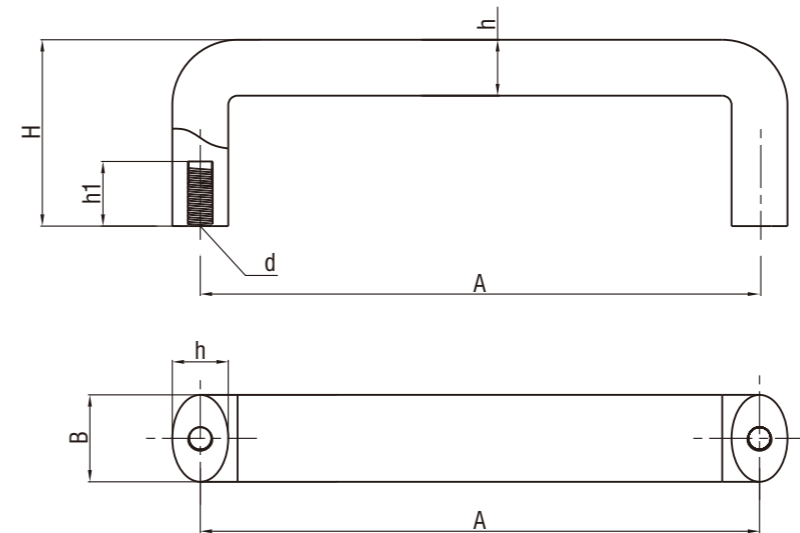
PA6 GF30, black or dark gray

Dark grey

6404-370

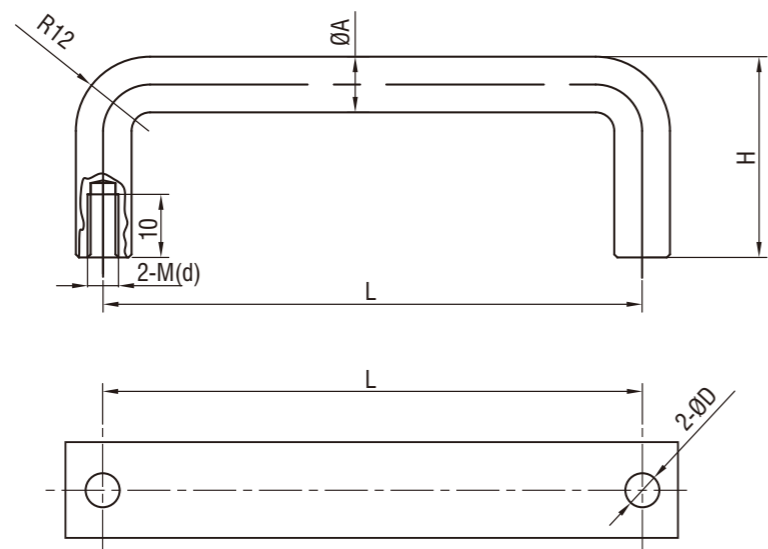
U shape Handle

6408, 6410



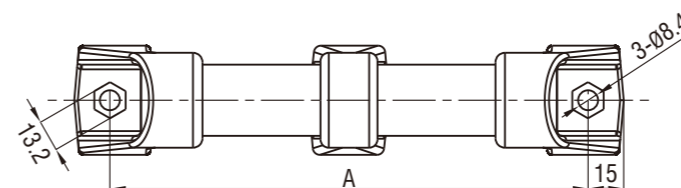
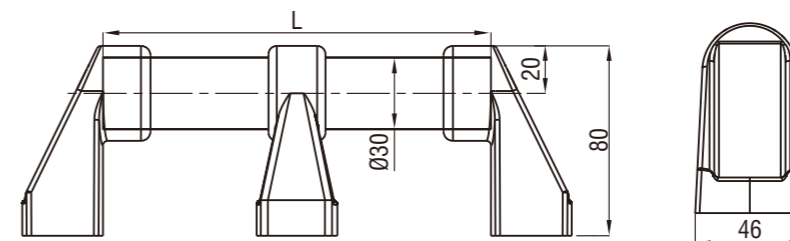
Pa6 GF30 black

	Description	A	H	d	h1	B	h
6408-180	90xM6	90	50	M6	14	28	18
6408-240	120xM8	120	60	M8	16	28	20
6408-360	180xM8	180	60	M8	16	28	20
6408-480	240xM8	240	60	M8	16	28	20



Steel, bright chrome or stainless steel

L	A	H	D	d	SUS 304	Steel
87	Ø9	40	2-Ø6	2-M5	6406-17480-18608	6406-17480-1802
100	Ø9	40	2-Ø6	2-M5	6406-20080-18608	6406-20080-1802
120	Ø9	40	2-Ø6	2-M5	6406-24080-18608	6406-24080-1802
135	Ø9	40	2-Ø6	2-M5	6406-27080-18608	6406-27080-1802
150	Ø9	40	2-Ø6	2-M5	6406-30080-18608	6406-30080-1802



Black PA+GF

Ending base:3205-01

Middle base:3205-02

Tube: 3205-03-A (see below table)

L	A		L	A	
266	300	6410-12-600	366	400	6410-03-400
466	500	6410-12-1000	566	600	6410-03-600
666	700	6410-12-1400	766	800	6410-03-800

