

Lever Handle Lock

2640、2642

Lever Handle Lock

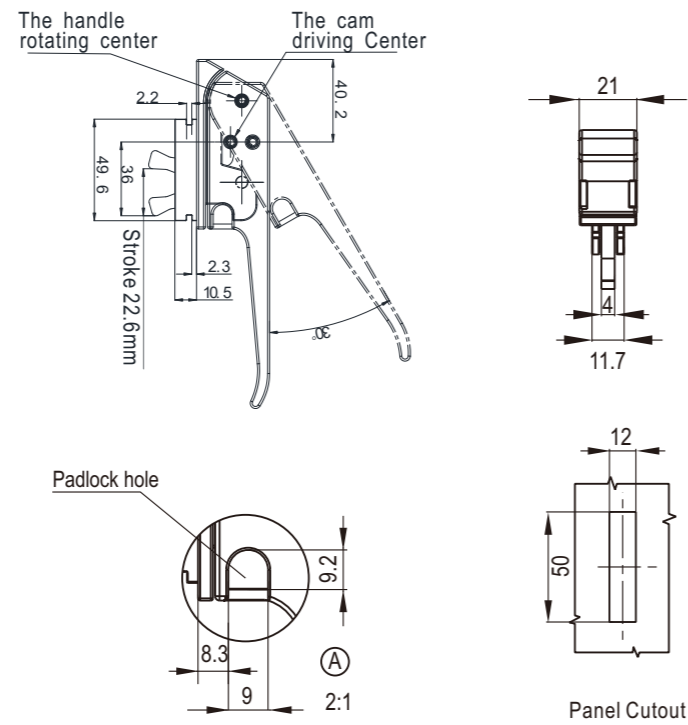
2644、2650

Index

Locks

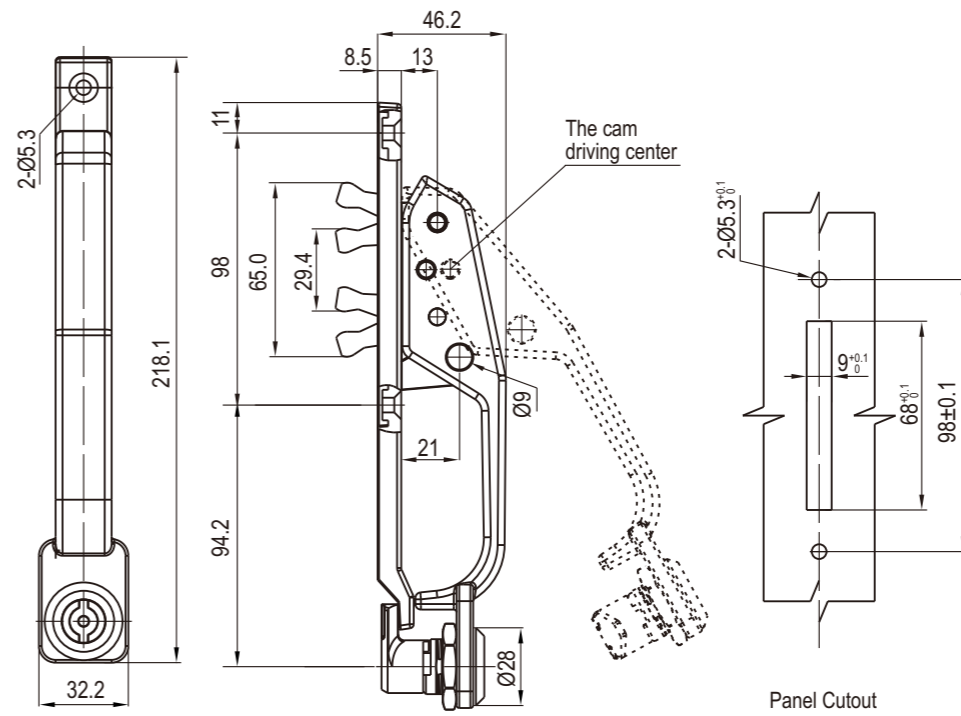


NEW



Zinc die housing and handle, black smooth powder coated; m.s. zinc plated cam

Black Smooth Powder Coated	2640-20
----------------------------	---------

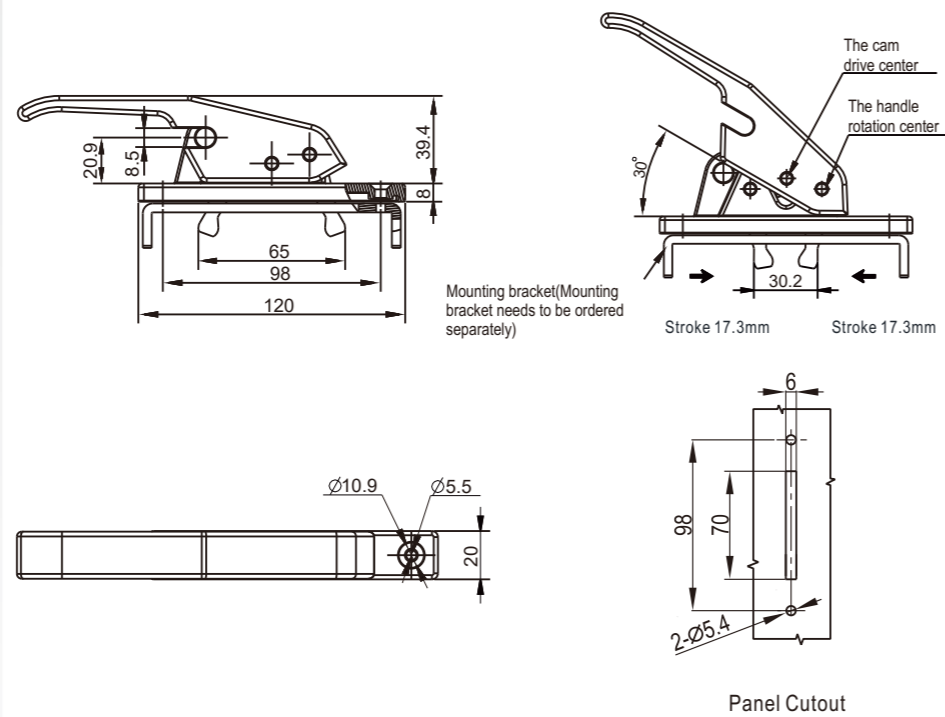
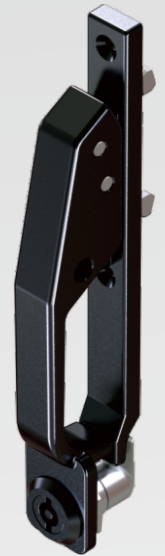


Zinc die housing and handle; black powder coated or E-Coated; m.s. zinc plated cam

Black Smooth Powder Coated	2644-20
Powder Coated RAL7012	2644-48

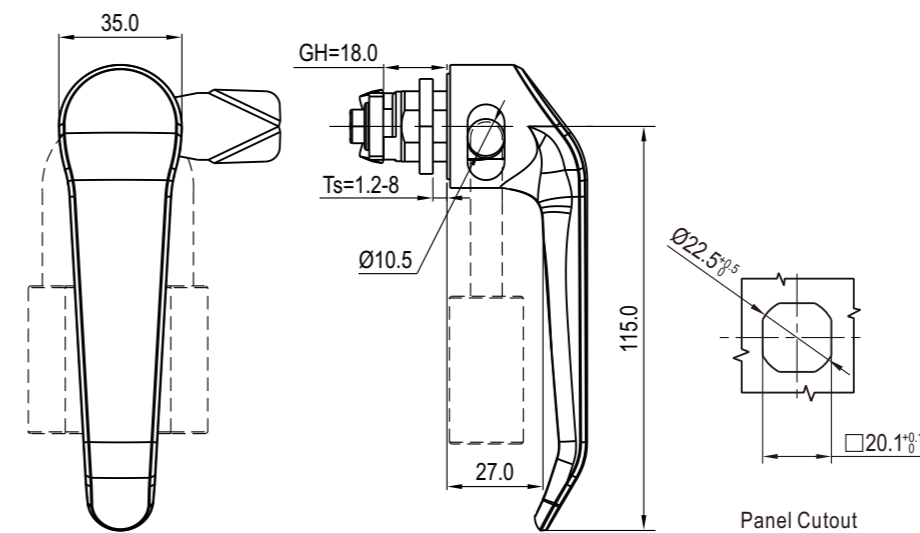
Index

Locks



Zinc die housing and handle, black smooth powder coated; m.s. zinc plated cam

Black Smooth Powder Coated	2642-20
Powder coated RAL7012	2642-48



Zinc die handle and housing; black textured powder coated or bright chrome, m.s. zinc plated cam or full stainless steel

Black Textured Powder Coated	SUS 316
2650-00-40	2650-00-632

