

SUS 304 Swinghandle

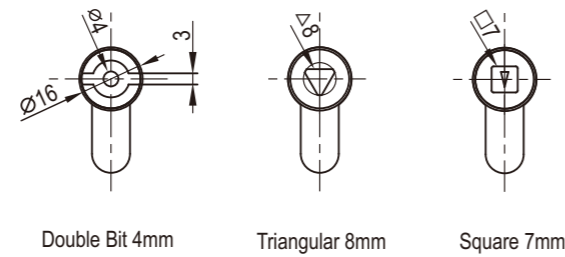
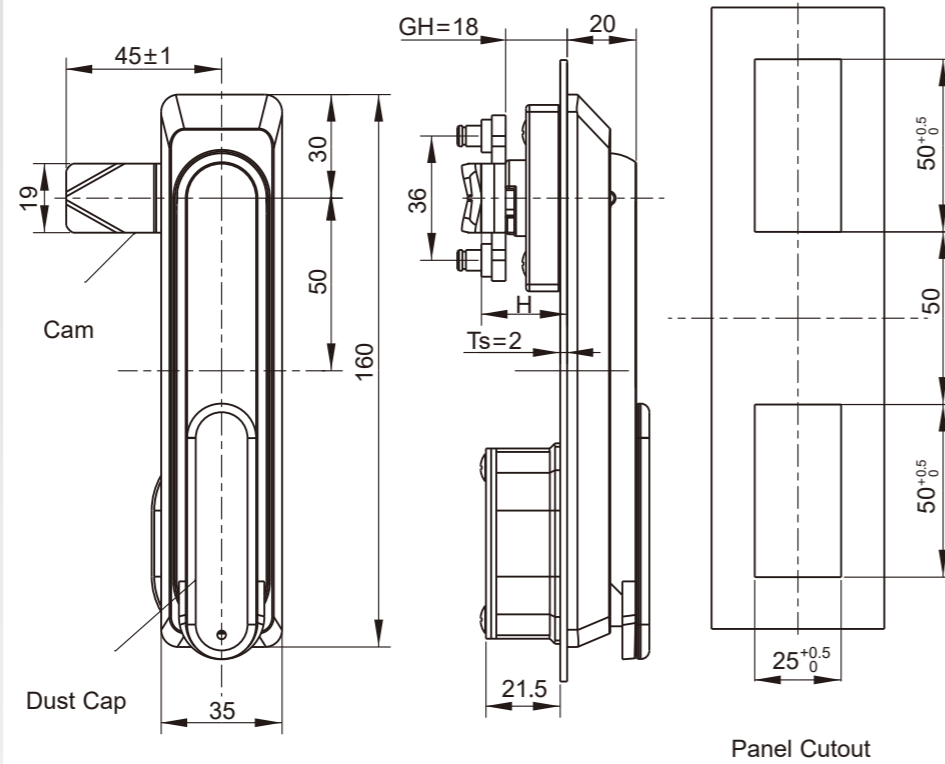
2240

SUS 304 Rod Control Swinghandle

2240

Index

Locks



Double Bit 4mm

Triangular 8mm

Square 7mm

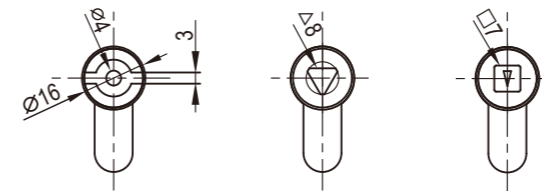
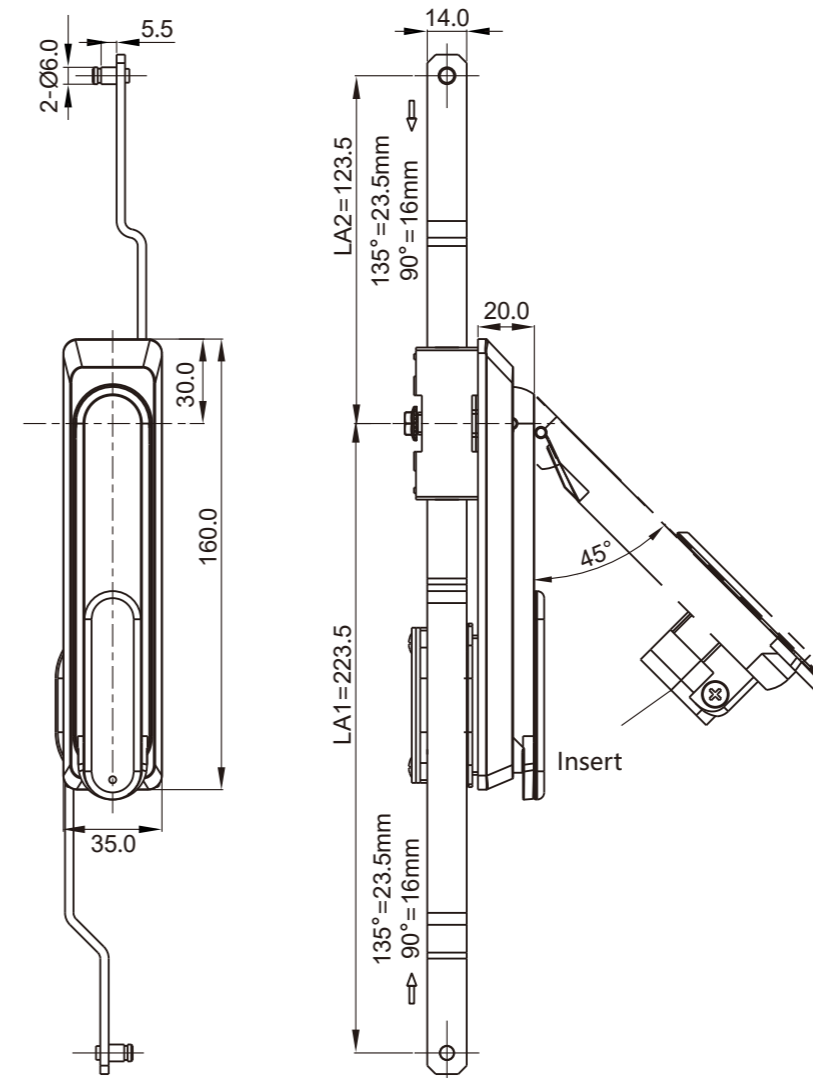
Stainless steel lock body and rods

Cylinder style	Version A(Cam control)	
	With Dust Cap	Without Dust Cap
HS8 Profile Cylinder	2240-2P02-C	2240-2P02-NC
Alike YK333 Profile Round Cylinder	2240-2P04-C	2240-2P04-NC
(Double Bit 4mm)	2240-2P06-C	2240-2P06-NC
(Square 7mm)	2240-2P08-C	2240-2P08-NC

Remark
1. Keyed YK333

Index

Locks



Double Bit 4mm

Triangular 8mm

Square 7mm

Stainless steel lock body and rods

Cylinder style	Version B(2P.rod control)		Version C(3P.rod control)	
	With Dust Cap	Without Dust Cap	With Dust Cap	Without Dust Cap
HS8 Profile Cylinder	2240-4P02-C	2240-4P02-NC	2240-6P02-C	2240-6P01-NC
Alike YK333 Profile Round Cylinder	2240-4P04-C	2240-4P04-NC	2240-6P04-C	2240-6P04-NC
(Double Bit 4mm)	2240-4P06-C	2240-4P06-NC	2240-6P06-C	2240-6P06-NC
(Square 7mm)	2240-4P08-C	2240-4P08-NC	2240-6P08-C	2240-6P08-NC

Remark
1. Keyed YK333
2. With rod control 1193-07