

RL **IP65** 



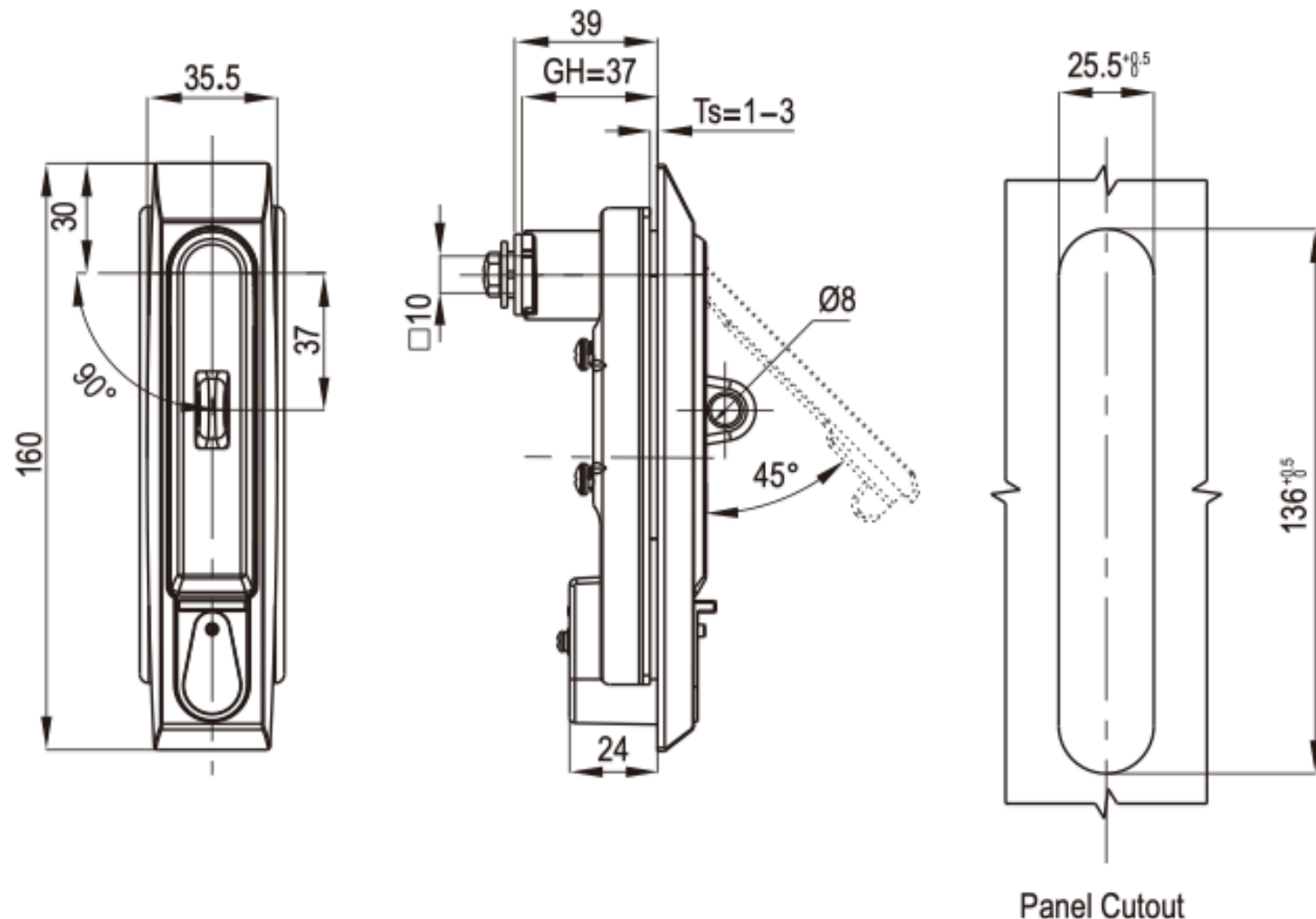
Under development,
shall be available on
December, 2022.

Remark

Interchangeable profile cylinder



Optional cam cutout: 10X10



Zinc die, black smooth powder coated, SUS padlock, mounting bracket

Black Smooth Powder Coated	
Padlockable	Without padlock
2418-202-20-P	2418-202-20