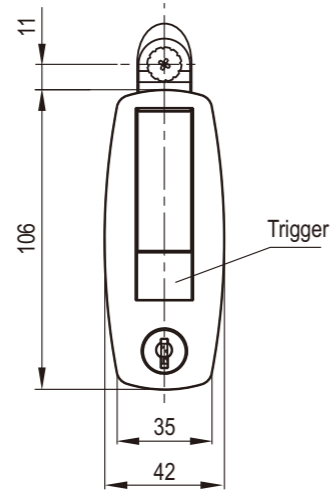
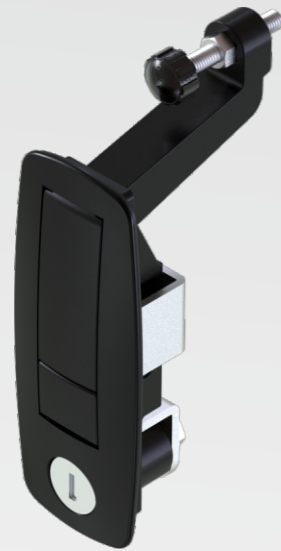
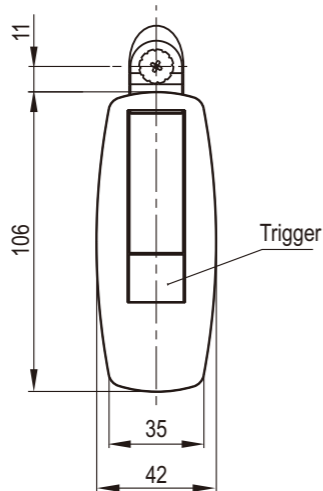


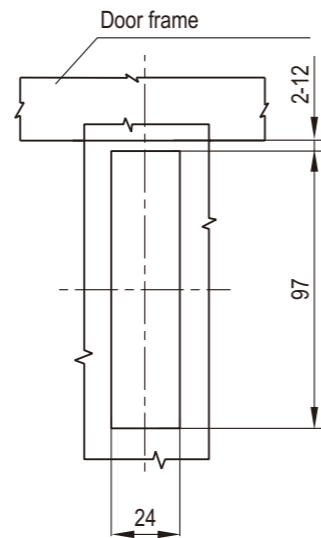
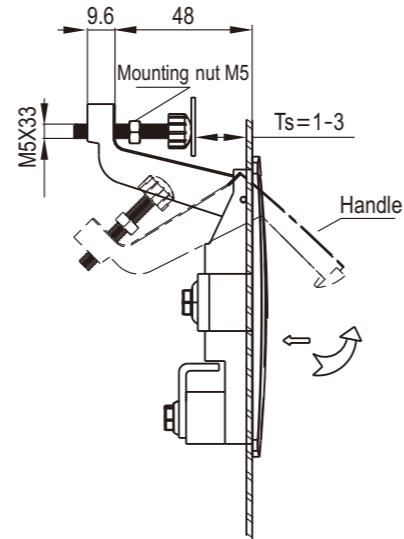
**IP40**



Key locking



Non-locking



Panel Cutout

Zinc die handle, housing and button; m.s. zinc plated fixing parts

Key Locking (CH751)	2488-20-20
Non-Locking	2488-00-20

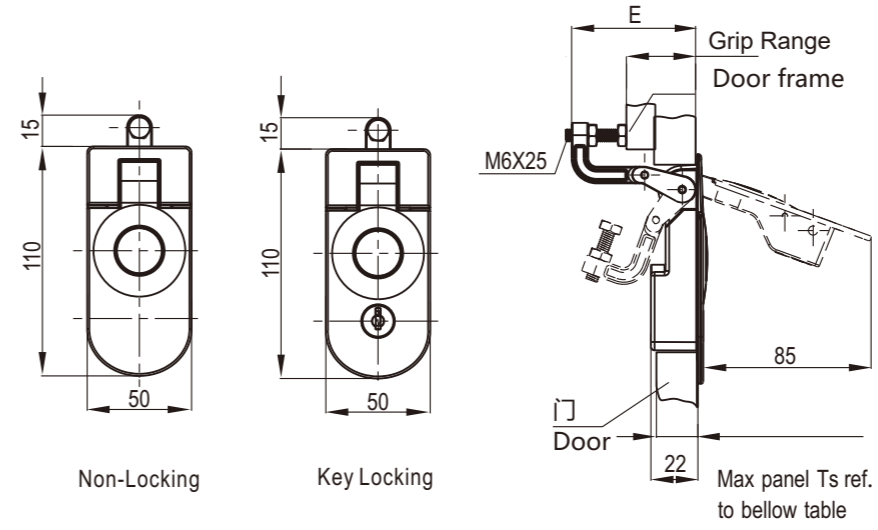
Remark  
Keyed CH751 key

# Lever Latch

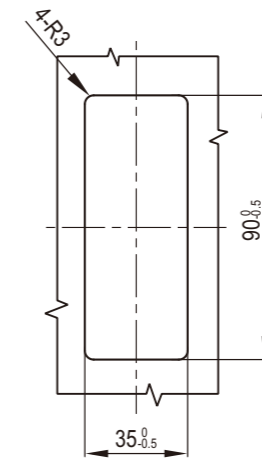
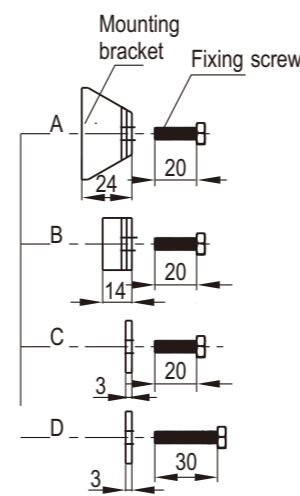
2488

# Lever Latch

2490



Non-Locking Key Locking



Panel Cutout

Zinc die handle, housing and trigger; m.s. zinc plated fixing parts

Mounting bracket	Panel thickness		Grip Range		E	Non-locking	CH751 key locking, with shutter	CH751 key locking	Tooling-secured	Hexagon female 4
	MIN	MAX	MIN	MAX						
A	1	11	1	14	29	2490-228-402	2490-428-402	2490-628-402	2490-828-402	2490-1828-402
B	11	21				2490-228-404	2490-428-404	2490-628-404	2490-828-404	2490-1828-404
A	1	11				2490-258-402	2490-458-402	2490-658-402	2490-858-402	2490-1858-402
B	11	21	14	29	44	2490-258-404	2490-458-404	2490-658-404	2490-858-404	2490-1858-404
C	21	31				2490-258-406	2490-458-406	2490-658-406	2490-858-406	2490-1858-406
A	1	11				2490-290-402	2490-490-402	2490-690-402	2490-890-402	2490-1890-402
B	11	21				2490-290-404	2490-490-404	2490-690-404	2490-890-404	2490-1890-404
C	21	31	29	45	60	2490-290-406	2490-490-406	2490-690-406	2490-890-406	2490-1890-406
D	31	41				2490-290-408	2490-490-408	2490-690-408	2490-890-408	2490-1890-408
A	1	11				2490-314-402	2490-514-402	2490-714-402	2490-914-402	2490-1914-402
B	11	21	45	57	72	2490-314-404	2490-514-404	2490-714-404	2490-914-404	2490-1914-404
C	21	31				2490-314-406	2490-514-406	2490-714-406	2490-914-406	2490-1914-406
D	31	41				2490-314-408	2490-514-408	2490-714-408	2490-914-408	2490-1914-408

**IP54**

