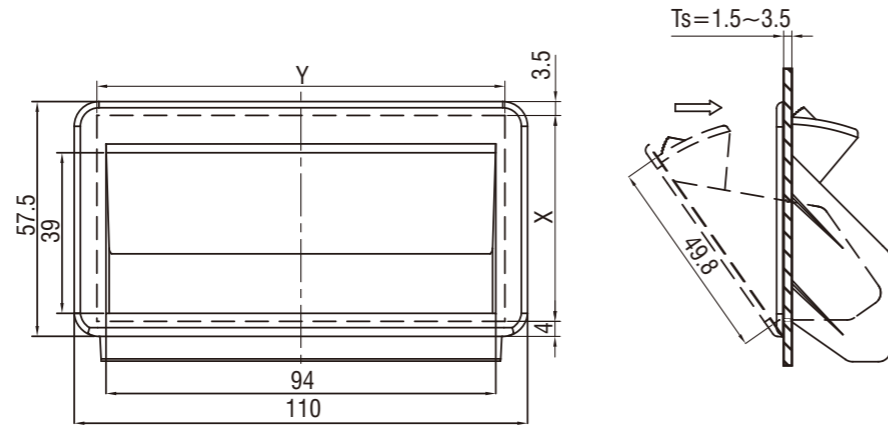




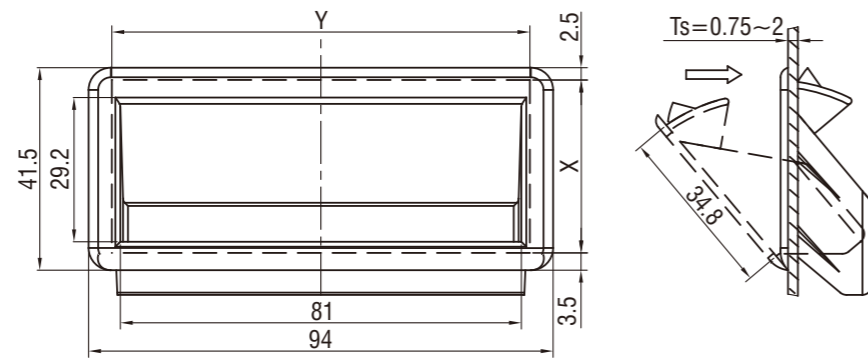
Large size



Panel cutout

Ts(mm)	X	Y
1.5~2	49.8 <sup>+0.2</sup>	99.5
2~3	50 <sup>+0.3</sup>	99.5

Small size



Panel cutout

Ts(mm)	X	Y
0.75~1	35 <sup>+0.2</sup>	85 <sup>+0.3</sup>
1~2	36 <sup>+0.2</sup>	85 <sup>+0.3</sup>

Pa6 GF30 black

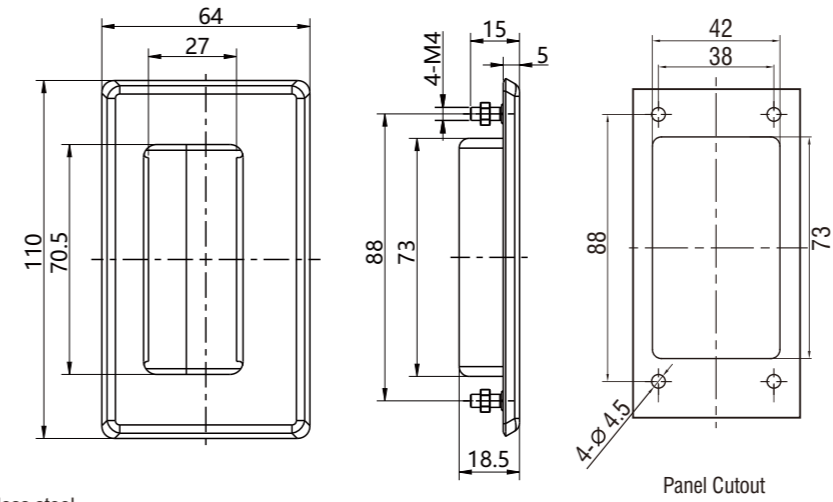
Large size	6602-02
Small size	6602-04

## Pocket Pull

6602

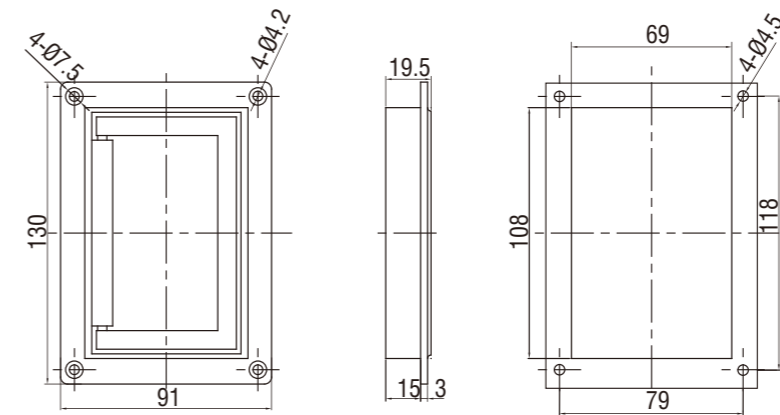
## Pocket Pull

6604, 6606, 6616



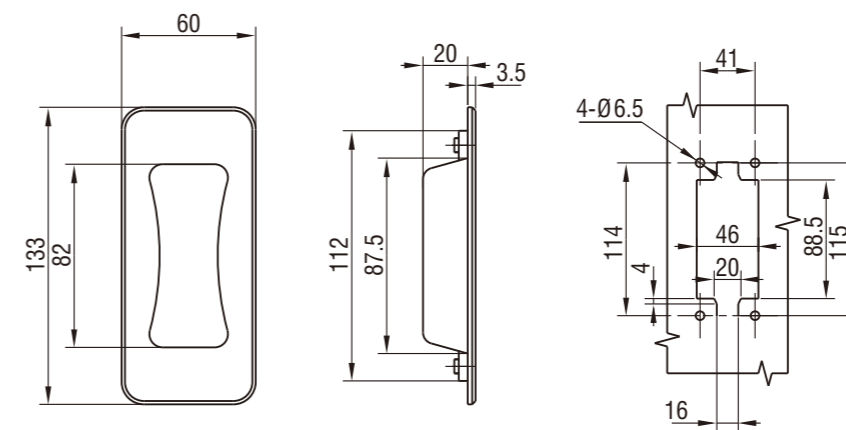
Stainless steel

6604-02



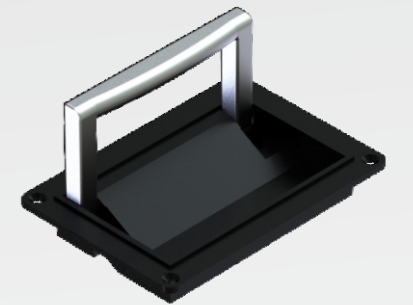
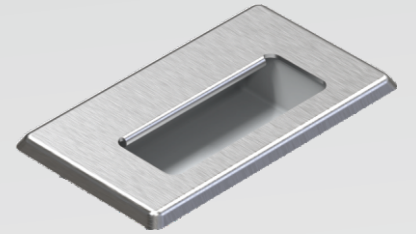
Zinc die, black powder coated

6606-02



Zinc die, black powder coated

6616-02-40



NEW

