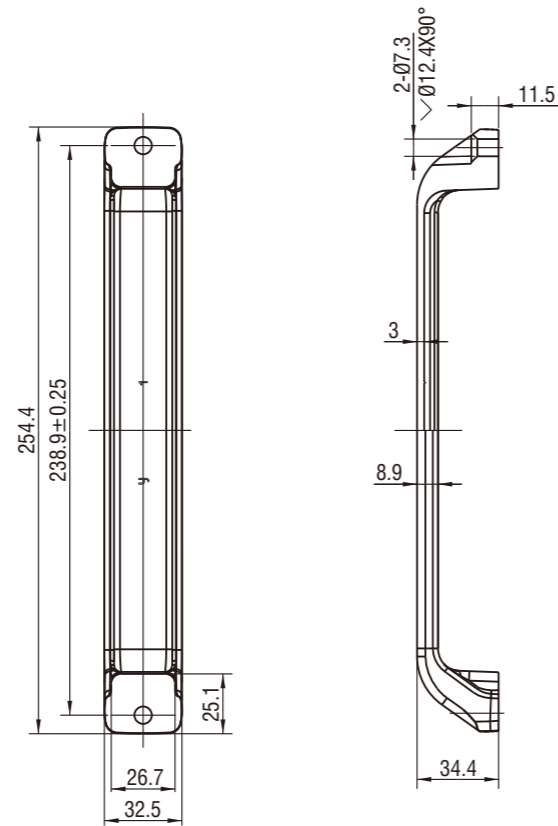




U shape Handle

6412, 6424

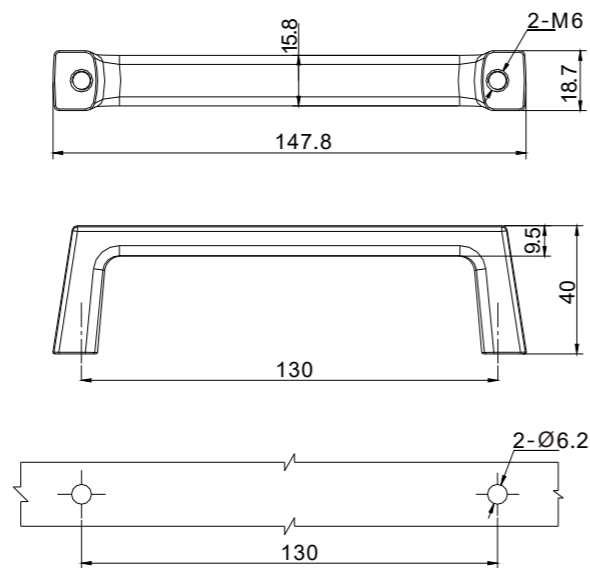


Zinc die, black smooth powder coated

Center Distance

L=238.85

6412-478-20



Panel Cutout

Aluminium alloy, powder coated RAL 7001

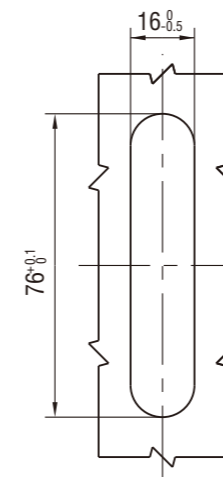
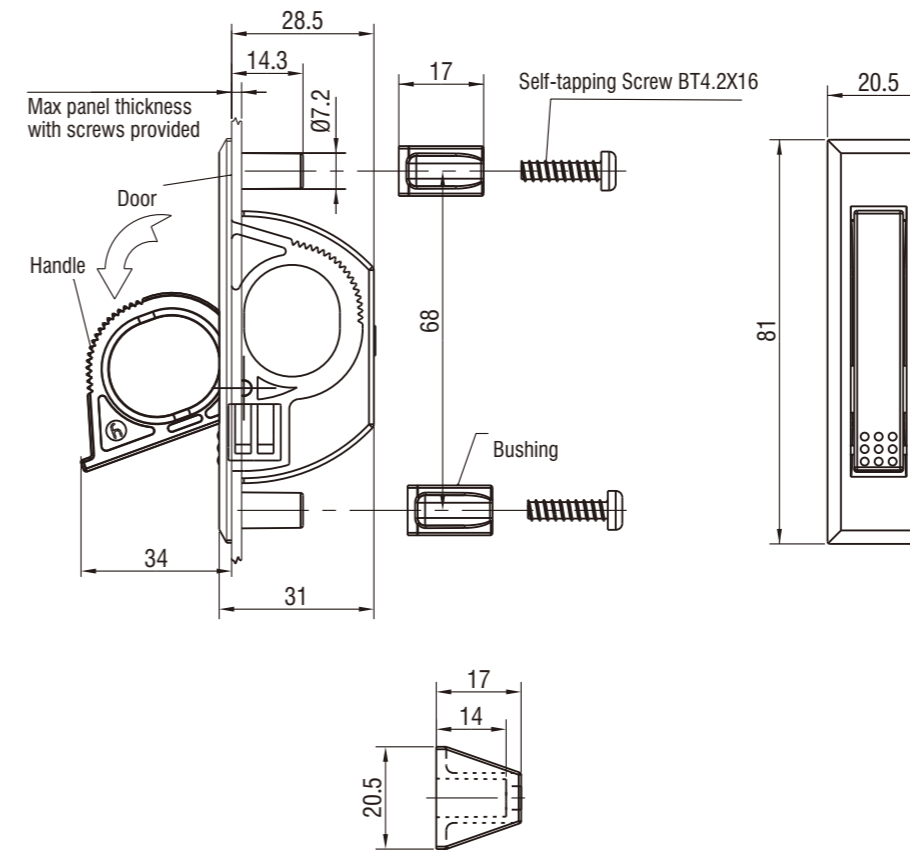
Center Distance

L=130

6424-260-126

Concealed Pull Assembly

6414



Panel Cutout

Pa6 handle and housing, POM bushing, SUS304 self-tapping screw and pin, black finish

Middle Size

6414-136-180