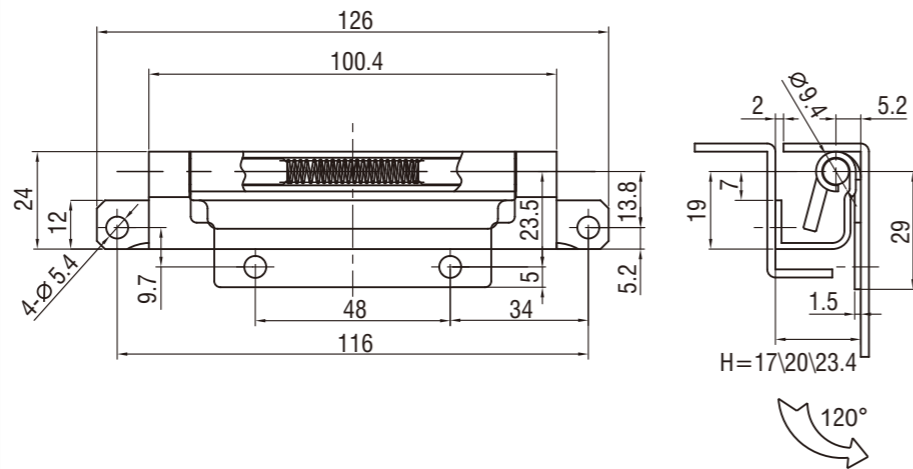


# Concealed Hinge

4820, 4822

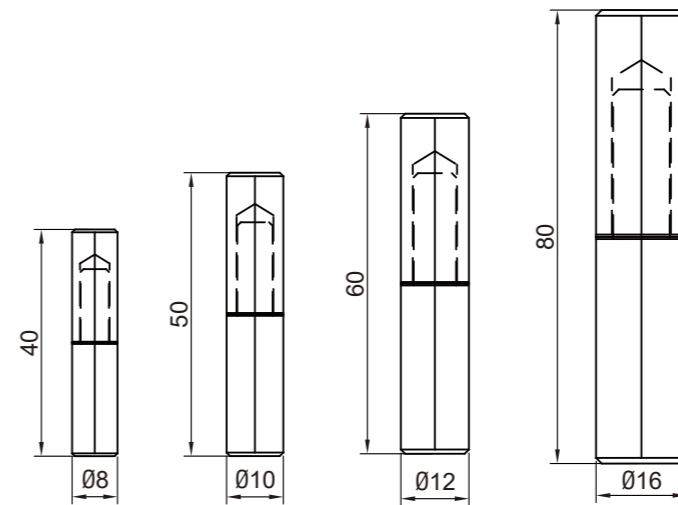
# Concealed Hinge

4824, 4828



M.S. zinc plated or stainless steel

Height	SUS 304	Steel
H=17	4820-34-608	4820-34-02
H=20	4820-40-608	4820-40-02
H=23.4	4820-468-608	4820-468-02

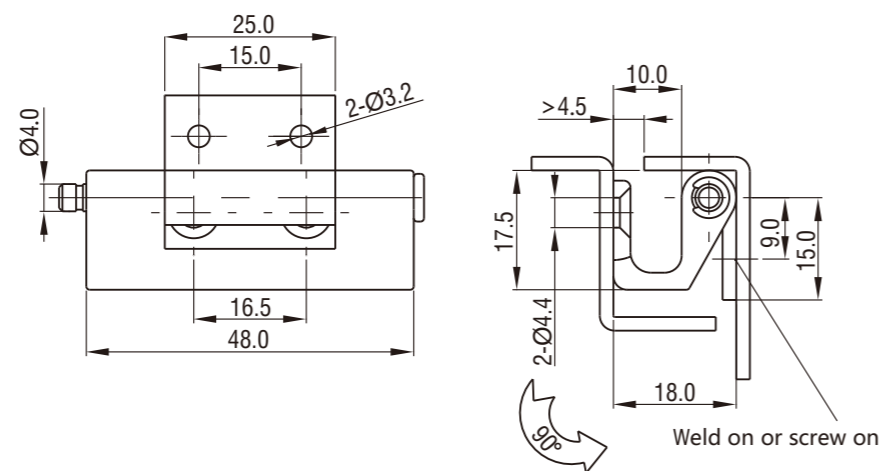


M.S. zinc plated or stainless steel

	L=40	L=50	L=60	L=80
SUS 304	4824-80-608	4824-100-608	4824-120-608	4824-160-608
Steel	4824-80-02	4824-100-02	4824-120-02	4824-160-02

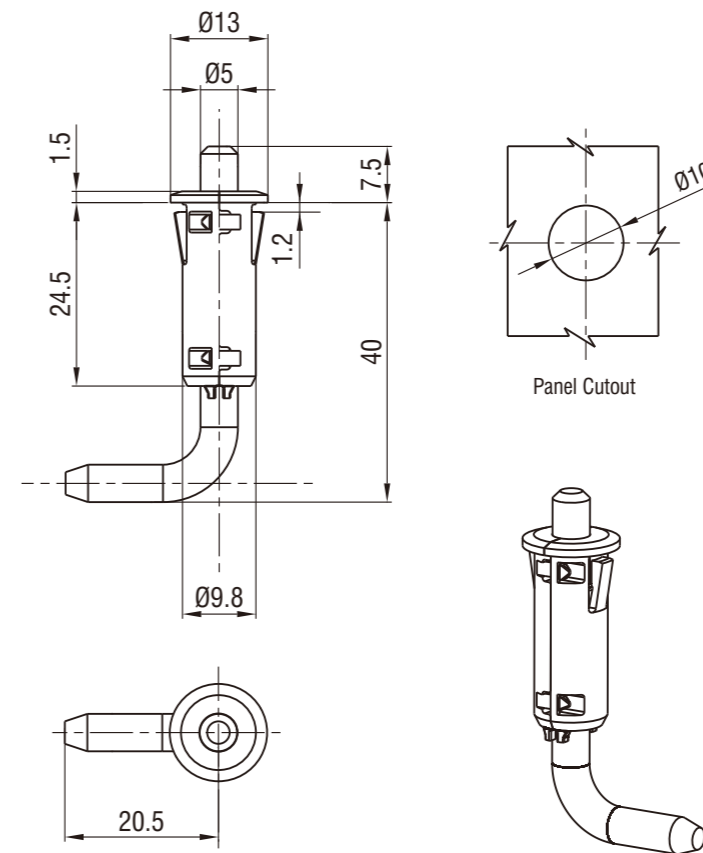


NEW



Zinc die, m.s. zinc plated or SUS pin, sand blasting nickel plated

4822-04-156



Black PA hinge, zinc die pin shaft

4828-02-180

