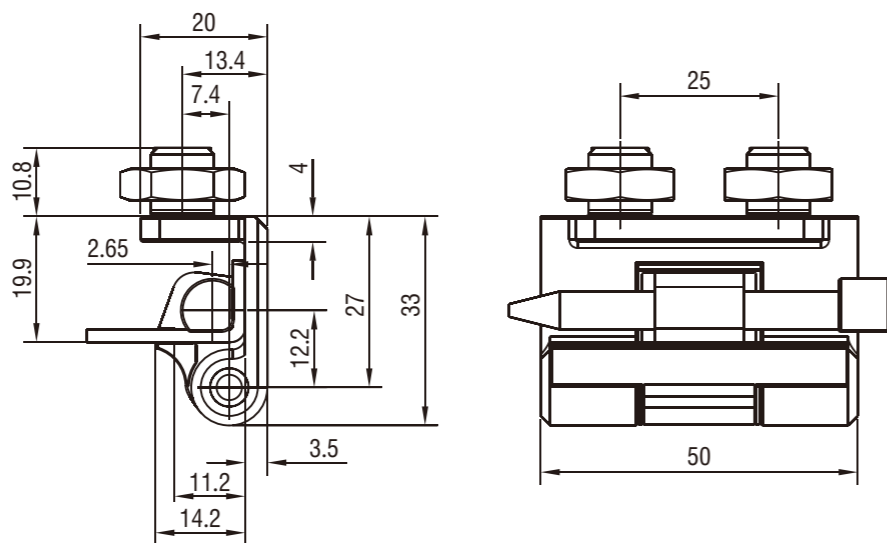


External Hinge

4660, 4664

External Hinge

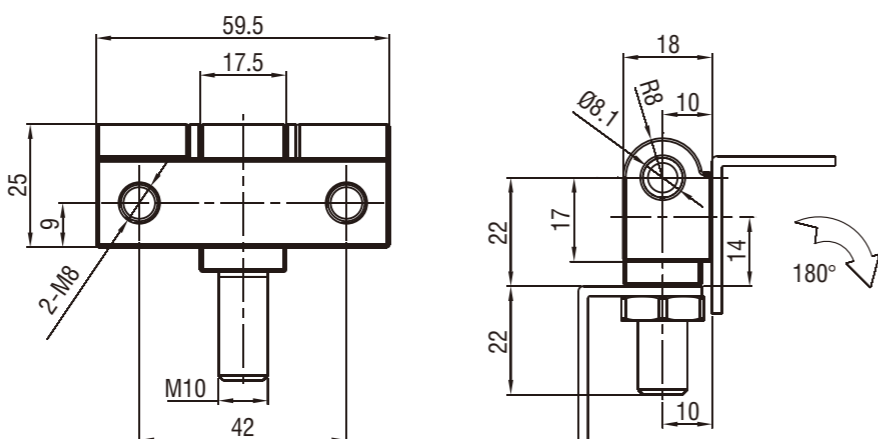
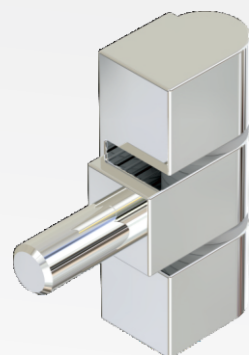
4676



Zinc die hinge, black textured powder coated, m.s. zinc plated pin

Black Textured Powder Coated

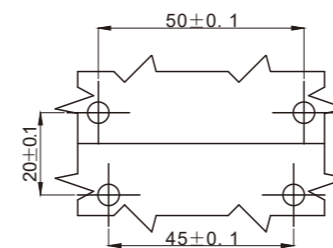
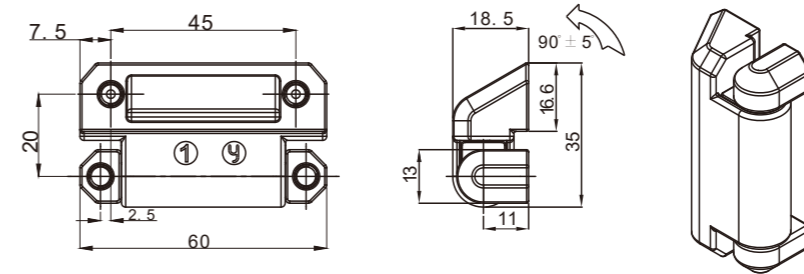
4660-1000-40



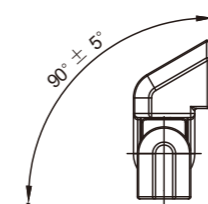
Zinc die, bright chrome plated, pin with m.s. zinc plated

Bright Chrome

4664-1190-60



Panel Cutout



Default state



NEW



Zinc screw-in torque hinge, SUS pin

N.m Symmetric N.m

	Black Textured Powder Coated	Gray
Free Operating	4676-12000-40	4676-12000-44
1.36	4676-12272-40	4676-12272-44
2.26	4676-12452-40	4676-12452-44
3.16	4676-12632-40	4676-12632-44
4.07	4676-12814-40	4676-12814-44

N.m Asymmetric N.m

Forward Torque N.m	Reverse Torque N.m	Black Textured Powder Coated	Gray
2.3	1.4	4676-1246F-40	4676-1246F-44
3.2	1.9	4676-1264F-40	4676-1264F-44
4.1	2.4	4676-1282F-40	4676-1282F-44
5	3	4676-1300F-40	4676-1300F-44
1.4	2.3	4676-1228R-40	4676-1228R-44
1.9	3.2	4676-1238R-40	4676-1238R-44
2.4	4.1	4676-1248R-40	4676-1248R-44
3	5	4676-1260R-40	4676-1260R-44

CYCLE LIFE:
Within 20,000 cycles static torque stay
Within +20% of torque specification