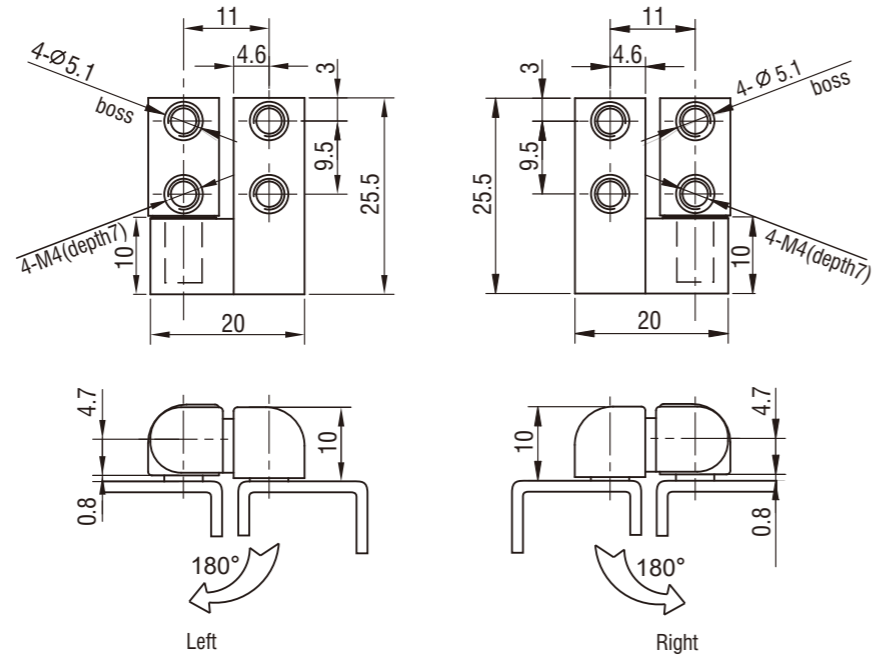


Lift-off Hinge

4402

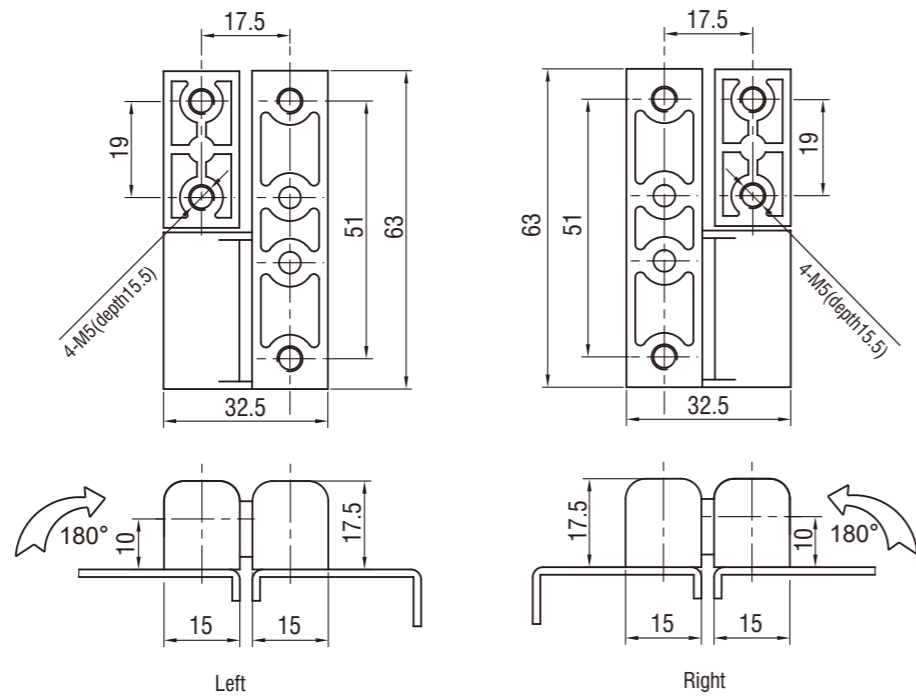
Lift-off Hinge

4402



Zinc die, black powder coated

Screw Hole M4		Screw Hole 6-32	
Version A(Left)	Version B(Right)	Version A(Left)	Version B(Right)
4402-282	4402-284	4402-222	4402-224



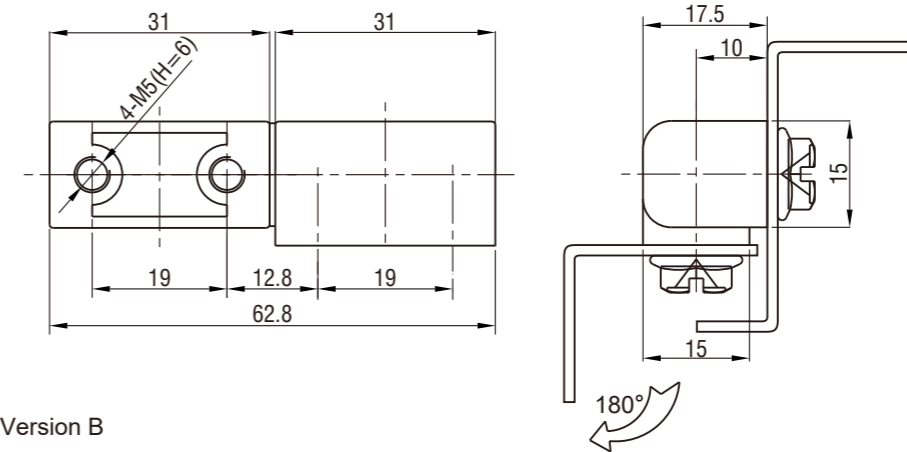
Zinc die, black smooth powder coated or bright chrome

10-32 thread is on request

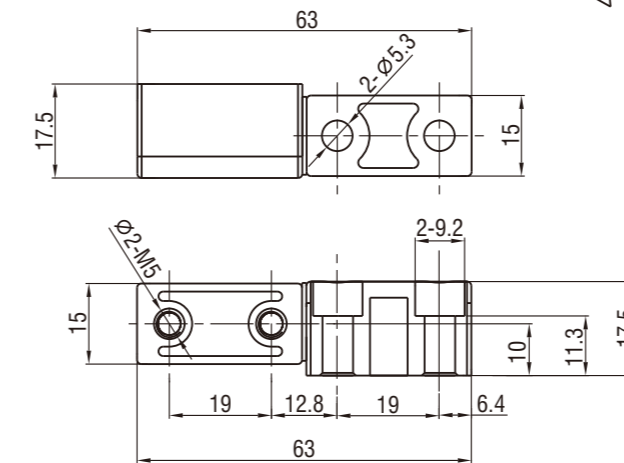
	Black Smooth Powder Coated	Bright Chrome
Version A (Left)	4402-1020-20	4402-1020-60
Version B (Right)	4402-1040-20	4402-1040-60

5.1

Version A

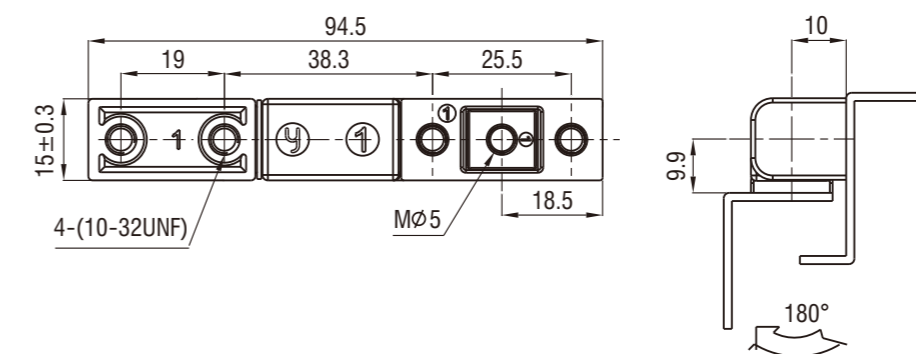


Version B



Zinc die, black smooth powder coated or bright chrome

	Black Smooth Powder Coated	Bright Chrome
Version A	4402-1000-20	2201-1000-60
Version B	4402-1002-20	2201-1002-60



Zinc die, black textured powder coated or bright chrome

Install Style	Tapped Hole	Black Textured Powder Coated	Bright Chrome
Front-mount	Thru hole	4402-1144-40	4402-1144-60
	M5X0.8	4402-1140-440	4402-1140-460
Concealed-mount	Hinge 10-32	4402-1140-240	4402-1140-260

