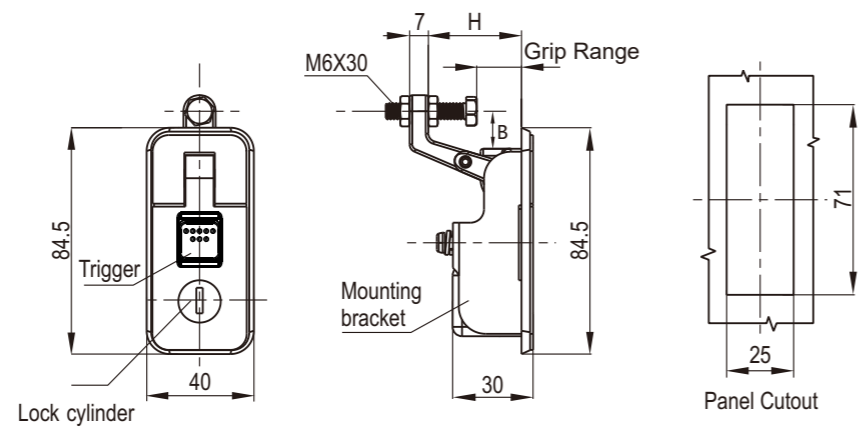
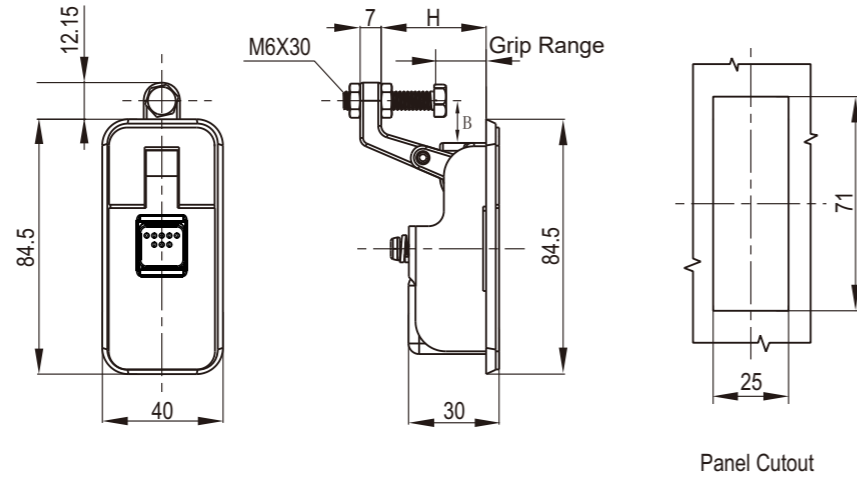


IP54

Lever Latch

2492



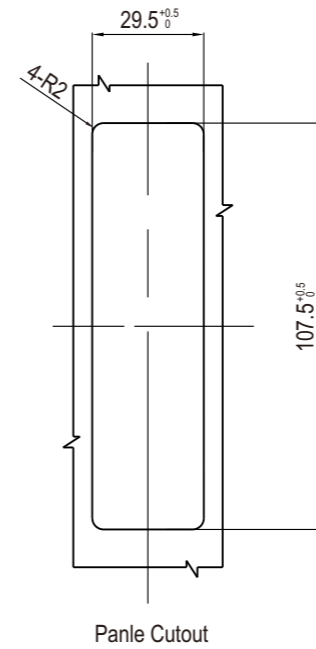
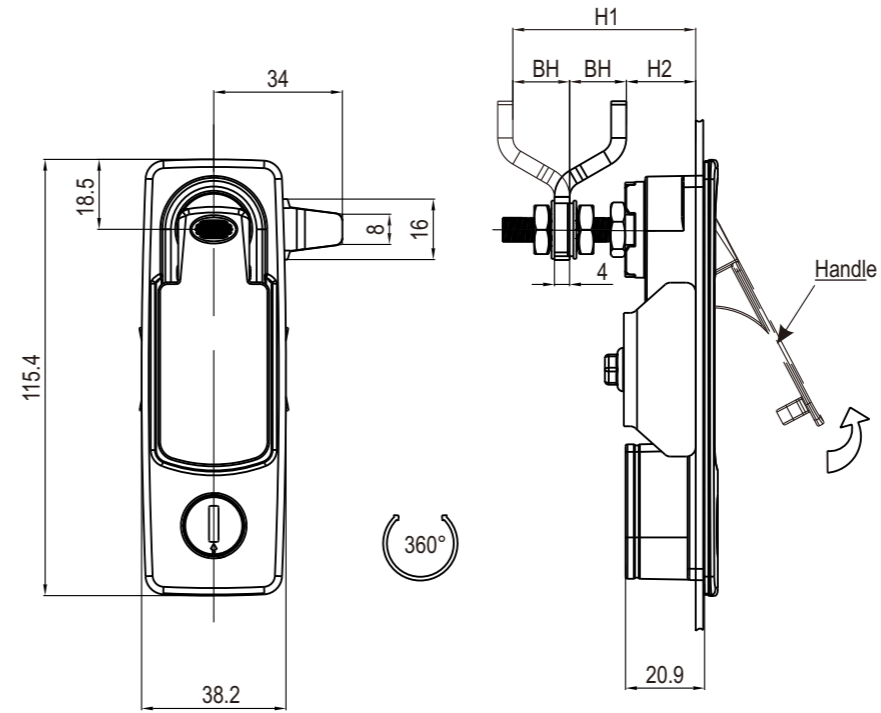
Remark
Keyed CH751

Zinc die handle, housing and trigger; m.s. zinc plated fixing parts

Panel Thickness	Grip Range	H	B	Black Smooth Powder Coated		Bright Chrome	
				Non-locking	Ch751 locking with shutter	Non-locking	Ch751 locking with shutter
1 to 11mm	1-25mm	36.50	13.50	2492-200-20	2492-220-20	2492-200-80	2492-220-80
1 to 11mm	15-30mm	40.00	28.50	2492-400-20	2492-420-20	2492-400-80	2492-420-80

Compression Latch

2494



Zinc die handle and housing; black smooth powder coated or bright chrome; m.s. zinc plated cam

Grip-Range		2494 Key Locking	
Pawl Forward	Pawl Reversed	Black Smooth Powder Coated	Bright Chrome
6-16	56-66	2494-20-220	2494-20-260
16-26	46-56	2494-20-420	2494-20-460
26-36	36-46	2494-20-620	2494-20-660

IP65

