

Rod Control Swinghandle

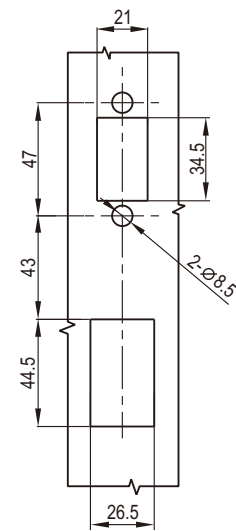
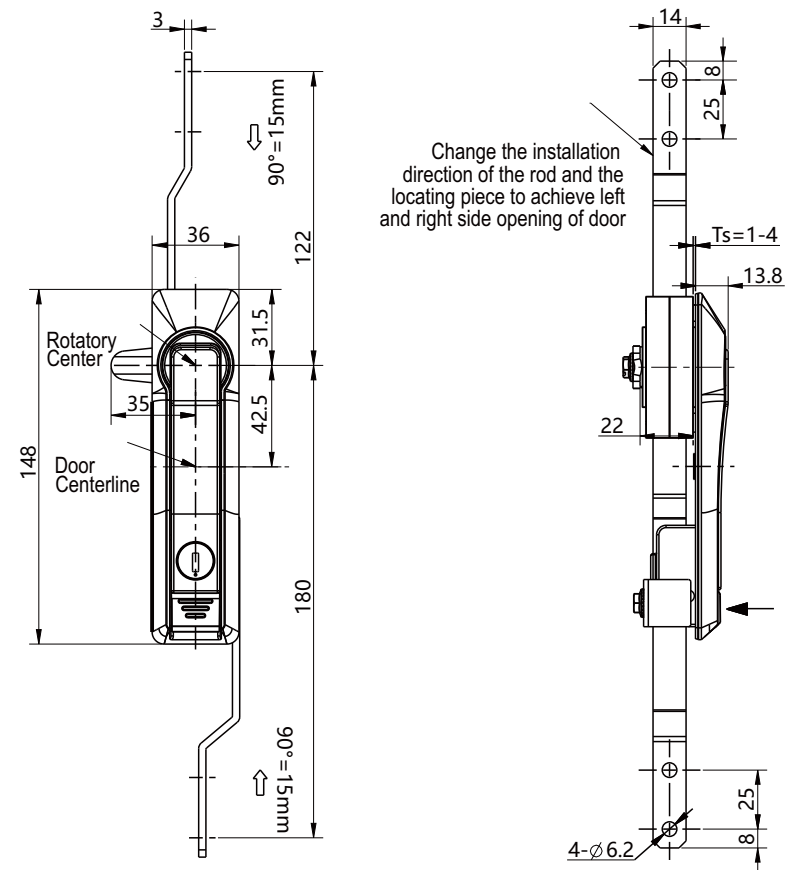
2208

Rod Control Swinghandle

2210

Index

Locks



Panel Cutout

Zinc die body, black smooth powder coated or NM spray painting(matte silver)

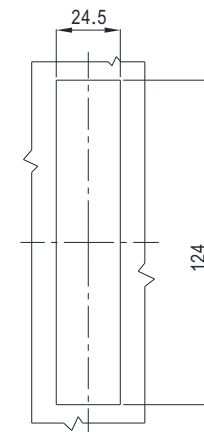
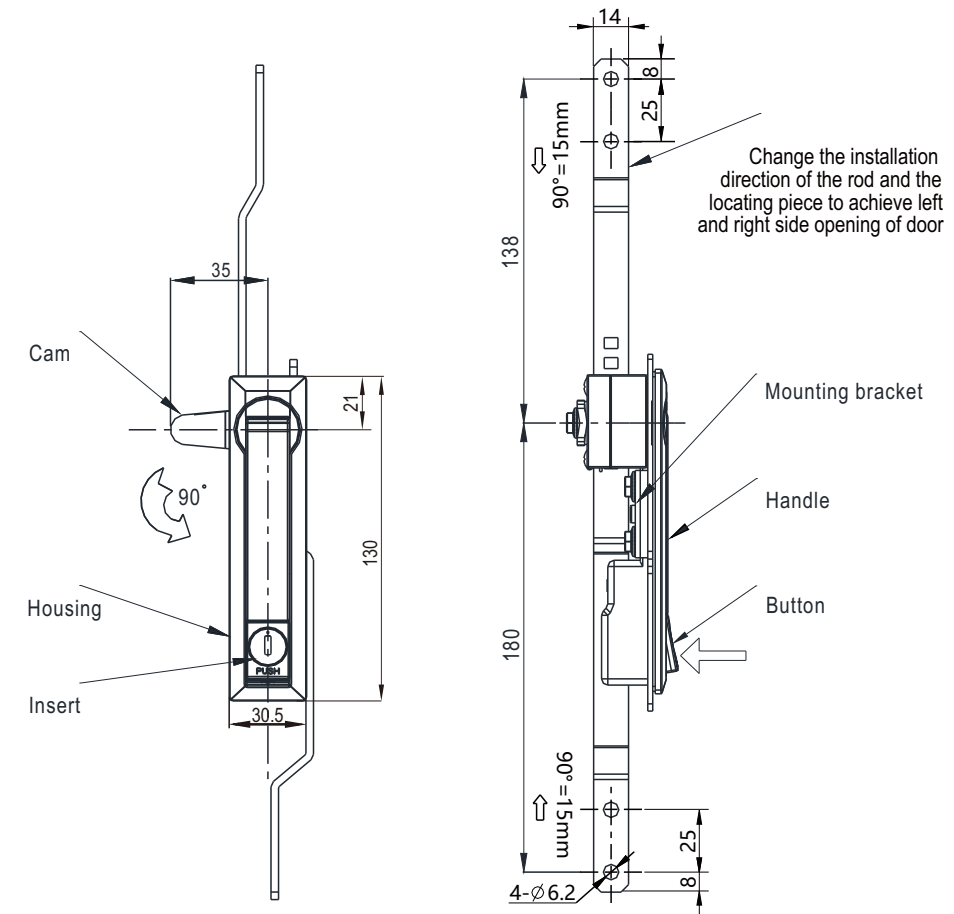
Version A(Cam control)		Version B(2P.rod control)		Version C(3P.rod control)	
NM spray painting (matte silver)	Black Smooth Powder Coated	NM spray painting (matte silver)	Black Smooth Powder Coated	NM spray painting (matte silver)	Black Smooth Powder Coated
2208-2002-104R	2208-2002-20R	2208-4002-104R	2208-4002-20R	2208-6002-104R	2208-6002-20R

Remark

1. Turn the handle right to open by default

Index

Locks



Panel Cutout

Zinc die body, black smooth powder coated or NM spray painting(matte silver)

Version C(3P.rod control)	
NM spray painting(matte silver)	Black Smooth Powder Coated
2210-6202-104	2210-6202-20