

# Lever Handle Lock

2244

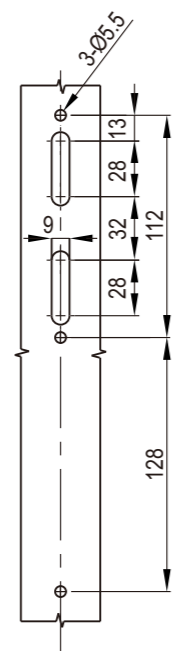
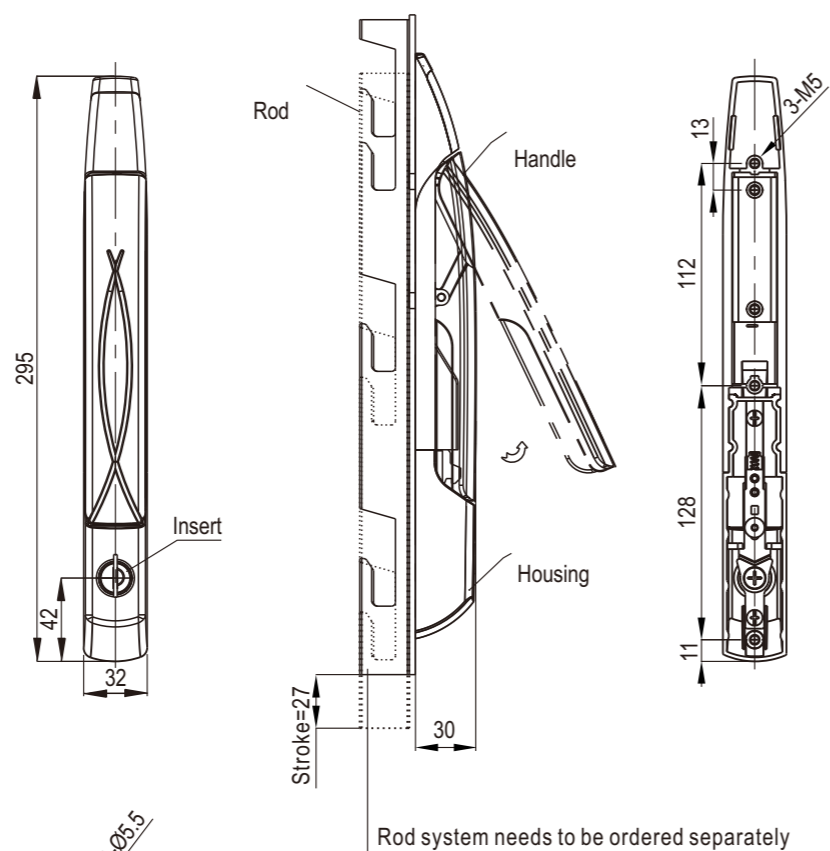
# Rod Control Swinghandle

2248

Index

Locks

RL IP40



Panel Cutout



Double Bit 4mm

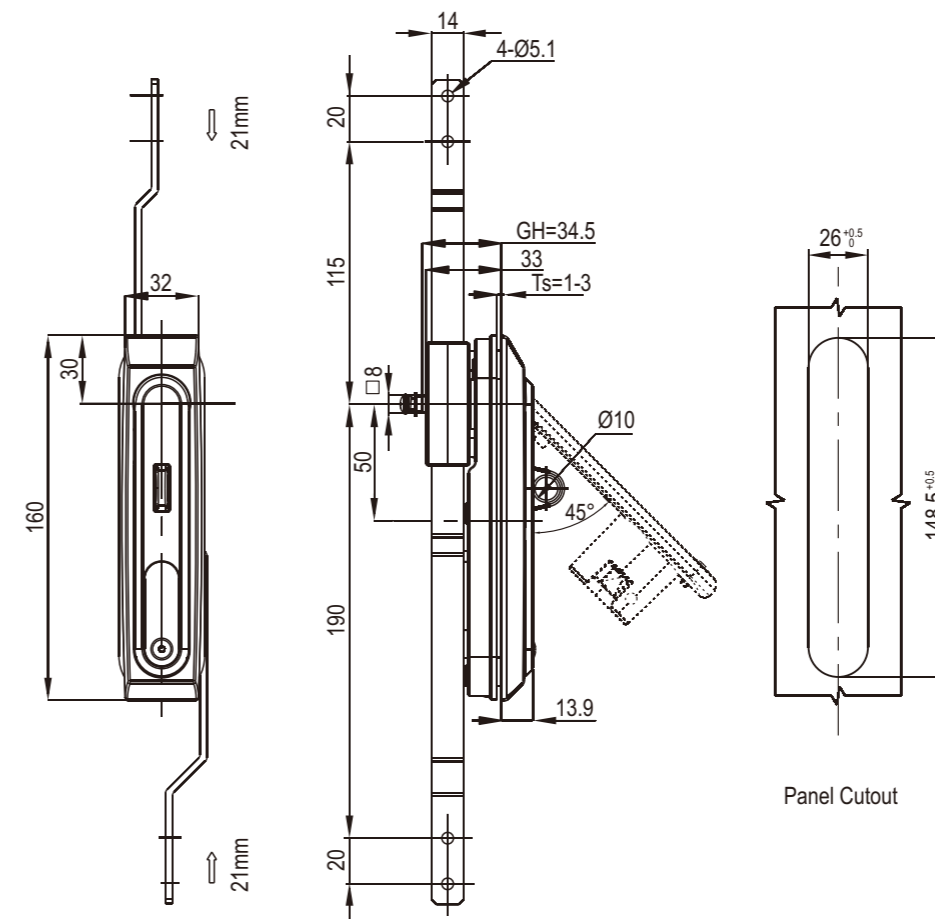
Zinc die, SUS mounting bracket, push plate, baffle plate and pin, black textured powder coated or yellow-grey powder coated (RAL7032)

Cylinder style	Black Textured Powder Coated	Powder Coated RAL7032
1122 Key	2244-4002-40	2244-4002-64
Double Bit 4mm	2244-4028-40	2244-4028-64

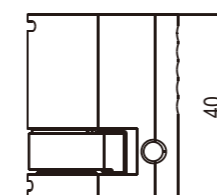
Index

Locks

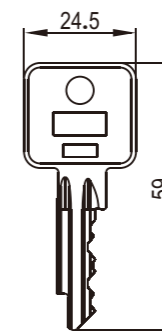
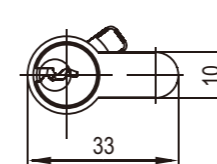
RL IP65



Panel Cutout



Default profile cylinder



Default key

Zinc die lock body, black finish, stainless steel rod control, padlock device

Version B ( 2P.rod control)	Version C ( 3P.rod control)
Without padlock	Padlockable
2248-4P02-110	2248-6P02-110-P

Remark

1. Padlockable on request
2. Interchangeable profile cylinder



Under development, shall be available on December, 2022.