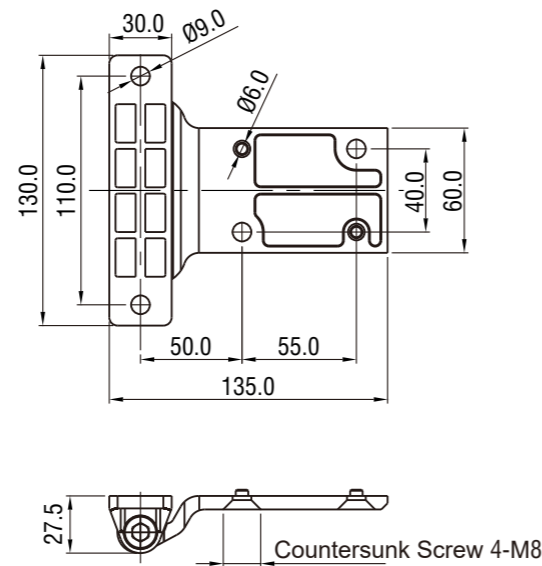


# Screw-on Hinge

4244, 4248

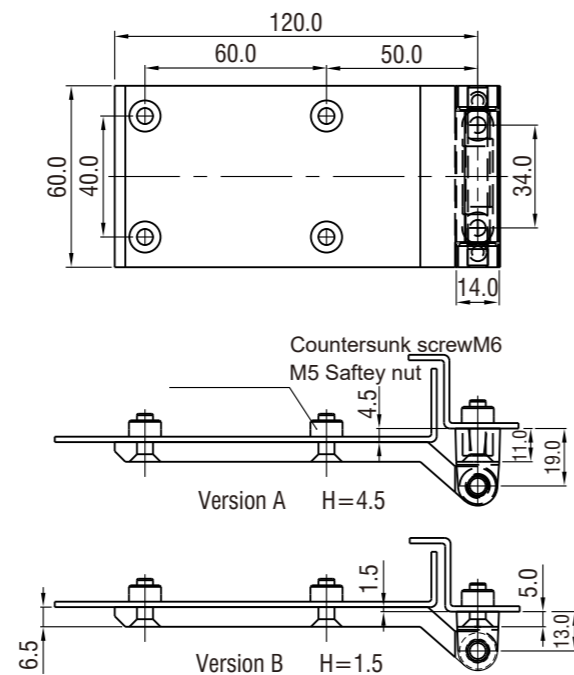
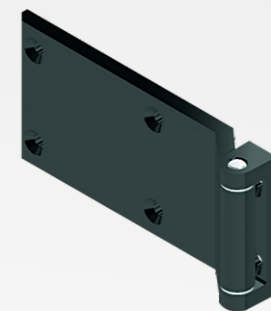
# Screw-on Hinge

4246



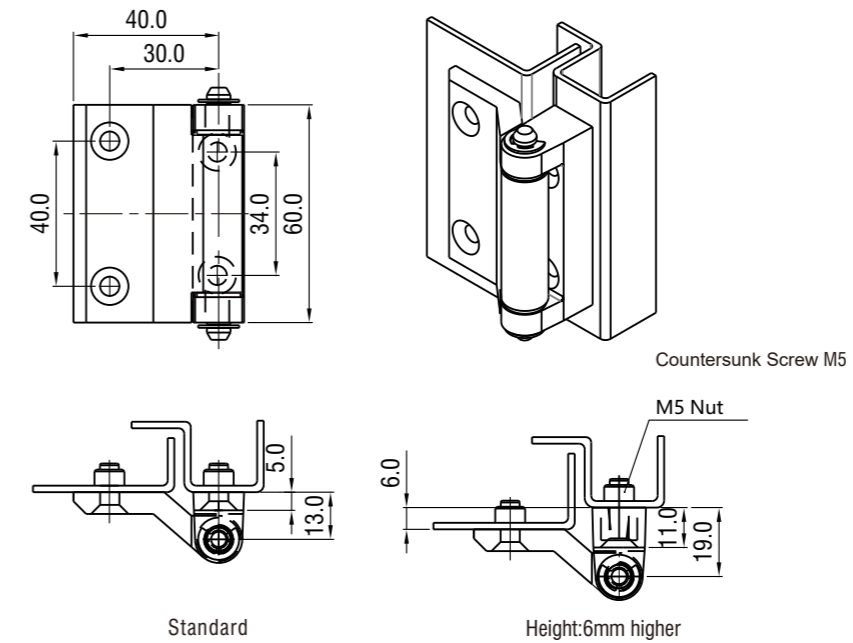
3D-screw-on hinge zinc die, pin stainless steel

Finish	Left	Right
Black Textured Powder Coated	4244-02-40L	4244-02-40R



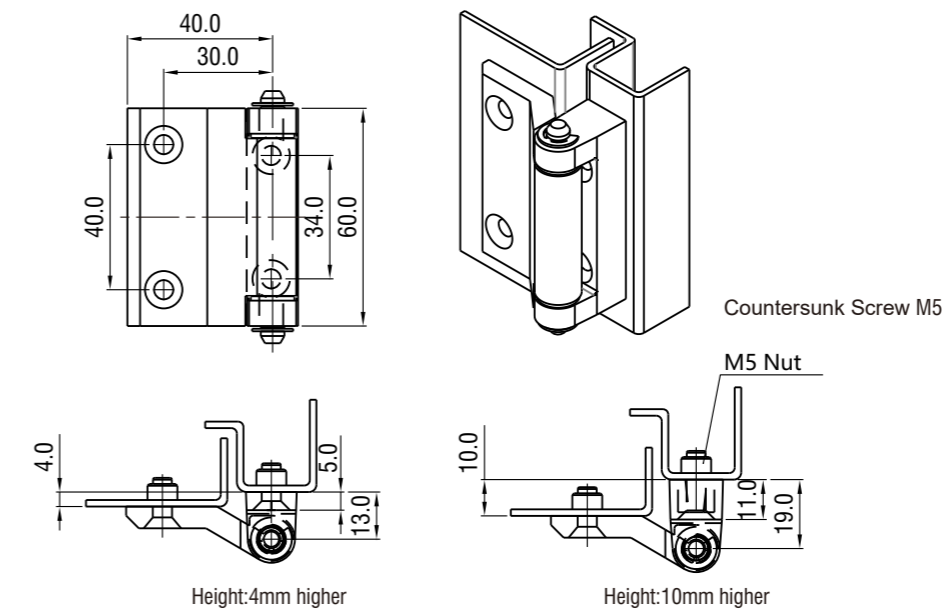
Screw-on hinge zinc die, pin stainless steel and bush polyamide

Finish	Version A	Version B
Black Textured Powder Coated	4248-02-40	4248-04-40



Screw-on hinge zinc die, SUS pin

Finish	U4.5 Level	U27.28 6mm Higher
Black Textured Powder Coated	4246-02-40	4246-04-40
Bright Chrome	4246-02-60	4246-04-60
SUS 316	4246-02-632	



Screw-on hinge zinc die, SUS pin

Finish	U7.10 4mm Higher	U19.20 10mm Higher
Black Textured Powder Coated	4246-06-40	4246-08-40
Bright Chrome	4246-06-60	4246-08-60

