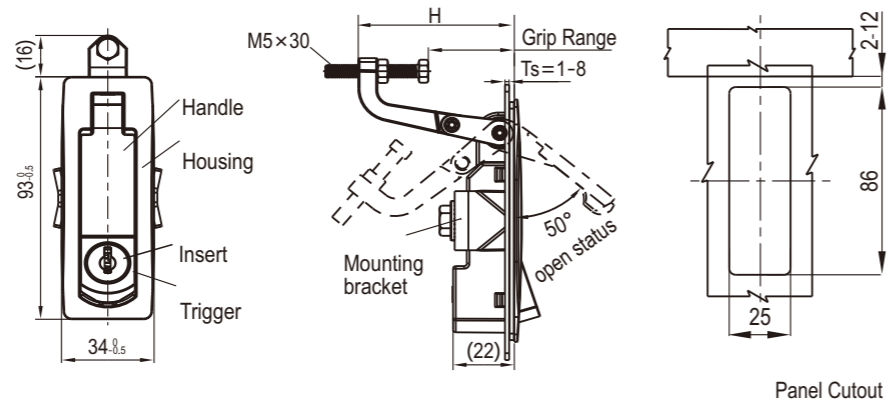
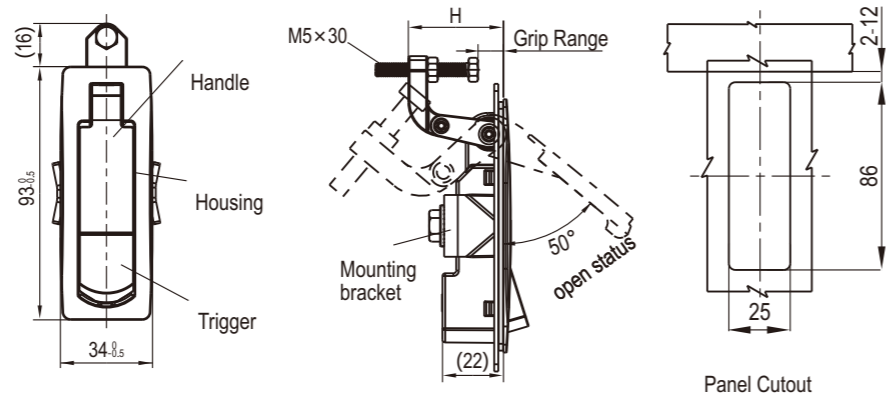
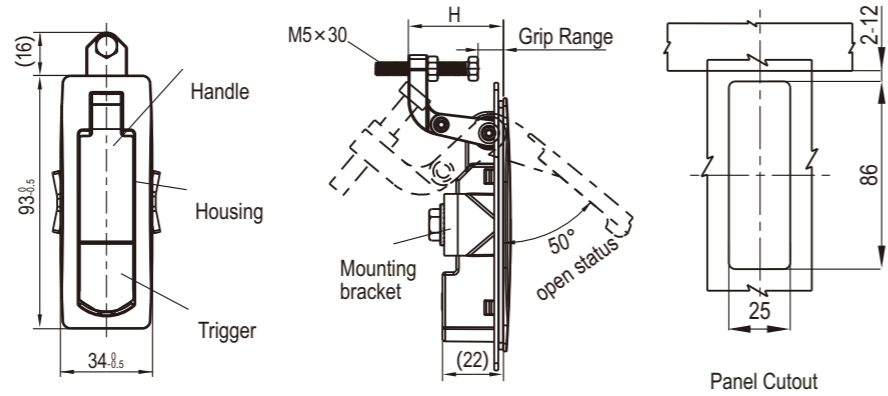


**IP65** **NEW**



Remark  
Keyed CH751 key

Zinc die handle, housing and trigger, black smooth powder coated or bright chrome; m.s. zinc plated fixing parts

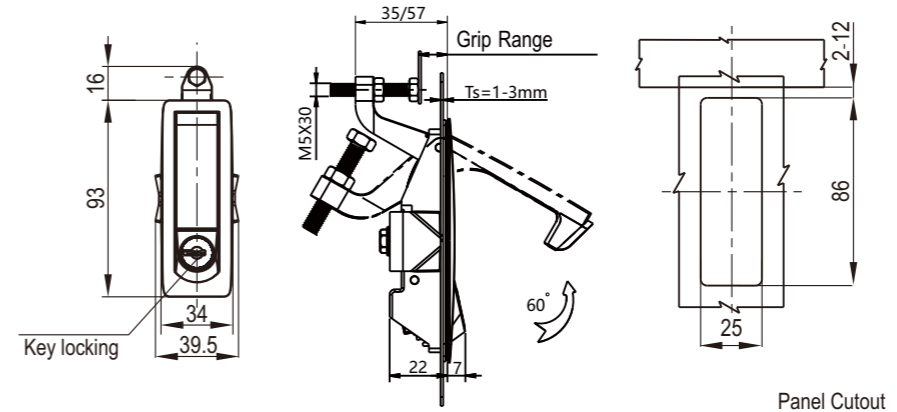
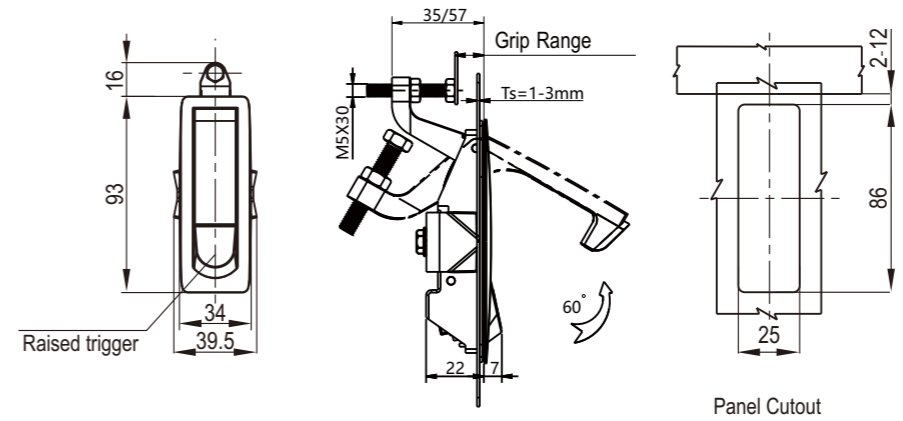
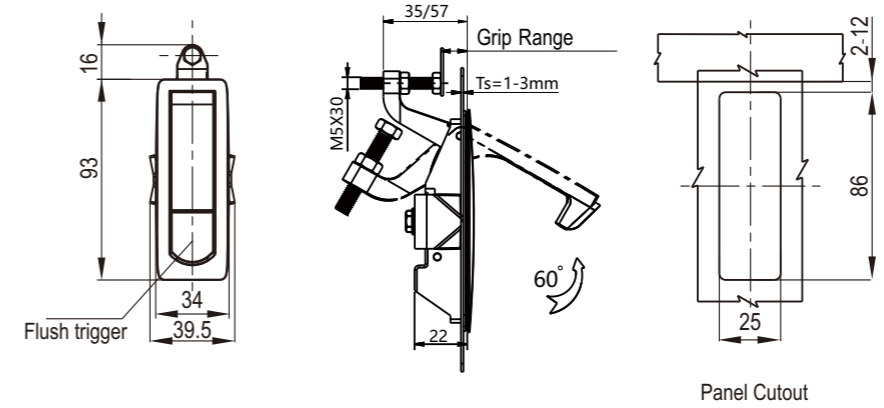
Grip-Range	1~24		23~46	
	Short Arm		Longer Arm	
Trigger Style	Black Smooth Powder Coated	Bright Chrome	Black Smooth Powder Coated	Bright Chrome
Non-locking raised trigger	2484-A248-20	2484-A248-60	2484-A292-20	2484-A292-60
Non-locking Flush trigger	2484-A448-20	2484-A448-60	2484-A492-20	2484-A492-60
(CH751) Key locking	2484-A648-20	2484-A648-60	2484-A692-20	2484-A692-60
Tooling-Secured	2484-A1048-20	2484-A1048-60	2484-A1092-20	2484-A1092-60
CH751 key locking, with shutter	2484-A1248-20	2484-A1248-60	2484-A1292-20	2484-A1292-60
Hexagon female 4mm	2484-A1448-20	2484-A1448-60	2484-A1492-20	2484-A1492-60
Female square 8.5mm	2484-A1648-20	2484-A1648-60	2484-A1692-20	2484-A1692-60

# Lever Latch

2484

# Lever Latch

2484



**IP40**



Remark  
Keyed CH751 key

Zinc die handle, housing and trigger, black smooth powder coated or bright chrome; m.s. zinc plated fixing parts

Grip-Range	1~24		23~46	
	Short Arm		Longer Arm	
Trigger Style	Black Smooth Powder Coated	Bright Chrome	Black Smooth Powder Coated	Bright Chrome
Non-locking raised trigger	2484-248-20	2484-248-60	2484-292-20	2484-292-60
ush trigger	2484-448-20	2484-448-60	2484-492-20	2484-492-60
(CH751) Key locking	2484-648-20	2484-648-60	2484-692-20	2484-692-60
Tooling-Secured	2484-1048-20	2484-1048-60	2484-1092-20	2484-1092-60
CH751 key locking, with shutter	2484-1248-20	2484-1248-60	2484-1292-20	2484-1292-60
Hexagon female 4mm	2484-1448-20	2484-1448-60	2484-1492-20	2484-1492-60
Female square 8.5mm	2484-1648-20	2484-1648-60	2484-1692-20	2484-1692-60