

Concealed Hinge

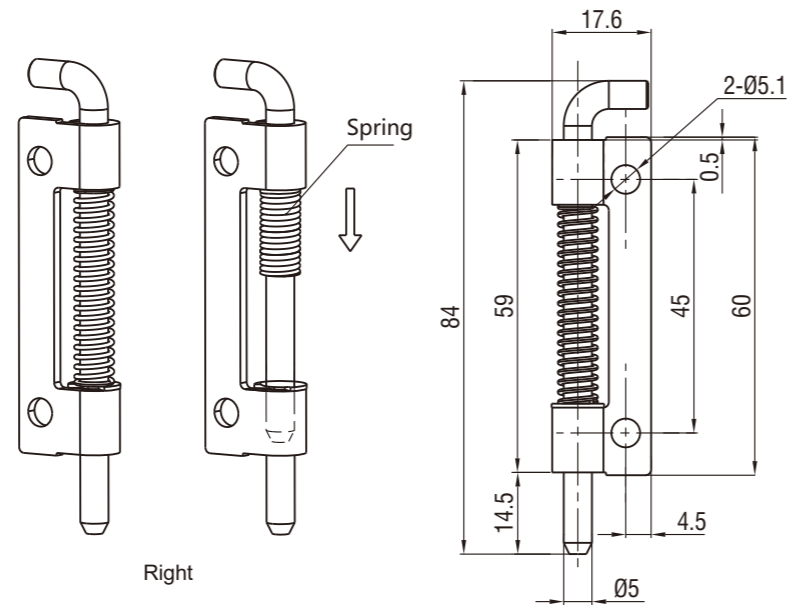
4808

Concealed Hinge

4808, 4810

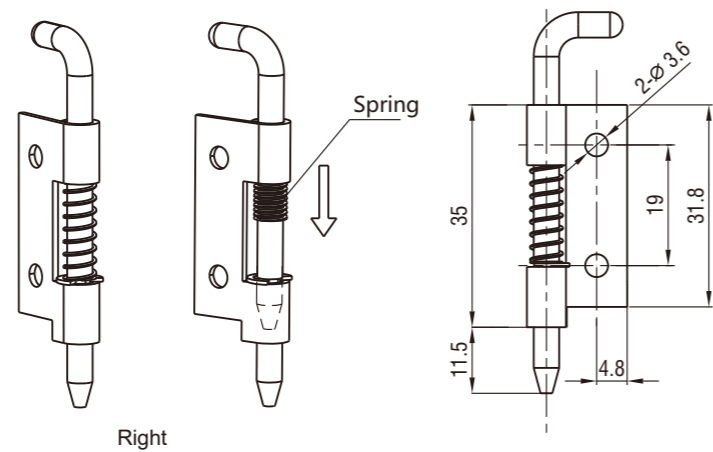


Large size



Right

Small size

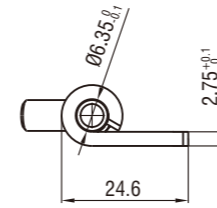


Right

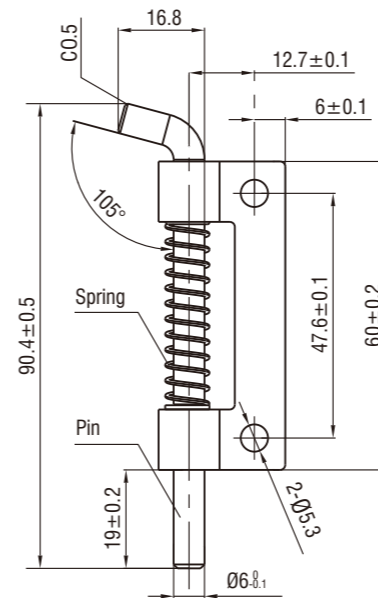
M.S. zinc plated

SUS material upon request

	Screw on version		Weld on version	
	Left	Right	Left	Right
Large size	4808-02-L	4808-02-R	4808-22-L	4808-22-R
Small size	4808-04-L	4808-04-R	4808-24-L	4808-24-R



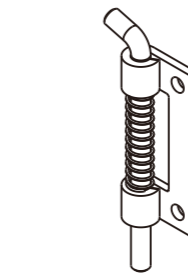
Example of application



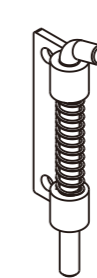
Bearing washer

View from inside

pull pin against the spring to remove door



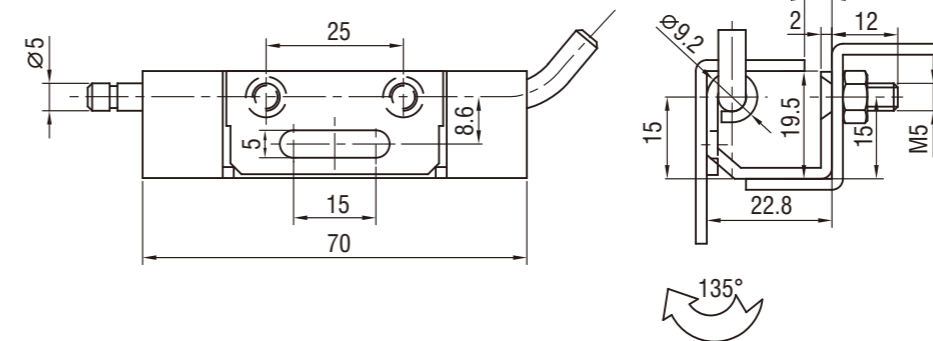
Assembled in the right door



Assembled in the left door

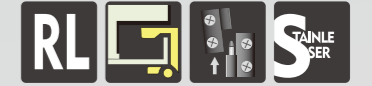
M.S. zinc plated or stainless steel

	Screw on version	
	Left	Right
M.S. zinc plated	4808-08-02L	4808-08-02R
SUS 304	4808-08-608L	4808-08-608R



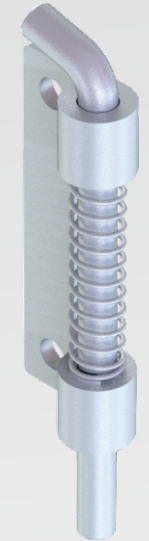
M.S. zinc plated

4810-02



Index

Hinges



NEW

