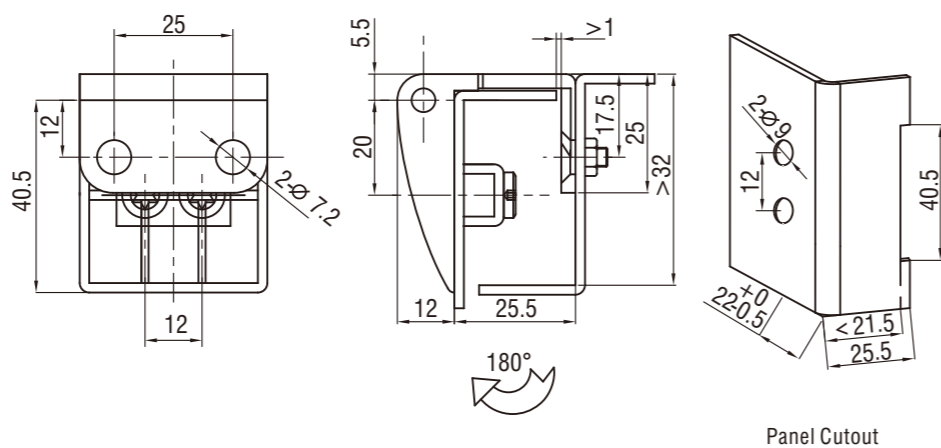


A Sectional view

Panel Cutout

Zinc die, m.s. zinc plated or SUS pin, black smooth powder coated

Black Smooth Powder Coated	4618-20
----------------------------	---------



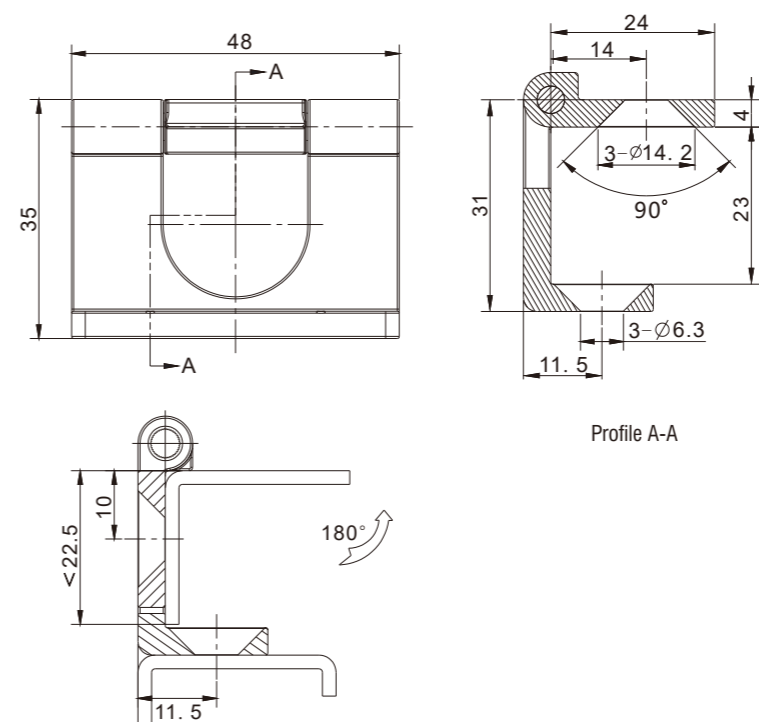
Panel Cutout

Zinc die, m.s. zinc plated or SUS pin, black smooth powder coated

Black Smooth Powder Coated	Bule Green Powder Coated	Black-Ripple Powder Coated
4620-04-20	4620-04-120	4620-04-140

External Hinge

4622, 4624



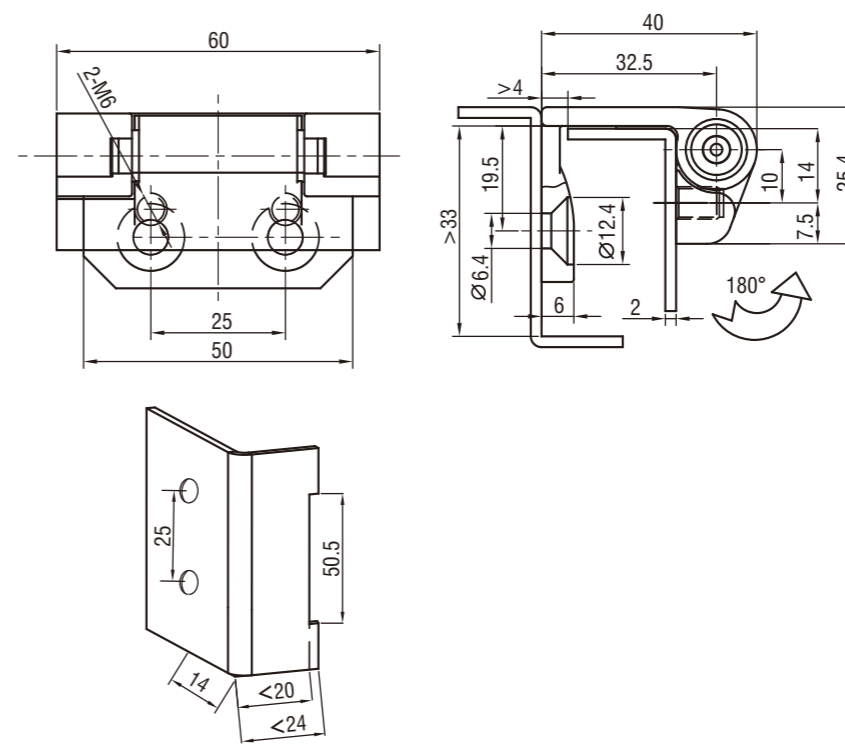
Profile A-A

Zinc die, m.s. zinc plated or SUS pin, black smooth powder coated

Black Smooth Powder Coated	4622-04-20
----------------------------	------------



NEW



Panel Cutout

Zinc die, PA pin, black textured powder coated

Black Textured Powder Coated	4624-40
------------------------------	---------