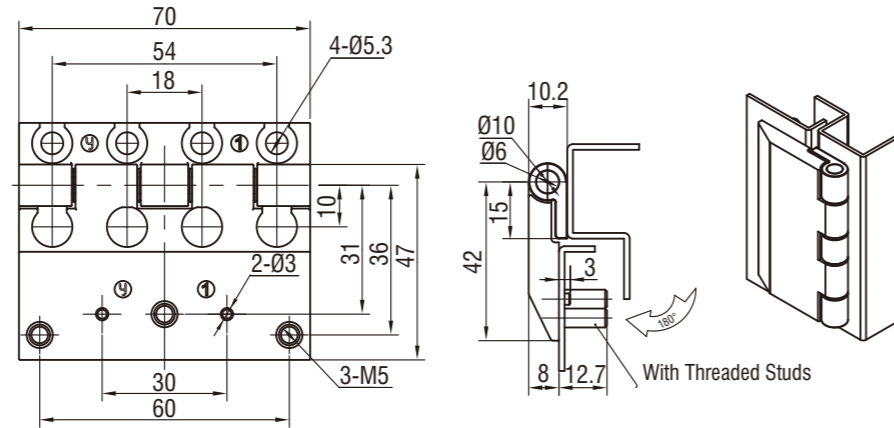


# Screw-on Hinge

4250, 4252

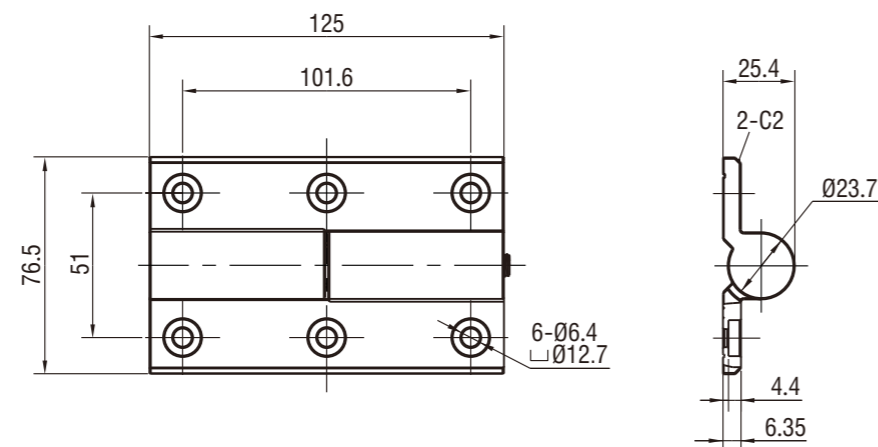
# Screw-on Torque Hinge

4254, 4266



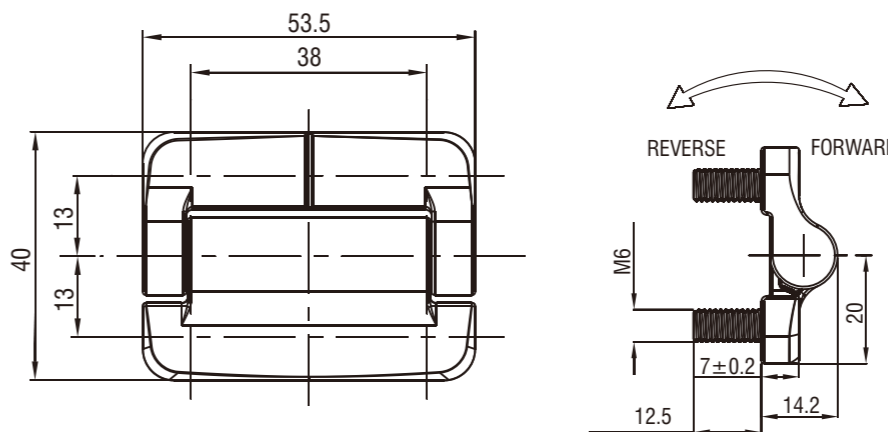
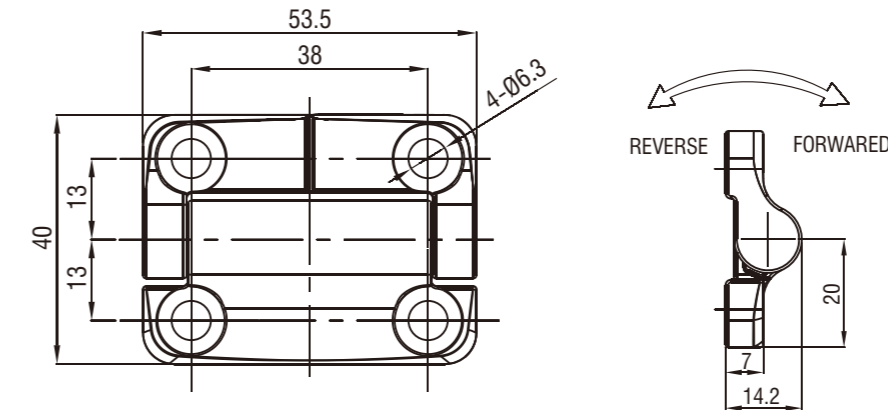
Zinc die, SUS pin and with threaded studs, black textured powder coated or NM spray painted (matte silver)

Finish	With Threaded Studs M5
Black Textured Powder Coated	4250-1402-40
NM spray painted (matte silver)	4250-1402-104



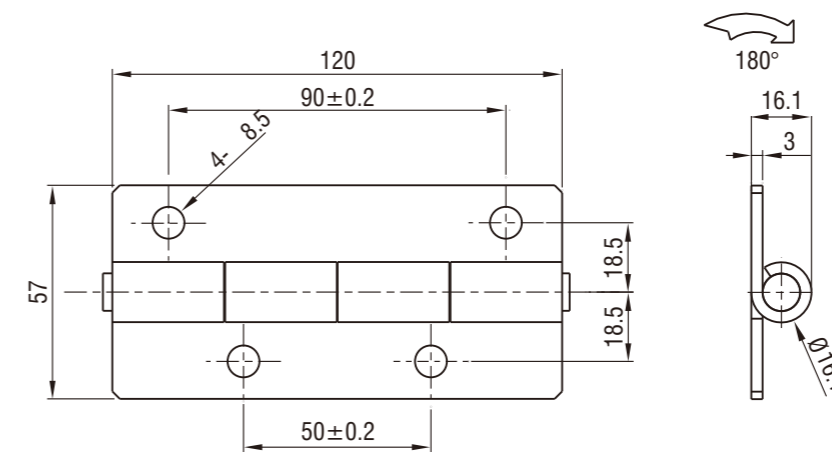
Zinc die, SUS pin and screw, black smooth powder coated or grey textured powder coated RAL7005

Finish	Countersunk Screw-on Hinge M6	
	Left Handle	Right Handle
Black Smooth Powder Coated	4252-1530-20L	4252-1530-20R
Grey Textured Powder Coated RAL7005	4252-1530-106L	4252-1530-106R



Zinc screw-on torque hinge, SUS pin

N.m Symmetric N.m	Screw-on Hinge	M6 threaded Studs M6
	Black Textured Powder Coated	Black Textured Powder Coated
1.8	4254-10360-40	4254-10362-40
2.3	4254-10460-40	4254-10462-40
3.4	4254-10680-40	4254-10682-40



SUS304 Material

SUS304	4266-240-608
--------	--------------



NEW